

2009 BMW  
5 Series Sedan

528i  
528i xDrive  
535i  
535i xDrive  
550i



The Ultimate  
Driving Machine®



Revolutionary performance and surpassing style.

**Above. Beyond. Ahead.**



Powerfully moving ideas.

**Think fast.**



Manual, STEPTRONIC automatic, or Sport Automatic 6-speed transmission?

**Choice driving.**



Color, upholstery and comfort features are only the beginning.

## **Personalized performance.**





Hands-on style.

**It just feels right.**



Welcoming interior high performance.

**The art of engineering comfort.**



Inviting luxury and comfort.

**Going in style.**

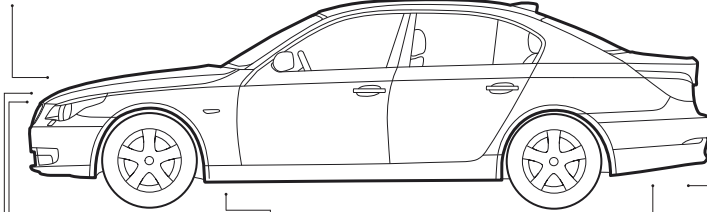


## This is how much has gone in.

At BMW, we create dynamic vehicles that thrill you with quick acceleration, predictable handling and unshakable control. We are also busy finding ways to sustain this level of performance while incorporating innovative fuels and technologies to help preserve the environment. This is what we refer to as "EfficientDynamics." This goal has led to the visionary CleanEnergy hydrogen-powered engine, which is currently used in the BMW Hydrogen 7 Sedan. BMW Advanced Diesel with BluePerformance, which offers diesel power with quick acceleration, increased fuel efficiency and reduced emissions, is being introduced to the U.S. in 2009. In fact, every BMW on the road today comes standard with technology that boosts performance while simultaneously reducing fuel consumption and CO<sub>2</sub> emissions.

### Double-VANOS

VANOS is BMW's valve timing system that can "steplessly" vary the points in the combustion cycle when valves open and close. Double-VANOS refers to the fact that it operates on both the intake and exhaust camshafts. Electronically controlled in response to engine speed, load and temperature, VANOS reduces emissions, and enhances low- to medium-speed torque, as well as fuel efficiency.



### Valvetronic

Instead of using a traditional throttle, Valvetronic technology in the 528i and 550i lets the engine breathe more easily by varying the lift height of the valves to regulate air intake. The result: improved cold starts, smoother running, and a significant drop in fuel consumption. Using revolutionary technology such as this, BMW has improved its overall average fuel economy more than any other manufacturer.

### Efficient transmissions

The 5 Series Sedan offers a choice of three 6-speed transmissions: a smooth-shifting manual, and two fuel-efficient automatics – the STEPTRONIC automatic and the Sport Automatic.

### Lightweight construction

Our engineers use lightweight aluminum throughout our vehicles – in the front section, for example, or for the suspension. BMW's inline six-cylinder twin-turbo engine is all aluminum; the naturally aspirated inline six is an aluminum/magnesium composite – the lightest in its class. Taken together, these weight savings lead to lower fuel consumption and better axle load distribution for more agility – especially in curves.


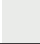





### Twin-turbocharged engine

Benefiting from BMW's twin-turbocharging technology, the 300-hp 535i delivers quick acceleration without any "turbo-lag." Fuel economy is strong, as well, thanks to precise piezo direct fuel injection.

## And this is what comes out.

BMW models have low CO<sub>2</sub> emissions today. But that's just for starters. We're carrying on our research in the quest to bring you greater driving pleasure, with fewer emissions and decreased fuel consumption.

## Recommended color combinations

Materials	Leatherette <sup>1</sup>		Dakota Leather <sup>2</sup>			
	Beige	Black	Cream Beige	Gray	Natural Brown	Black
<b>Upholstery colors<sup>3</sup></b>						
<b>Exterior color<sup>4</sup></b>						
<b>300</b> Alpine White Non-metallic <sup>5</sup>		•	•	•	•	•
<b>668</b> Jet Black Non-metallic <sup>5</sup>		•	•	•	•	•
<b>354</b> Titanium Silver Metallic <sup>5</sup>			•			•
<b>A68</b> Platinum Gray Metallic <sup>5</sup>			•			•
<b>A52</b> Space Gray Metallic <sup>5</sup>			•			•
<b>A53</b> Platinum Bronze Metallic <sup>6</sup>		•	•	•	•	•
<b>A76</b> Deep Sea Blue Metallic <sup>5</sup>		•	•	•	•	•
<b>A35</b> Monaco Blue Metallic <sup>6</sup>		•	•	•	•	•
<b>A43</b> Deep Green Metallic <sup>6</sup>		•	•	•	•	•
<b>416</b> Carbon Black Metallic <sup>7</sup>			•	•	•	•
<b>475</b> Black Sapphire Metallic <sup>6</sup>		•	•	•	•	•
<b>Interior trims</b>						
<b>438</b> Dark Poplar Wood <sup>8</sup>						
<b>437</b> Light Poplar Wood <sup>9</sup>						
<b>4BY</b> Bamboo Anthracite Wood <sup>9</sup>						

<sup>1</sup> Leatherette: Standard in 528i, 528i xDrive, 535i, 535i xDrive.

<sup>2</sup> Dakota Leather: Standard in 550i; optional in 528i, 528i xDrive, 535i, 535i xDrive and included in Premium Package.

<sup>3</sup> Upholstery and interior colors: Cream Beige Leather upholstery comes with Cream Beige interior color; Beige Leatherette upholstery comes with Beige interior color. Black Leather or Black Leatherette upholstery comes with Black interior color. Natural Brown Leather upholstery comes with a Black/Natural Brown color combination on the door panels and a gray headliner. Gray Leather upholstery comes with Gray interior color.

<sup>4</sup> Non-metallic exterior paints are standard; Metallic paints are available at no extra cost.

<sup>5</sup> Alpine White Non-metallic, Jet Black Non-metallic, Titanium Silver Metallic, Platinum Gray Metallic, Space Gray Metallic and Deep Sea Blue Metallic paints: Available as a no-cost option on all models, including 550i with or without optional Sport Package.

<sup>6</sup> Platinum Bronze Metallic, Monaco Blue Metallic, Deep Green Metallic and Black Sapphire Metallic paints: Available as a no-cost option on all models, except 550i when equipped with optional Sport Package.

<sup>7</sup> Carbon Black Metallic paint: Available only on 550i with optional Sport Package.

<sup>8</sup> Dark Poplar Wood trim: Standard in all models.

<sup>9</sup> Light Poplar Wood and Bamboo Anthracite Wood trims: No-cost option.

■ Standard equipment

□ Optional equipment



■ /□ **Xenon Adaptive Headlights**<sup>1</sup> provide brilliant clarity of the road ahead and to the side at night and in conditions with poor visibility. The dynamic auto-leveling feature adjusts for varying passenger and cargo loads, helping to keep headlight glare out of the eyes of oncoming drivers. **BMW Adaptive Headlights**<sup>1</sup> provide optimum road illumination around corners, thanks to an electromechanical control system that directs the headlights into and through the bend as soon as the vehicle begins cornering.

□ **High-beam Assistant**<sup>2</sup> automatically turns high beams on and off, as needed, based on light sensor readings.

<sup>1</sup> Std. 535i, 535i xDrive and 550i; opt. on 528i and 528i xDrive.

<sup>2</sup> Optional; requires optional Xenon headlights and Premium Package in both 528i models; requires Premium Package in both 535i models.



■ **Adaptive Brake Lights** increase vehicle visibility and signal the intensity of your braking action.



■ **Two-way power glass moonroof** with remote, expanded one-touch operation, slides forward or tilts up to let in as much fresh air and sky as you like, while a wind deflector helps keep the wind out. Includes a sliding interior sunshade.

■ Standard equipment

□ Optional equipment



■ **17 x 7.5 Double Spoke (Style 278) alloy wheels with 225/50 all-season tires.** (std. on 528i and 528i xDrive; spare is a space-saver wheel and tire)



■ **17 x 8.0 V Spoke (Style 245) alloy wheels with 225/50 all-season tires.** (std. on 550i; spare is a space-saver wheel and tire)



■ **17 x 7.5 V Spoke (Style 277) alloy wheels with 225/50 all-season tires.** (std. on 535i and 535i xDrive; spare is a space-saver wheel and tire)



□ **18 x 8.0 Star Spoke (Style 246) alloy wheels with 245/40 run-flat performance tires.**<sup>3</sup> (incl. in 528i Sport Package, opt. with 528i xDrive Sport Package; spare is a space-saver wheel and tire)



□ **18 x 8.0 front, 18 x 9.0 rear Star Spoke (Style 124) alloy wheels with 245/40 front, 275/35 rear run-flat performance tires.**<sup>3</sup> (incl. in 535i Sport Package, opt. with 535i xDrive Sport Package; spare is a space-saver wheel and tire)



□ **19 x 8.0 front, 19 x 9.5 rear Double Spoke (Style 172M) alloy wheels with 245/35 front, 275/30 rear performance tires.**<sup>3</sup> (incl. in 550i Sport Package; spare is a space-saver wheel and tire)

<sup>3</sup> Due to low-profile tires, please note: wheels, tires and suspension parts are more susceptible to road hazard and consequential damages. Performance tires not recommended for driving in ice and snow.

■ Standard equipment

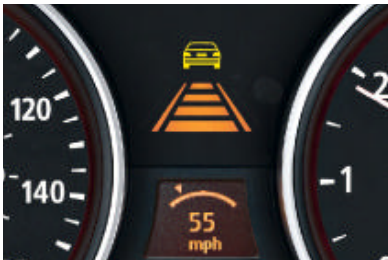
□ Optional equipment



■ **3-spoke leather-wrapped multi-function steering wheel** lets you keep both hands on the wheel while adjusting various comfort functions, such as changing the radio, CD selections and volume. Optional Voice Control (included with optional Navigation system) can be used to change radio stations and audio selections, Navigation system destinations, and **Bluetooth**-compatible telephone entries.



■/□ **Park Distance Control** uses eight sensors – four in the front, four in the rear – to help you judge how close you are to other cars and unseen objects when parking. While engaged in a parking maneuver, the image on the screen visually changes and warning beeps come faster as the bumper approaches a stationary object, turning into a constant tone when the distance is less than 12 inches. (std. in 550i)



□ **Active Cruise Control** with Stop & Go uses radar measurements to automatically maintain a pre-set speed and distance between your vehicle and the one ahead in both heavy traffic and highway driving.<sup>1</sup> (requires automatic or Sport Automatic transmission)

<sup>1</sup>Active Cruise Control is not a substitute for the driver's own responsibility in adjusting speed and otherwise controlling the vehicle. After evaluating road, traffic and visibility conditions, the driver determines whether and how the system is used.



□ **6-speed STEPTRONIC automatic transmission** provides a choice of three modes: "Drive," which incorporates BMW's Adaptive Transmission Control; "Sport" automatic, for a more dynamic shift pattern; and STEPTRONIC automatic, for the hands-on control of a manual without using a clutch. (no-cost option in all 5 Series Sedans)



□ **Steering wheel-mounted paddle shifters** allow you to shift gears manually without a clutch. This feature is included in the 535i and 550i when they are equipped with the optional 6-speed Sport Automatic transmission and Sport Package. (not available in 535i xDrive)



■ **6-speed manual transmission** delivers a precise, athletic feel. Its responsiveness is due, in part, to the enhanced synchronization of shifts from neutral to each gear. A shortened shift lever and "throw" add to the sporty feel of the gearbox. The sixth gear drops revs at highway speeds for smooth cruising.



■ **BMW Assist™** and **Bluetooth®** system offers hands-free calling through your BMW-approved **Bluetooth** phone. The BMW Assist Safety Plan is included for four years, providing Automatic Collision Notification, Emergency Request, Roadside Assistance, Door Unlock, Stolen Vehicle Recovery, TeleService and more. The optional Convenience Plan offers Directions, Traffic, Weather, Critical Calling and Concierge services.



□ **Comfort Access system** offers an even greater degree of convenience: keyless access to your car. Simply carrying the remote key in a pocket allows you to unlock the doors by touching the door handle. You can also turn the engine on or off by pressing the Start/Stop button<sup>3</sup> without inserting the remote key.

<sup>3</sup>Foot must be on brake; with manual transmission, brake and clutch must be depressed in order to start.

■ Standard equipment

□ Optional equipment



□ **Lane Departure Warning feature<sup>4</sup>** alerts the driver by discreetly vibrating the steering wheel if the vehicle crosses lane markings without using the directional signal. (requires Premium Package in all 528i and 535i models)

<sup>4</sup>Requires clearly definable lane markings that are not obscured by rain, snow, etc. Lane Departure Warning feature is not a substitute for the driver's own responsibility in maintaining safe control of the vehicle.



□ **Navigation system** covers the U.S. with a single DVD. The glare-free monitor is mounted neatly into the dashboard for easy viewing. Using GPS satellites and DVD technology, a map of your area appears on the dash monitor, showing – and telling – the directions to your desired destination; it also provides Real Time Traffic Information (where available) on potential traffic problems and solutions.



□ **Head-up Display** projects important travel information – such as current speed – on the windshield directly in the driver's line of vision. Check Control data, cruise control functions, and directional arrows from the optional Navigation system can also be displayed. (requires Navigation system)



□ **20-way power multi-contour front seats<sup>5</sup>** for the driver and front passenger provide optimum lateral support during tight cornering – thanks to specially padded, highly contoured side bolsters – while remaining exceptionally comfortable when driving over long distances. In addition to Active Head Restraints, the seats offer individual power adjustment for backrest and seat bottom angle; forward/backward and up/down position; thigh, upper back and lumbar support; and adjustable sides.

<sup>5</sup>Multi-contour seats are included in the Sport Package and available as a stand-alone option. The Sport Packages in all models except the 550i require optional Leather upholstery or Premium Package.



□ **Heated rear seats** are a welcome cool-weather feature for left and right rear-seat occupants. With the touch of a button, passengers can individually select their preferred level of warmth. (Must be ordered with Cold Weather Package; not available with Leatherette upholstery.)



□ **Sunshades** in the rear side windows enhance passenger privacy, while reducing sun glare and interior heat.



□ **Rear fold-down seats** allow you to load long objects in the trunk by folding down one or both rear seats, as needed.

■ Standard equipment

□ Optional equipment



□ **HD Radio™** receives free, digital AM/FM broadcasts across the U.S. in clear, static-free quality sound – AM sounds like FM; FM sounds like CD. Also enjoy new “multicast” FM stations, as well as a variety of innovative data services.

Can be ordered in combination with optional Logic7 Surround Sound audio system. For more information on HD Radio receivers and to find HD Radio AM/FM stations near you, visit [HDRadio.com](http://HDRadio.com).



□ **SIRIUS Satellite Radio** delivers nonstop sports, news/talk, entertainment, traffic/weather, and 100% commercial-free music – all day, all night, across the continental U.S. (optional on all models)



■ **BMW anti-theft AM/FM stereo CD/MP3 player audio system** with 10 speakers, Auto-Store, and 3-channel FM diversity antenna system.



□ **Logic7 Surround Sound anti-theft AM/FM stereo CD/MP3 player** audio system provides outstanding sound with 13 speakers and the adjustable surround sound function to create a luxurious soundscape all around you. The subwoofer speakers are under the front seats and produce an authentic bass sound.



■ **Auxiliary input port** lets you connect an external audio source, such as an iPod® or MP3 player.

□ **iPod and USB adaptor** lets you scroll through and select the music you want by using the car's radio controls, the multi-function steering wheel buttons or iDrive Controller. Music titles are displayed on the radio or Navigation screen.

**528i/528i xDrive and 535i/535i xDrive  
Premium Package:**

Maximize your driving pleasure in an ambiance of total luxury. The Premium Package for 528i and 535i models offers supple Dakota Leather seating with the comfort of four-way adjustable lumbar support.<sup>1</sup> For nighttime driving, the automatic-dimming rear-view interior and side-view exterior mirrors adjust to reduce glare. A Universal garage-door opener offers welcome convenience. (All items standard in the 550i.)

<sup>1</sup> Lumbar support std. in both 535i models.



**Dakota Leather upholstery** cradles driver and passengers in soft, gathered comfort. Durable and easy to maintain, a leather interior adds elegance and refinement.



**Exterior power-folding side-view mirrors** automatically dim when reflecting bright lights, helping to eliminate glare when driving at night.



**Lumbar support** for front seats adds four-way adjustable comfort for the lower back. Lumbar support can be adjusted up/down and in/out. (incl. in 528i and 528i xDrive Premium Package; std. in 535i and 535i xDrive)



**Automatic-dimming rear-view mirror** senses the bright headlights of vehicles behind you, and automatically darkens.



**BMW Universal garage-door opener** takes the place of up to three remote-control devices. It can activate remote functions outside the vehicle, such as garage-door openers or home-lighting systems.



**Cold Weather Package:**

Enjoy winter to the fullest with the Cold Weather Package. There's nothing like the feeling of a quick-warming seat and a heated steering wheel on a cold morning, plus the reassurance of clean, bright headlights on a stormy night.



**Heated steering wheel** makes gloves unnecessary for cold weather driving. A flick of the switch quickly warms the steering wheel to the perfect temperature.



**Heated front seats** are a welcome feature for driver and front passenger in cooler weather. With the touch of a button, seat surface and backrest are heated and quickly radiate comfortable warmth in your choice of three settings. (Heated front seats are also available as a stand-alone option)



Retractable **high-intensity headlight washers** help keep lights clear of ice, mud, road salt and other coatings, for maximum road lighting and enhanced driving safety.

### 528i/528i xDrive and 535i/535i xDrive Sport Packages:<sup>1</sup>

Sport Packages add a dynamic edge to the 5 Series' look and performance, thanks to larger, more aggressive alloy wheels with performance run-flat tires,<sup>2</sup> sporty shadowline exterior trim, a 3-spoke leather-wrapped multi-function sport steering wheel, and 20-way power multi-contour front seats. In addition, the 528i and 535i Sport Packages deliver even more thrilling performance by including sport suspension calibration<sup>3</sup> and Active Roll Stabilization (ARS).<sup>3</sup>

<sup>1</sup> Sport Packages require optional Leather upholstery or Premium Package.

<sup>2</sup> Due to low-profile tires, please note: wheels, tires and suspension parts are more susceptible to road hazard and consequential damages. Performance tires not recommended for driving in ice and snow.

<sup>3</sup> These features not available in xDrive models.



**18 x 8.0 Star Spoke (Style 246) alloy wheels with 245/40 run-flat performance tires.**<sup>2</sup> (528i Sport Package; optional in 528i xDrive with Sport Package; spare is a space-saver wheel and tire)



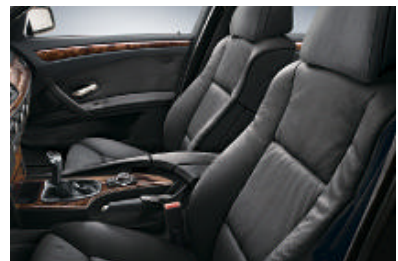
**18 x 8.0 front, 18 x 9.0 rear Star Spoke (Style 124) alloy wheels with 245/40 front, 275/35 rear run-flat performance tires.**<sup>2</sup> (535i Sport Package; optional in 535i xDrive with Sport Package; spare is a space-saver wheel and tire)



**Shadowline trim** gives a sporty look to front and rear side-window frames, window recess finishers, and door-sill trim strips.



**3-spoke leather-wrapped multi-function sport steering wheel** lets you keep both hands on the wheel while adjusting various comfort functions, such as radio stations, CD selections and volume.



**20-way power multi-contour front seats<sup>4</sup>** provide optimum lateral support during tight cornering, while remaining exceptionally comfortable when driving over long distances. In addition to Active Head Restraints, the seats offer individual power adjustment for backrest and seat bottom angle; forward/backward and up/down position; thigh, upper back and lumbar support; and adjustable sides.

<sup>4</sup> Multi-contour seats are also available as a stand-alone option. Sport Package requires optional Leather upholstery or Premium Package.

### **550i Sport Package:**

The 550i Sport Package heightens the athletic character of this impressive luxury-performance Sedan. The exterior is enhanced by shadowline trim and larger, more attention-grabbing cast alloy wheels with performance tires.<sup>1</sup> An Aerodynamic package, which includes front and rear fascias and lower side molding, befits the 550i's commanding presence. Adding a retuned sport suspension calibration and Active Roll Stabilization (ARS) gives the 550i a track-bred feel and enhanced stability. The exhaust has been tuned with a sportier sound, delivered through distinctive 550i exhaust tips. Inside, a 3-spoke, leather-wrapped multi-function sport steering wheel and 20-way power multi-contour front seats underscore its sporting nature, while a shorter throw of the gearshift knob increases driving joy for those who opt for the slick-shifting, 6-speed manual transmission.

<sup>1</sup>Due to low-profile tires, please note: wheels, tires and suspension parts are more susceptible to road hazard and consequential damages. Performance tires not recommended for driving in ice and snow. Spare is a space-saver wheel and tire.

Shown in Carbon Black Metallic paint, exclusive to 550i Sport Package. See page 49 for full listing of available paint colors.



**Aerodynamic package's** front air dam and bumper underscore the purposeful look of the 550i, while providing a visual clue to the power of the 4.8-liter V-8 that resides under the hood.



**19 x 8.0 front, 19 x 9.5 rear Double Spoke (Style 172M) alloy wheels with 245/35 front, 275/30 rear performance tires.<sup>2</sup>** (spare is a space-saver wheel and tire)

<sup>2</sup> Due to low-profile tires, please note: wheels, tires and suspension parts are more susceptible to road hazard and consequential damages. Performance tires not recommended for driving in ice and snow.



**3-spoke leather-wrapped multi-function sport steering wheel** lets you keep both hands on the wheel while adjusting various comfort functions, such as radio stations, CD selections and volume.



**20-way power multi-contour front seats** provide optimum lateral support. The seats offer power adjustment for backrest and seat bottom angle; forward/backward and up/down position; thigh, upper back and lumbar support; adjustable sides; and Active Head Restraints.



**Aerodynamic package's** bumper treatment and lower side molding are complemented by the handsome 19" Double Spoke (Style 172M) alloy wheels, with 245/35 front and 275/30 rear performance tires.<sup>3</sup>

<sup>3</sup> Due to low-profile tires, please note: wheels, tires and suspension parts are more susceptible to road hazard and consequential damages. Performance tires not recommended for driving in ice and snow. Spare is a space-saver wheel and tire.

<b>Performance and efficiency</b>	<b>528i</b>	<b>528i xDrive</b>	<b>535i</b>	<b>535i xDrive</b>	<b>550i</b>
3.0-liter dual overhead cam (DOHC), 24-valve inline 230-horsepower 6-cylinder engine with composite magnesium/aluminum engine block, Valvetronic, and Double-VANOS steplessly variable valve timing	●	●			
3.0-liter dual overhead cam (DOHC), 24-valve inline turbocharged 300-horsepower 6-cylinder engine with twin-turbo technology, piezo direct injection, and Double-VANOS steplessly variable valve timing			●	●	
4.8-liter, 360-horsepower 32-valve V-8 engine with 4 overhead camshafts, aluminum engine block and cylinder heads, Valvetronic system, 2-stage air intake manifold, and Double-VANOS steplessly variable valve timing					●
Direct ignition system with knock control	●	●	●	●	●
Electronically controlled engine cooling (map cooling)	●	●	●	●	●
6-speed manual transmission	●	●	●	●	● <sup>1</sup>
6-speed STEPTRONIC automatic transmission with Sport and Manual shift modes and Adaptive Transmission Control (ATC)	▲	▲	▲	▲	▲
6-speed Sport Automatic transmission with Sport and Manual shift modes and steering wheel-mounted paddle shifters <sup>2</sup>			○		○

<b>Handling, ride and braking</b>					
Aluminum double-pivot-type front suspension	●	●	●	●	●
Aluminum 4-link integral rear suspension	●	●	●	●	●
Front and rear anti-roll (stabilizer) bars	●	●	●	●	●
Aluminum front and rear subframes	●	●	●	●	●
Twin-tube gas-pressure shock absorbers	●	●	●	●	●
4-wheel ventilated anti-lock disc brakes (ABS) with Dynamic Brake Control (DBC)	●	●	●	●	●
Sport suspension calibration	□		□		
Retuned sport suspension calibration					□
Active Roll Stabilization (ARS)	□		□		□
Vehicle-speed-sensitive variable-assist (Servotronic), variable-ratio power steering	●	●	●	●	●
Active Steering with Servotronic power assist	○		○		○
Dynamic Stability Control (DSC), including Brake Fade Compensation, Start-off Assistant, Brake Drying, and Brake Stand-by features; with Dynamic Traction Control (DTC)	●	● <sup>3</sup>	●	● <sup>3</sup>	●
xDrive all-wheel-drive system		●		●	
Hill Descent Control (HDC)		●		●	

- Standard
- Optional
- ▲ No-cost option
- ◇ Included in optional Premium Package
- Included in optional Sport Package
- ★ Included in optional Cold Weather Package

<sup>1</sup>Sport Package with manual transmission includes shorter shifter.

<sup>2</sup>Requires Sport Package.

<sup>3</sup>Comfort Stop feature not available with xDrive vehicles.

Exterior and aerodynamics	528i	528i xDrive	535i	535i xDrive	550i
17 x 7.5 Double Spoke (Style 278) alloy wheels, 225/50 all-season tires (spare is a space-saver wheel and tire)	●	●			
17 x 7.5 V Spoke (Style 277) alloy wheels, 225/50 all-season tires (spare is a space-saver wheel and tire)			●	●	
17 x 8.0 V Spoke (Style 245) alloy wheels, 225/50 all-season tires (spare is a space-saver wheel and tire)					●
18 x 8.0 Star Spoke (Style 246) alloy wheels, 245/40 run-flat performance tires <sup>4</sup> (spare is a space-saver wheel and tire)	□	○ <sup>5</sup>			
18 x 8.0 front, 18 x 9.0 rear Star Spoke (Style 124) alloy wheels, 245/40 front, 275/35 rear run-flat performance tires <sup>4</sup> (spare is a space-saver wheel and tire)			□	○ <sup>5</sup>	
19 x 8.0 front, 19 x 9.5 rear Double Spoke (Style 172M) alloy wheels, 245/35 front, 275/30 rear performance tires <sup>4</sup> (spare is a space-saver wheel and tire)					□
Halogen free-form low-beam headlights	●	●			
Xenon Adaptive Headlights with dynamic auto-leveling and Cornering Lights function	○	○	●	●	●
Automatic headlight control	●	●	●	●	●
High-beam Assistant	○ <sup>6</sup>	○ <sup>6</sup>	○ <sup>7</sup>	○ <sup>7</sup>	○
High-pressure headlight cleaning system	★	★	★	★	★
Halogen free-form foglights	●	●	●	●	●
Park Distance Control (front and rear) with graphic display	○	○	○	○	●
Rain-sensing windshield wipers with adjustable speed	●	●	●	●	●
Power adjustable, heated, body-color side-view mirrors	●	●	●	●	●
Metallic paint	●	●	●	●	●
Chrome Line exterior trim	●	●	●	●	●
Shadowline exterior trim	□	□	□	□	□
Aerodynamic package					□
Distinctive dual exhaust tips					□

Interior seating	528i	528i xDrive	535i	535i xDrive	550i
Leatherette upholstery	●	●	●	●	
Dakota Leather upholstery and door trim	○◇	○◇	○◇	○◇	●
Split-folding lockable rear seats and ski bag	○	○	○	○	○
10-way power front seats with power head restraints	●	●	●	●	●
4-way power lumbar support for front seats	◇	◇	●	●	●
20-way power multi-contour front seats (includes articulated upper backrest, 4-way lumbar support, passenger's-seat memory, Active Head Restraints, and adjustable side and thigh support)	○ <sup>8</sup> /□ <sup>8</sup>	○ <sup>8</sup> /□ <sup>8</sup>	○ <sup>8</sup> /□ <sup>8</sup>	○ <sup>8</sup> /□ <sup>8</sup>	○/□
Memory system for driver's seat, side-view mirrors, and steering wheel position	●	●	●	●	●
Open storage compartments in all doors and front seatback storage	●	●	●	●	●
Adjustable front center armrest	●	●	●	●	●
Dual center console compartments with provision for phone handset	●	●	●	●	●
Fold-up rear seat center armrest	●	●	●	●	●

● Standard  
 ○ Optional  
 ▲ No-cost option  
 ◇ Included in optional Premium Package  
 □ Included in optional Sport Package  
 ★ Included in optional Cold Weather Package

<sup>4</sup> Due to low-profile tires, please note: wheels, tires and suspension parts are more susceptible to road hazard and consequential damages. Performance tires not recommended for driving in ice and snow.  
<sup>5</sup> Requires Sport Package.  
<sup>6</sup> Requires Xenon headlights and Premium Package.  
<sup>7</sup> Requires Premium Package.  
<sup>8</sup> Requires Dakota Leather upholstery.

<b>Comfort and convenience</b>	<b>528i</b>	<b>528i xDrive</b>	<b>535i</b>	<b>535i xDrive</b>	<b>550i</b>
Automatic climate control with separate left/right temperature and air distribution controls, with automatic air recirculation	●	●	●	●	●
Micro-filter ventilation system with replaceable active-charcoal filters	●	●	●	●	●
2-way power glass moonroof with remote, expanded "one-touch" operation, anti-trapping feature, and sliding interior sunshade	●	●	●	●	●
Automatic tilt-down of passenger's side-view mirror (when car is shifted into reverse gear)	●	●	●	●	●
Power tilt and telescopic steering wheel with automatic tilt-up	●	●	●	●	●
Power windows with key-off and "one touch" up and down operation both front and rear, anti-trapping feature, opening from remote, and closing from exterior lock	●	●	●	●	●
Power rear-window sunshade and manual rear side-window sunshades with 2 shade sections per door	○	○	○	○	○
Comfort Access keyless entry with multi-function remote control	○	○	○	○	○
Interior courtesy lights with automatic dimming function	●	●	●	●	●
Front map lights and rear reading lights with separate controls for the left and right	●	●	●	●	●
Automatic-dimming interior rear-view mirror and power-folding exterior side-view mirrors	◇	◇	◇	◇	●
Dual front sun visors with illuminated mirrors	●	●	●	●	●
Dual cupholders in front and rear	●	●	●	●	●
3-stage heated front seats	○/★	○/★	○/★	○/★	○/★
2-stage heated rear seats <sup>9</sup>	○ <sup>10</sup>	○ <sup>10</sup>	○ <sup>10</sup>	○ <sup>10</sup>	○
Heated steering wheel	★	★	★	★	★
Fully finished trunk with interior trunk release	●	●	●	●	●
Integrated 3-button Universal garage-door opener	◇	◇	◇	◇	●
Power outlet in front passenger's footwell, back of center console, and in trunk	●	●	●	●	●
Glove compartment	●	●	●	●	●

<b>Audio system</b>					
Anti-theft AM/FM stereo/CD audio system with 10 speakers, Auto-Store, FM diversity antenna system, and MP3 capabilities	●	●	●	●	●
Logic7 sound system with 13 speakers, Surround Sound, and Digital Sound Processing (including two subwoofers)	○	○	○	○	○
iPod® and USB adaptor (includes cable connector)	○	○	○	○	○
6-disc CD changer mounted in glove compartment	△	△	△	△	△
Auxiliary audio input for portable music players	●	●	●	●	●
HD Radio™ with "multicast" FM station reception	○	○	○	○	○
SIRIUS Satellite Radio with one-year subscription <sup>11</sup>	○/△	○/△	○/△	○/△	○/△
<p>● Standard  ○ Optional  ▲ No-cost option  ◇ Included in optional Premium Package  □ Included in optional Sport Package  ★ Included in optional Cold Weather Package  △ Dealer-installed accessory</p> <p><sup>9</sup>Requires Cold Weather Package.  <sup>10</sup>Requires Dakota Leather upholstery.  <sup>11</sup>Please visit your authorized BMW center for details on equipment and services requirements.</p>					

Instrumentation and controls	528i	528i xDrive	535i	535i xDrive	550i
3-spoke leather-wrapped multi-function steering wheel with controls for audio system, cruise control, and <b>Bluetooth</b> ® wireless communication for hands-free mobile phone <sup>12</sup>	●	●	●	●	●
3-spoke leather-wrapped multi-function sport steering wheel with controls for audio system, cruise control, and <b>Bluetooth</b> ® wireless communication for hands-free mobile phone <sup>12</sup>	□	□	□	□	□
Electronic analog speedometer and tachometer and LCD main and trip odometers	●	●	●	●	●
Check Control vehicle monitor system	●	●	●	●	●
Start/Stop button	●	●	●	●	●
Head-up Display (HUD) <sup>13</sup>	○	○	○	○	○
Night Vision <sup>14</sup>	○	○	○	○	○
iDrive system with on-board computer and Controller, and 6 programmable memory buttons	●	●	●	●	●
Exterior temperature display with alarm for freezing temperatures	●	●	●	●	●
Active Cruise Control (ACC) with Stop & Go <sup>15</sup>	○	○	○	○	○
BMW Navigation system with controller with voice feedback, Voice Command System and Real Time Traffic Information	○	○	○	○	○
Vehicle & Key Memory	●	●	●	●	●
Tire Pressure Monitor	●	●	●	●	●

Safety and security					
Driver's and passenger's front airbag supplemental restraint system (SRS) with advanced technology: dual-threshold, dual-stage deployment; and front-passenger seat sensors designed to prevent unnecessary airbag deployment	●	●	●	●	●
Front- and rear-seat Head Protection System	●	●	●	●	●
Front-seat side-impact airbags	●	●	●	●	●
Rear-seat side-impact airbags and automatic pretensioners on rear outboard safety belts	○	○	○	○	○
Lane Departure Warning feature that alerts the driver of an improper lane-changing maneuver <sup>16</sup>	○ <sup>17</sup>	○ <sup>17</sup>	○ <sup>17</sup>	○ <sup>17</sup>	○
Front safety belts with automatic pretensioners	●	●	●	●	●
Active Head Restraints in front seats <sup>18</sup>	○ <sup>10</sup> /□ <sup>10</sup>	○ <sup>10</sup> /□ <sup>10</sup>	○ <sup>10</sup> /□ <sup>10</sup>	○ <sup>10</sup> /□ <sup>10</sup>	○/□
Automatic locking retractors (ALR) on all passenger-seat safety belts (for installation of child-restraint seats)	●	●	●	●	●
Interlocking door anchoring system to help protect against door intrusion in side impacts	●	●	●	●	●
BMW's Advanced Safety System for integrated deployment of passive and active safety features	●	●	●	●	●
Impact sensor that activates Battery Safety Terminal disconnect of alternator, fuel pump and starter from battery; and turns on hazard lights, interior lights and unlocks doors	●	●	●	●	●
Coded Driveway Protection – a feature that constantly changes the electronic key/ignition code; prevents the engine from starting without using the right key	●	●	●	●	●
Remote keyless entry security alarm system with selective unlocking and double-lock feature (programmed at BMW center), remote trunk opening, interior motion detector, and panic feature	●	●	●	●	●
Adaptive Brake Lights	●	●	●	●	●
BMW Assist <sup>TM</sup> with <b>Bluetooth</b> ® wireless technology for hands-free calling (with <b>Bluetooth</b> enabled mobile phone <sup>12</sup> ), phonebook downloading and speech recognition capabilities	●	●	●	●	●

BMW Services					
BMW Ultimate Service <sup>TM</sup>	●	●	●	●	●
<p>● Standard  ○ Optional  ▲ No-cost option  ◇ Included in optional Premium Package  □ Included in optional Sport Package  ★ Included in optional Cold Weather Package  △ Dealer-installed accessory</p> <p><sup>12</sup>If so equipped. Check for a list of BMW-compatible <b>Bluetooth</b> enabled mobile phones at your authorized BMW center or bmwusa.com.  <sup>13</sup>Requires Navigation system.  <sup>14</sup>Requires Navigation system and Cold Weather Package.  <sup>15</sup>Requires STEPTRONIC automatic or Sport Automatic transmission. Active Cruise Control is not a substitute for the driver's own responsibility in adjusting speed and otherwise controlling the vehicle. After evaluating the road, traffic and visibility conditions, the driver decides whether and how the system is used.  <sup>16</sup>Requires clearly definable lane markings that are not obscured by rain, snow, etc. Lane Departure Warning feature is not a substitute for the driver's own responsibility in maintaining safe control of the vehicle.  <sup>17</sup>Requires Premium Package.  <sup>18</sup>Included with and requires 20-way multi-contour front seats.</p>					



Premium Packages	528i	528i xDrive	535i	535i xDrive	550i
Dakota Leather upholstery and door trim	○◇	○◇	○◇	○◇	●
4-way power lumbar support for front seats	◇	◇	●	●	●
Integrated 3-button Universal garage-door opener	◇	◇	◇	◇	●
Automatic-dimming interior rear-view mirror and power-folding exterior side-view mirrors	◇	◇	◇	◇	●

Sport Packages <sup>21</sup>					
18 x 8.0 Star Spoke (Style 246) alloy wheels, 245/40 run-flat performance tires <sup>22, 23</sup>	□	○ <sup>24</sup>			
18 x 8.0 front, 18 x 9.0 rear Star Spoke (Style 124) alloy wheels, 245/40 front, 275/35 rear run-flat performance tires <sup>22, 23</sup>			□	○ <sup>24</sup>	
19 x 8.0 front, 19 x 9.5 rear Double Spoke (Style 172M) alloy wheels, 245/35 front, 275/30 rear performance tires <sup>22, 23</sup>					□
3-spoke leather-wrapped multi-function sport steering wheel with controls for audio system, cruise control, and <b>Bluetooth</b> <sup>®</sup> wireless communication for hands-free mobile phone <sup>25</sup>	□	□	□	□	□
20-way power multi-contour front seats (includes articulated upper backrest, 4-way lumbar support, passenger's-seat memory, active head restraints, and adjustable side and thigh support)	○ <sup>21</sup> /□ <sup>21</sup>	○ <sup>21</sup> /□ <sup>21</sup>	○ <sup>21</sup> /□ <sup>21</sup>	○ <sup>21</sup> /□ <sup>21</sup>	○/□
Active Roll Stabilization (ARS)	□		□		□
Sport suspension calibration	□		□		
Shadowline exterior trim	□	□	□	□	□
Aerodynamic package					□
Retuned sport suspension calibration					□
Shorter shifter for manual transmission					□
Distinctive dual exhaust tips					□

Cold Weather Package					
3-stage heated front seats	○/★	○/★	○/★	○/★	○/★
High-pressure headlight cleaning system	★	★	★	★	★
Heated steering wheel	★	★	★	★	★

- Standard
- Optional
- ▲ No-cost option
- ◇ Included in optional Premium Package
- Included in optional Sport Package
- ★ Included in optional Cold Weather Package
- △ Dealer-installed accessory

<sup>21</sup> Requires Dakota Leather upholstery in all models except 550i.

<sup>22</sup> Due to low-profile tires, please note: wheels, tires and suspension parts are more susceptible to road hazard and consequential damages. Performance tires not recommended for driving in ice and snow.

<sup>23</sup> Spare is a space-saver wheel and tire.

<sup>24</sup> Requires Sport Package.

<sup>25</sup> If so equipped. Check for a list of BMW-compatible **Bluetooth**-enabled mobile phones at your authorized BMW center or [bmwusa.com](http://bmwusa.com).

Stand-alone optional equipment	528i	528i xDrive	535i	535i xDrive	550i
Xenon Adaptive Headlights with dynamic auto-leveling	○	○	●	●	●
High-beam Assistant	○ <sup>26</sup>	○ <sup>26</sup>	○ <sup>27</sup>	○ <sup>27</sup>	○
Park Distance Control (front and rear) with graphic display	○	○	○	○	●
Dakota Leather upholstery and door trim	○	○	○	○	●
Light Poplar Wood interior trim	▲	▲	▲	▲	▲
Bamboo Anthracite Wood interior trim	▲	▲	▲	▲	▲
Split-folding lockable rear seats and ski bag	○	○	○	○	○
20-way power multi-contour front seats (includes articulated upper backrest, 4-way lumbar support, passenger's-seat memory, Active Head Restraints, and adjustable side and thigh support)	○ <sup>21</sup>	○ <sup>21</sup>	○ <sup>21</sup>	○ <sup>21</sup>	○
Power rear-window sunshade and manual rear side-window sunshades with 2 shade sections per door	○	○	○	○	○
Comfort Access keyless entry with multi-function remote control	○	○	○	○	○
3-stage heated front seats	○	○	○	○	○
2-stage heated rear seats <sup>28</sup>	○ <sup>21</sup>	○ <sup>21</sup>	○ <sup>21</sup>	○ <sup>21</sup>	○
Logic7 sound system with 13 speakers, Surround Sound, and Digital Sound Processing (including two subwoofers)	○	○	○	○	○
iPod® and USB adaptor (includes cable connector)	○	○	○	○	○
HD Radio™ with "multicast" FM station reception	○	○	○	○	○
SIRIUS Satellite Radio with one-year subscription <sup>29</sup>	○	○	○	○	○
Head-up Display (HUD) <sup>30</sup>	○	○	○	○	○
Night Vision <sup>31</sup>	○	○	○	○	○
Active Cruise Control (ACC) with Stop & Go <sup>32</sup>	○	○	○	○	○
BMW Navigation system with controller with voice feedback, Voice Command System and Real Time Traffic Information	○	○	○	○	○
Rear-seat side-impact airbags and automatic pretensioners on rear outboard safety belts	○	○	○	○	○
Lane Departure Warning feature that alerts the driver of an improper lane-changing maneuver <sup>33</sup>	○ <sup>27</sup>	○ <sup>27</sup>	○ <sup>27</sup>	○ <sup>27</sup>	○

- Standard
- Optional
- ▲ No-cost option
- ◇ Included in optional Premium Package
- Included in optional Sport Package
- ★ Included in optional Cold Weather Package
- △ Dealer-installed accessory

<sup>26</sup>Requires Xenon headlights and Premium Package.

<sup>27</sup>Requires Premium Package.

<sup>28</sup>Requires Cold Weather Package.

<sup>29</sup>Please visit your authorized BMW center for details on equipment and services requirements.

<sup>30</sup>Requires Navigation system.

<sup>31</sup>Requires Navigation system and Cold Weather Package. Night Vision performance is limited by rain, fog, humidity and other weather conditions.

<sup>32</sup>Requires STEPTRONIC automatic or Sport Automatic transmission. Active Cruise Control is not a substitute for the driver's own responsibility in adjusting speed and otherwise controlling the vehicle. After evaluating road, traffic and visibility conditions, the driver decides whether and how the system is used.

<sup>33</sup>Requires clearly definable lane markings that are not obscured by rain, snow, etc. Lane Departure Warning feature is not a substitute for the driver's own responsibility in maintaining safe control of the vehicle.

Weight		528i	528i xDrive	535i	535i xDrive	550i
Unladen						
Manual transmission	lbs	3505	3670	3660	3902	3946
STEPTRONIC automatic transmission	lbs	3571	3704	3703	3946	3968
Weight distribution, front/rear						
Manual transmission	%	49.7/50.3	51.8/48.2	51.2/48.8	53.1/46.9	51.4/48.6
STEPTRONIC automatic transmission	%	50.3/49.7	52.0/48.0	51.8/48.2	53.4/46.6	51.7/48.3

Engine						
Liter/type		3.0/inline 6	3.0/inline 6	3.0/inline 6	3.0/inline 6	4.8/V-8
Bore/stroke	inch	3.35x3.46	3.35x3.46	3.31x3.53	3.31x3.53	3.66x3.48
Nominal output/rpm	hp	230/6500	230/6500	300/5800	300/5800	360/6300
Max. torque/rpm	lb-ft	200/2750	200/2750	300/1400-5000	300/1400-5000	360/3400
Compression ratio	:1	10.7	10.7	10.2	10.2	10.5
Fuel grade		unleaded premium	unleaded premium	unleaded premium	unleaded premium	unleaded premium

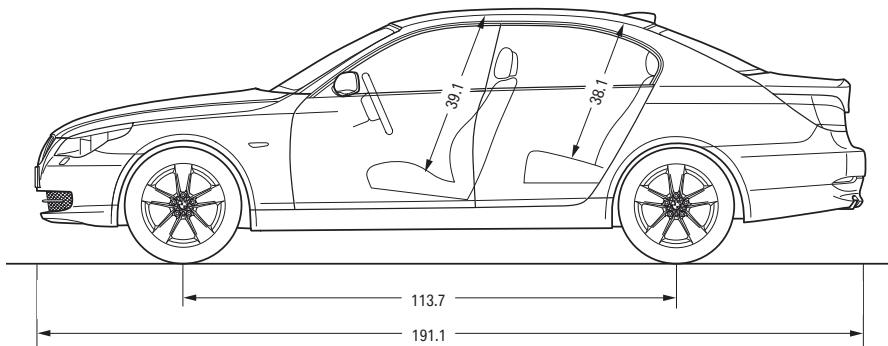
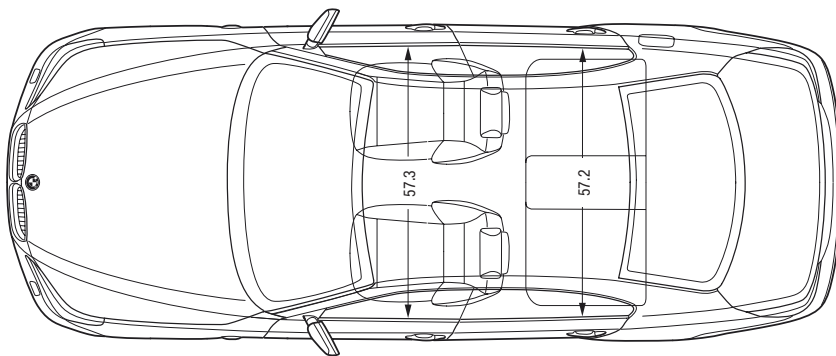
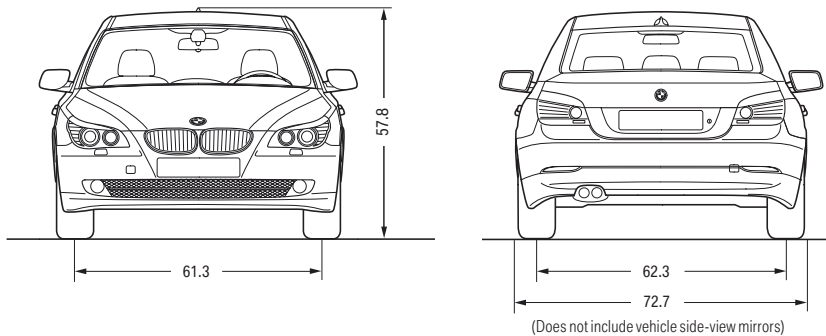
Transmission						
Manual gear ratios	I/II/III :1	4.32/2.46/1.66	4.35/2.50/1.67	4.06/2.40/1.58	4.06/2.40/1.58	4.06/2.40/1.58
	IV/V/VI/R :1	1.23/1.00/0.85/3.94	1.23/1.00/0.85/3.93	1.19/1.00/0.87/3.68	1.19/1.00/0.87/3.68	1.19/1.00/0.87/3.68
	Final drive ratio :1	3.38	3.46	3.08	3.08	2.93
STEPTRONIC automatic gear ratios	I/II/III :1	4.17/2.34/1.52	4.17/2.34/1.52	4.17/2.34/1.52	4.17/2.34/1.52	4.17/2.34/1.52
	IV/V/VI/R :1	1.14/0.87/0.69/3.40	1.14/0.87/0.69/3.40	1.14/0.87/0.69/3.40	1.14/0.87/0.69/3.40	1.14/0.87/0.69/3.40
	Final drive ratio :1	3.73	3.91	3.64	3.46	3.38

Performance						
Drag coefficient	C <sub>d</sub>	0.29 (0.28)	0.29 (0.28)	0.29	0.31	0.29
Top speed <sup>1</sup>	mph	150	150	150	150	150
Acceleration 0–60 mph <sup>2</sup>						
Manual transmission	sec	6.5	7.1	5.6	5.5	5.4
STEPTRONIC automatic transmission	sec	7.1	7.6	5.7	5.6	5.5

Fuel consumption <sup>3</sup>						
Manual transmission						
City/highway	mpg	18/28	17/25	17/26	16/25	15/22
STEPTRONIC automatic transmission						
City/highway	mpg	18/27	17/25	17/26	17/25	15/23
Fuel capacity	gal	18.5	18.5	18.5	18.5	18.5

Tires and wheels						
Tire dimensions	standard	225/50	225/50	225/50	225/50	225/50
Alloy wheel dimensions	standard	17x7.5	17x7.5	17x7.5	17x7.5	17x8.0

Brakes						
Front – diameter	in	12.8	12.8	13.7	13.7	13.7
Rear – diameter	in	12.6	12.6	13.6	13.6	13.6



All dimensions are shown in inches and apply to models with standard wheels.  
 NOTE: Measurements do not include vehicle width from mirror to mirror.

Figures in ( ) apply to vehicles with automatic transmission, if different from manual transmission.

<sup>1</sup>Top speed limited electronically.

<sup>2</sup>BMW AG test results. Actual acceleration results may vary, depending on specification of vehicle; road and environmental conditions; testing procedures and driving style. These results should be used for comparison only and verification should not be attempted on public roads. BMW urges you to obey all posted speed laws and always wear safety belts.

<sup>3</sup>EPA-estimated figures are for comparison purposes only. Your actual mileage will vary, depending on speed, driving habits, trip length and driving conditions; actual mileage will most likely be lower.

More about BMW



bmwusa.com  
1-800-334-4BMW

The Ultimate  
Driving Machine®

### BMW and the environment.

BMW is a strong proponent of the environment and social responsibility. It is important to manage the earth's resources responsibly, and not jeopardize the needs of future generations. That is why BMW makes vehicles that minimize adverse environmental impact, from production (pollution prevention and waste minimization at the plant) through owner use (low emissions) to eventual disposal (easy drainability of all fluid-related components and easy neutralization of all pyrotechnic devices).

This effort has been recognized worldwide and, as a result, we are pleased to have received numerous environmental honors. In the U.S., for example, the Environmental Protection Agency accepted BMW's Spartanburg, SC production and manufacturing facility as a charter member of the agency's National Environmental Performance Track. Internationally, BMW AG – the parent company of both BMW of North America and BMW Manufacturing Co., Spartanburg, SC – was the first automotive company to be represented on the Dow Jones Sustainability Group Index, and has remained on the Index ever since. At BMW, we strive for high performance in everything we do.

U.S. Importer: BMW of North America, LLC, Woodcliff Lake, NJ 07677. All illustrations and specifications contained in this brochure are based on the latest product information available at the time of printing. BMW reserves the right to make changes at any time, without notice, in colors, materials, equipment, specifications and models. BMW may, subject to legal requirements, determine the Model Year designation of its vehicles. The Model Year designation on any particular model may be longer or shorter than 12 months. Some vehicles pictured may contain non-U.S. equipment. Some models may be shown with optional equipment. While BMW NA makes all reasonable efforts to provide accurate information in this brochure, there is no guarantee or warranty of accuracy. Furthermore, we do not assume any liability for the accuracy or completeness of information presented. This brochure shall not be used or relied upon as a substitute for information that is available from your BMW center. Further information can be obtained from your authorized BMW center or bmwusa.com.

©2008 BMW of North America, LLC. Not to be reproduced wholly or in part without written permission of BMW NA. The BMW name, model names and logo are registered trademarks.

The **Bluetooth** word mark and logos are owned by the **Bluetooth SIG**, Inc. and any use of such marks by BMW is under license. iPod is a registered trademark of Apple Inc. Other trademarks and trade names are the property of their respective owners.

BMW recommends 

