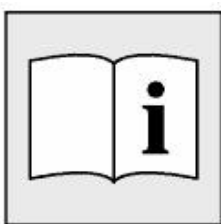
**Special tools required:**

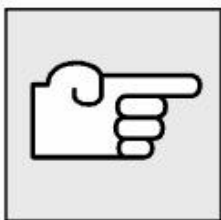
- 34 1 050
- 34 1 080
- 34 1 280

*Necessary preliminary tasks:*

- Remove wheels

Observe safety instructions on raising the vehicle.

If necessary, when replacing linings, reset CBS display in accordance with factory specification.

**Note:**

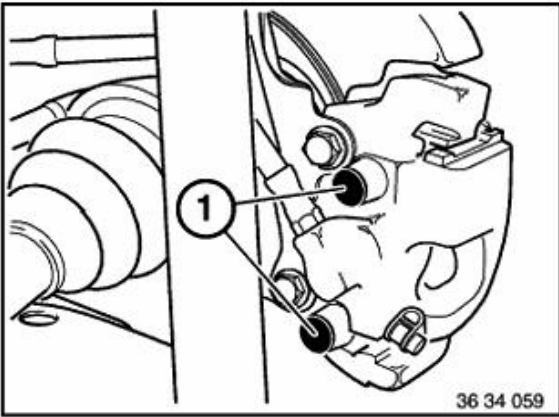
After completing work:

- Fully depress brake pedal several times so that brake linings contact brake disks.
- When installing new brake linings at front and rear axles, brake fluid level must be brought up to "MAX" marking.

Important!

On the E60 M5 and E63 M6 the fault memory entry "Mastervac vacuum pressure sensor" may be stored after the brake linings have been replaced.

The fault memory entry must be deleted. The vacuum pressure sensor only has to be replaced if the fault is entered repeatedly.

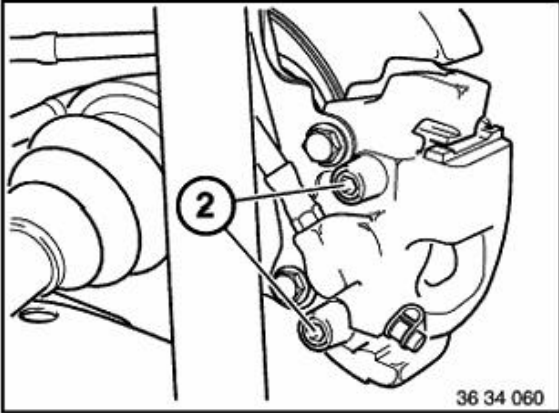


Remove plastic plugs (1).

Right side:

Disconnect plug connection for brake lining wear sensor.

If necessary, replace brake lining wear sensor.



Release guide screws (2) with special tool 34 1 080 .

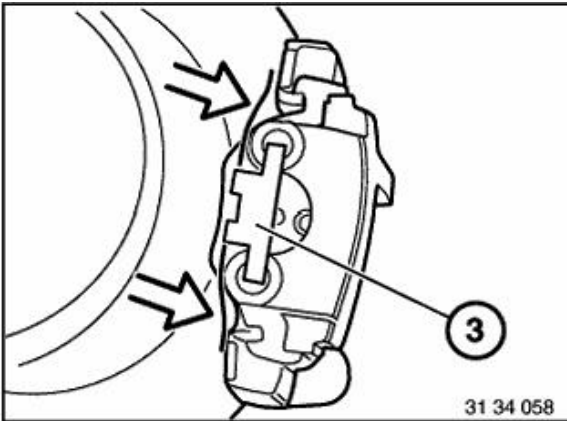
Installation:

Only clean guide screws; do not grease.

Check threads.

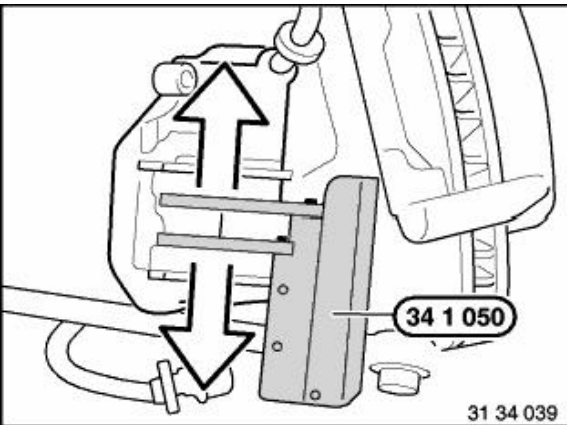
Replace all guide screws which are not in perfect condition.

Tightening torque 34 21 5AZ .



Lift out retaining spring (3).

Withdraw brake caliper backwards.

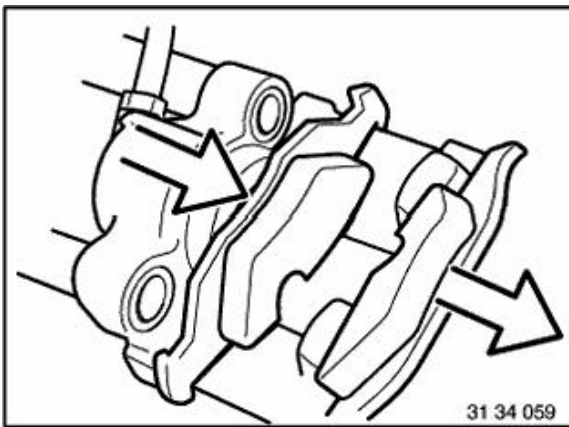


Turn piston fully back with special tool 34 1 050 .

Important!

When forcing piston back:

- Pay attention to brake fluid level in expansion tank; brake fluid that spills over will damage paintwork.



Remove outer brake lining.
 Inner brake lining is located with its spring in the piston.

Important!

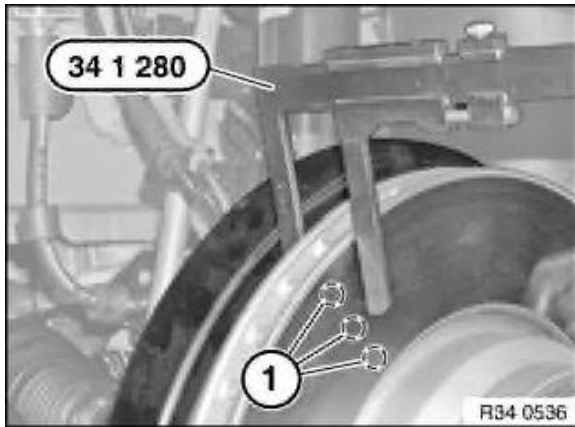
Mark any worn brake linings.

If the brake linings are worn on one side, they must not be mixed up!

Observe minimum thickness of brake linings.

Clean brake linings.

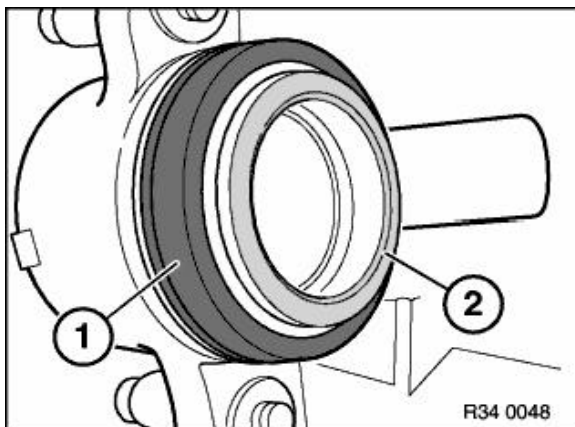
Do not apply grease to brake pad backplate.



Check minimum brake disk thickness:

- Position special tool 34 1 280 at three measuring points in area (1) and measure.
- Compare measurement result and lowest value with setpoint value.

New brake linings may only be installed if the brake disk thickness is greater than or equal to the minimum brake disk thickness (MIN TH).

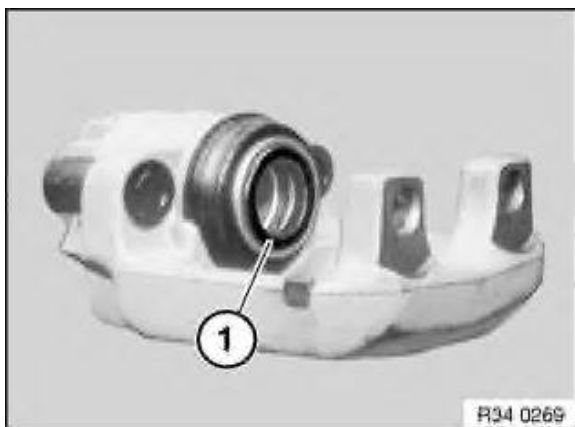


Check dust sleeve (1) for damage and replace if necessary.

Clean contact face (2) of brake piston and apply a thin coating of anti-squeak compound.

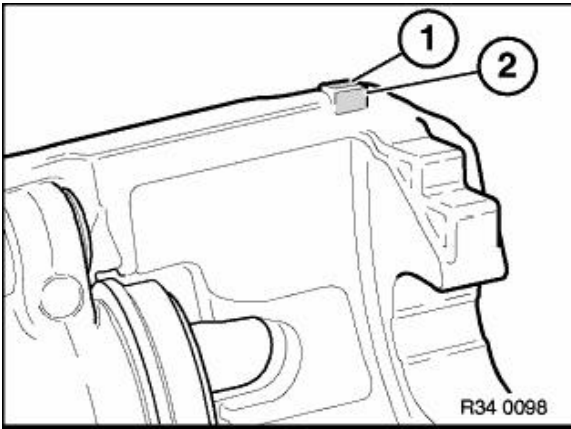
Important!

Dust sleeve must not come into contact with anti-squeak compound as this may cause the dust sleeve to swell.

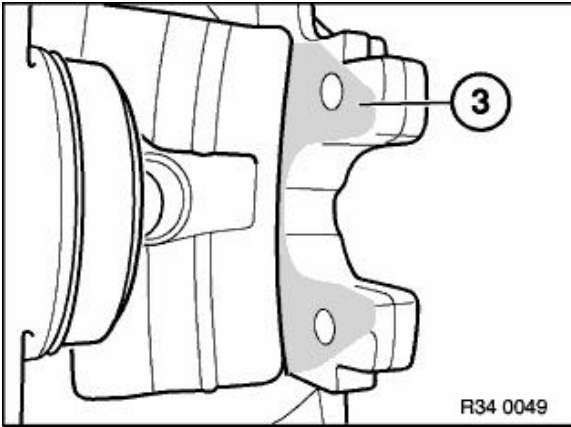


Important!

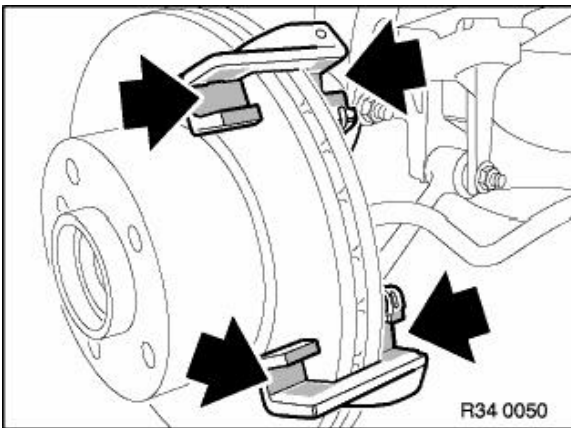
In E39/Touring models, make sure the insulating ring (1) is installed on the brake piston.



Clean mounting faces (1) and (2) of brake lining hammer heads/brake caliper housing and coat with anti-squeak compound.

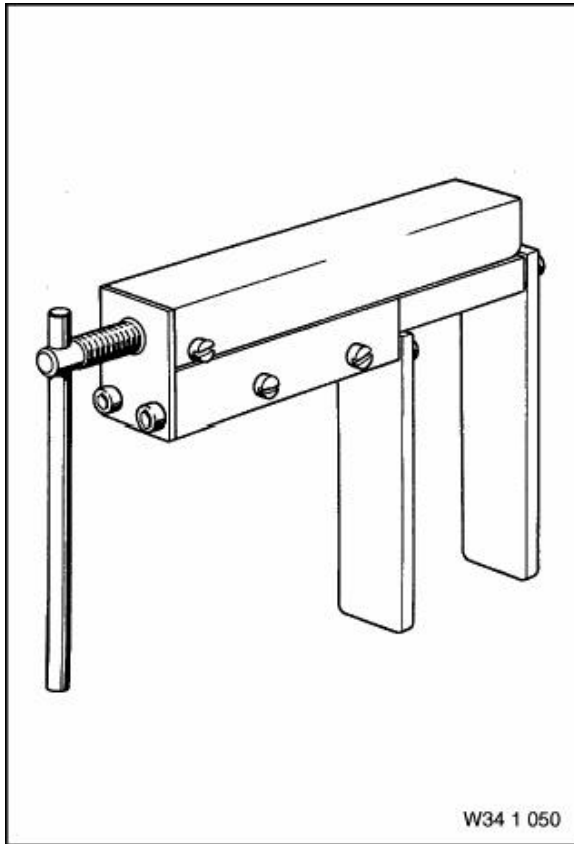


Clean contact face (3) of brake caliper and apply a thin coating of anti-squeak compound.



Clean brake caliper mounting bracket at hammer head guides and apply a thin coating of anti-squeak compound.

34 1 050 Fixture



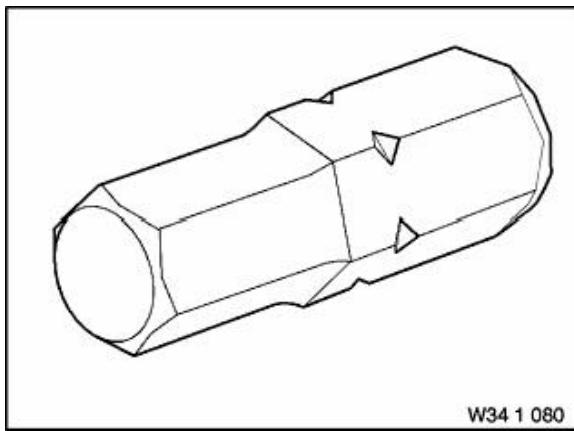
Note: For tuning back brake piston when fitting new brake pads, disc brakes front and rear

Series: E12, E21, E23, E24, E28, E30, E31, E32, E34, E36, E38, E39, E52, E53, E60, E61, E63, E64, E65, E66, E67, E83, E85, E86, E87, E90, E91, E92, E93

Order number: 34 1 050
Fixture

34 1 080 Bit insert

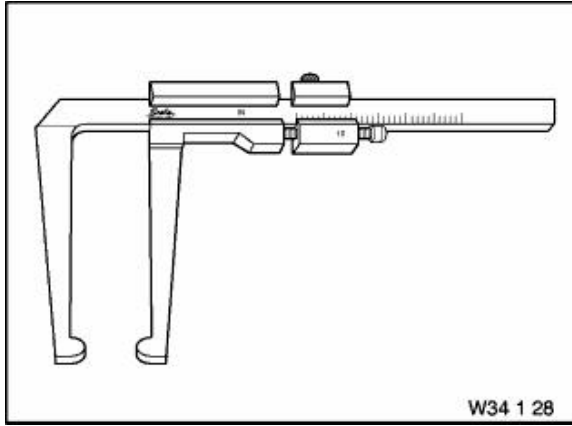
Minimum set: Mechanical tools



In conjunction with: Tool holder for 5/16" bit
Note: For loosening and tightening brake caliper bolts
Series: E31, E36, E38, E38/3, E39, E52, E53, E60, E61, E63, E64, E65, E66, E67
Storage location: B46
SI number: 1 15 99(483)
Order number: 34 1 080
Bit insert

34 1 280

Sliding caliper



Note:

For measuring brake disk thickness.

Series:

E31, E32, E34, E36, E38, E39, E46, E52,
E53, E60, E61, E63, E65, E66, E67, E83,
E85, E87, E90, E91

Order number:

34 1 280
Sliding caliper

34 21 Rear Brake

	Type	Thread	Tightening specification	Measure
1AZ Brake drum/disc to wheel hub	E39 / E38 / E46 / E52 / E53 / E83 / E85 / E86 / E65 / E66 / E67 / E60 / E61 / E63 / E64			16 Nm
2AZ Wheel brake cylinder to brake anchor plate	E36			10 Nm
3AZ Brake carrier on semi-trailing arm/wheel carrier	E65 / E66 / E67 / E60 / E61 / E63 / E64			110 Nm
	E46 / E85 / E86 / E86			65 Nm
	E83	M10	Replace micro-encapsulated screws	65 Nm
5AZ Guide bolt	E39 / E38 / E46 / E52 / E53 / E83 / E85 / E86 / E65 / E66 / E67 / E60 / E61 / E63 / E64	wrench size 7 mm		30 - 5 Nm
6AZ Protective plate to wheel carrier	E85 / E86 / E83	M6		9 Nm
	E85 / E86 / E83	M8		15 Nm
	E60 / E61 / E63 / E64 / E65 / E66 / E67	M6		12 Nm