

The new
BMW Z4 M Coupé

The new
BMW Z4 M Roadster



Sheer
Driving Pleasure



Take your pulse for a spin.
up to 8000 rpm.



8000 rpm

5200 rpm

5500 rpm

5900 rpm

6500 rpm

Shift down.
Blast off.

8000 rpm
7200 rpm
6500 rpm
5900 rpm

8000 rpm
5500 rpm





7700 rpm

8000 rpm

7500 rpm

7200 rpm

6900 rpm

Many forces are at work
in a bend. The greatest
bears the letter "M".



The shape of
thrills to come.

Amidst urban sprawl,
one face etched in the memory.



How much adrenaline
can you take?





An “M” says more
than a thousand words.

1. Door sill trim with M logo. 2. Info Display with white-illuminated speedometer and rev counter scales with variable pre-warning field and red-illuminated needles. 3. M light-alloy wheels: double-spoke 224 M. 4. Two dual tailpipes in chromed stainless steel. 5. Illuminated gear lever. 6. Multifunction M leather steering wheel.



Standard equipment
 Optional equipment
 — Not available

Safety	Z4 M Roadster	Z4 M Coupé
Airbags:		
– Driver and front passenger airbags, seat occupancy detector for front passenger airbag	■	■
– Side airbags for driver and front passenger	■	■
Alarm system	□	□
Auxiliary indicator lights in front side panels , integrated into BMW emblem	■	■
Brake force display	■	■
Brake light , third	■	■
Bumper system with replaceable deformation zones front and rear (for impacts up to 15 km/h); regenerating deformation elements at the front absorb impacts of up to 4 km/h without damage	■	■
Central locking , locks doors, boot lid, fuel filler cap, storage compartment at the back between the seats, and soft-top (Z4 M Roadster)	■	■
Child seat fastening , ISOFIX, on passenger seat (with airbag deactivation)	□	□
Compound high-performance brakes , 18-inch, floating-mounted, inner-vented front and rear	■	■
Dynamic Stability Control (DSC) with additional functions, incl. ABS and DBC	■	■
Emergency luggage compartment lock release	■	■
Flat tyre indicator	■	■
Interior and exterior mirrors , automatic anti-dazzle	□	□
Interior mirror , automatic anti-dazzle	□	□
M Mobility System	■	■
Park Distance Control (PDC)	□	□
Roll-over safety system	■	—
Safety belts , automatic with belt tensioner	■	■
Side impact protection , integrated	■	■
Xenon headlights , low and high beam incl headlight washing system	■	■

Engine	Z4 M Roadster	Z4 M Coupé
6-cylinder in-line petrol engine with 4-valve technology, electronic throttle butterfly control	■	■
Digital Motor Electronics (DME)	■	■
Emissions standard EU4	■	■
Exhaust system , double-flow, with two dual circular chromed tailpipes	■	■
Light-alloy cylinder head	■	■
M Double-VANOS	■	■

Standard equipment
 Optional equipment
 Not available

Transmission/suspension	Z4 M Roadster	Z4 M Coupé
6-speed manual gearbox	■	■
Central arm rear axle	■	■
Driving Dynamic Control (sport mode)	■	■
M differential lock	■	■
M specific hydraulic power steering	■	■
M specific suspension	■	■
Single-joint spring strut front axle	■	■

Interior features	Z4 M Roadster	Z4 M Coupé
Armrest at the front	■	■
Automatic air conditioning	■	■
Cruise control	□	□
Foot mats in velour	■	■
Gear lever and handbrake lever cover, leather	■	■
Glove compartment, lockable	■	■
Handbrake lever handle and gear lever knob, leather	■	■
Headlight range control, automatic	■	■
Instrument panel with circular speedometer and rev counter (with variable pre-warning field) plus fuel and oil temperature gauges	■	■
Interior light, front, centre with delay function	■	■
Interior lights package	■	■
Interior mirror, trapezoid-shaped	■	■
Interior trims:		
– Brushed Aluminium, fine-grain	■	■
– Carbon-look leather, black	□	□
– Fine wood Madeira, red-brown	□	□
“LIGHTS ON?” Warning	■	■
Luggage compartment light	■	■
Luggage compartment with textile lining, capacity 200 to 220 litres (Z4 M Coupé: 245 – 300 litres)	■	■
M leather steering wheel with multifunction	■	■
Navigation systems*:		
– Business, incl. Radio BMW Business (without CD drive), LC display integrated into the radio control panel	□	□
– Professional, incl. Radio BMW Business CD, with fold-out 16:9 screen	□	□
– Professional, with integrated Bluetooth mobile phone preparation (incl. emergency call function)	□	□
– TV function for navigation system Professional for analogue and digital broadcasts	□	□

* Navigation systems not available in all countries. Please consult your BMW partner.

Standard equipment
 Optional equipment
 Not available

Interior features	Z4 M Roadster	Z4 M Coupé
On-board computer	■	■
Preparation for mobile phone with Bluetooth interface	□	□
Radio/Audio:		
– 6-disc CD changer	□	□
– HiFi loudspeaker system	□	□
– HiFi loudspeaker system Professional	□	□
– MD drive (with navigation system Professional only)	□	□
– Radio BMW Business CD	■	■
Rain sensor , incl. automatic driving lights control	□	□
Remote control for central locking	■	■
Roof lining in Anthracite	–	□
Seat/seat comfort:		
– M sports seats for driver and passenger	■	■
– Seat adjustment, electric, with memory function for driver's seat	□	□
– Seat heating for driver and passenger	■	■
Smoker package (at no extra cost)	□	□
Steering wheel column , adjustable for reach and height, manually	■	■
Storage compartment at the back between the seats approx. eight litres, lockable via central locking (reduced capacity with CD changer, Hi Fi system and/or navigation system)	■	■
Storage package incl. cup holders	□	□
Sun visors with vanity mirror , with slide covers for driver and front passenger	■	■
Tool kit (integrated into the battery well)	■	■
Upholstery:		
– Walknappa leather	■	■
– Walknappa full leather	□	□
Variable soft top storage box	■	–
Voice control system	□	□
Warning triangle and first aid kit	■	■
Window lifts, electric , with push/pull switches and trap release	■	■

■ Standard equipment □ Optional equipment — Not available

Exterior features	Z4 M Roadster	Z4 M Coupé
Boot lid opening, electric , via interior push-button or key-integrated remote control	■	■
Bumpers in body colour	■	■
Door sill trim with BMW logo	■	■
Exterior door handles in body colour	■	■
Exterior mirrors in body colour , electrically adjustable, aspheric	■	■
Exterior mirror package , exterior mirror with electric fold-in function	□	□
Glass rear window, heated	■	■
Hardtop¹	□	—
Hardtop, preparation	□	—
Headlight surrounds in chrome matt	■	■
Heat insulation glass, green , front and side windows (Z4 M Coupé: also rear windscreen)	■	■
Light-alloy wheels double-spoke 224M with mixed tyres, 18 inch ²	■	■
Metallic paintwork	□	□
Model designation , deletion (at no extra cost)	□	□
Ornamental front grille with chrome edging and black kidney slats	■	■
Soft top:		
– Black	■	—
– Dark beige ³	□	—
– Grey ³	□	—
Soft top operation , fully automatic	■	—
Twin-tone horn	■	■
Windscreen washer nozzles on the bonnet , heated, incl. heated exterior mirrors	■	■
Windscreen with green shade band	□	□
Wind deflector	□	—
White indicator lights	■	■

¹ Available as original BMW Accessory.

² Incl. wheel security bolts.

³ At no extra cost.

BMW Recycling.

Your BMW is the product of a comprehensive recycling concept. But what exactly does that mean in practice? It means that all the requirements of recycling are taken into account from the start, in the initial development of a BMW. One example is the choice of materials carefully selected to preserve resources and ensure efficient recycling compatible with the environment. Each BMW is designed and built for simple and economic recycling after its – long – running life. We have been collecting the know-how required for this purpose ever since 1994 at the unique BMW Recycling and Dismantling Centre (RDC) near Munich. Please contact your BMW partner on all matters regarding your end-of-life vehicle. He will be happy to advise you.

The models illustrated in this brochure show the specifications for the German market. In part, they include optional equipment and accessories not fitted as standard. According to the specific requirements of other markets, alterations in models, standard and optional equipment, as described in this brochure, may occur. For precise information on model features and the exact level of equipment, please contact your BMW partner. Subject to change in design and equipment.

© BMW AG, Munich/Germany. Reproduction, in part or in whole, only with written permission from BMW AG, Munich.

Technical data

Weight		Z4 M Roadster	Z4 M Coupé
Unladen EU ¹	kg	1485	1495
Max permissible	kg	1780	1805
Permitted load ¹	kg	295	310
Permitted axle load, front/rear	kg	840/910	855/935

Engine²		Z4 M Roadster	Z4 M Coupé
Cylinders/valves		6/4	6/4
Capacity	cc	3246	3246
Stroke/bore	mm	91.0/87.0	91.0/87.0
Max output/rpm	kW/rpm	252/7900	252/7900
	hp/rpm	343/7900	343/7900
Max torque/rpm	Nm/rpm	365/4900	365/4900
Compression ratio	:1	11.5	11.5

Transmission		Z4 M Roadster	Z4 M Coupé
Standard transmission ratios	I/II:1	4.35/2.50	4.35/2.50
	III/IV:1	1.67/1.23	1.67/1.23
	V/VI/R:1	1.00/0.85/3.93	1.00/0.85/3.93
Rear axle transmission ratio	:1	3.62	3.62

Performance		Z4 M Roadster	Z4 M Coupé
Top speed	km/h	250 ⁴	250 ⁴
Acceleration 0–100 km/h	s	5.0	5.0
Acceleration 0–1000 m	s	23.7	23.7
Acceleration 80–120 km/h in 4th/5th gear (with standard transmission)	s	5.0/6.5	5.0/6.5

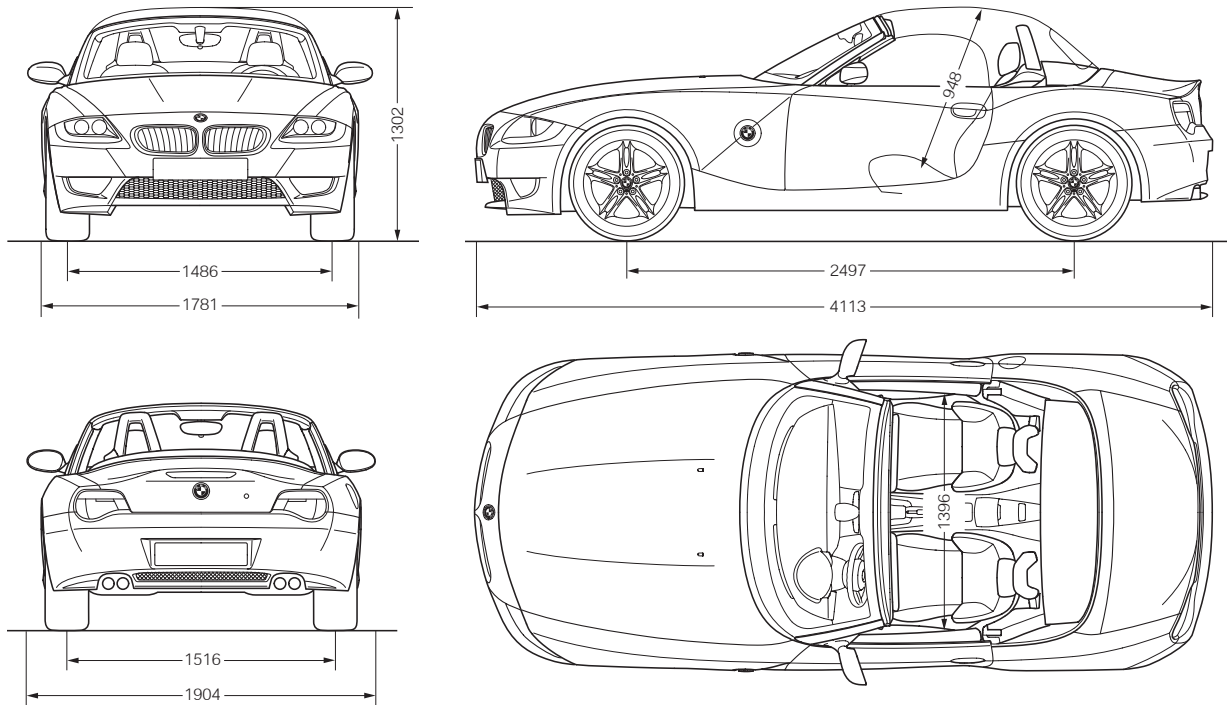
Fuel consumption³		Z4 M Roadster	Z4 M Coupé
Urban	l/100 km	18.2	18.2
Extra-urban	l/100 km	8.6	8.6
Combined	l/100 km	12.1	12.1
CO ₂ emissions	g/km	292	292
Tank capacity approx	l	55	55

Wheels		Z4 M Roadster	Z4 M Coupé
Tyre dimensions	F/R	225/45 ZR 18/255/40 ZR 18	225/45 ZR 18/255/40 ZR 18
Wheel dimensions	F/R	8 J x 18/9 J x 18	8 J x 18/9 J x 18
Material		light-alloy	light-alloy

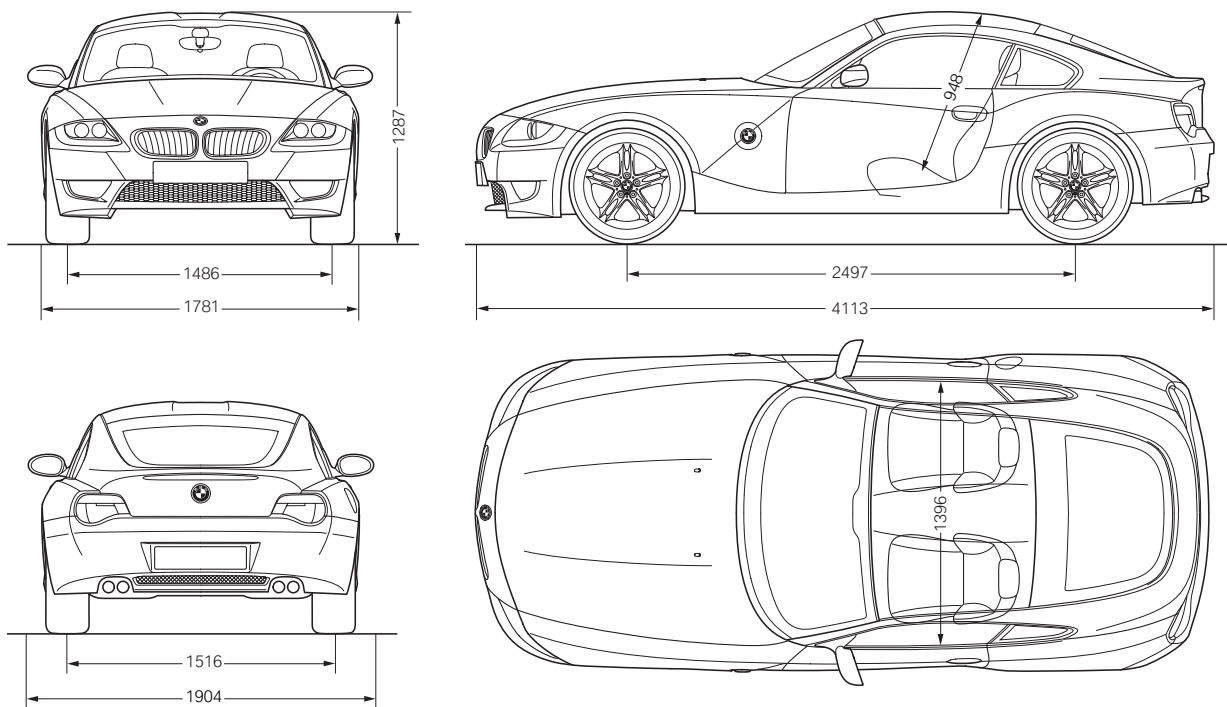
Electrical system		Z4 M Roadster	Z4 M Coupé
Battery capacity	Ah	70	70
Alternator output	A	147	147
	W	2058	2058

Explanations on footnotes to be found on the following page.

BMW Z4 M Roadster



BMW Z4 M Coupé



All dimensions in the technical drawings are given in millimetres. Luggage capacity up to 200 – 220 litres on the BMW Z4 M Roadster and 245 – 300 litres on the BMW Z4 M Coupé (VDA measurement).

¹ Figures are based on a 90% fill-up, driver's weight of 68 kg and 7 kg of luggage. Unladen weight applies to vehicles with standard equipment. Optional extras may increase these figures.

² Engine designed for use with RON 98 fuel. Use of RON 95 fuel may result in reduce engine output and increased fuel consumption.

³ Engine conforms to the EU4 emission standard. Fuel consumption is determined according to the ECE combined driving cycle in which approx one third of the distance covered is in urban traffic and two thirds are extra-urban driving. CO₂ emissions are measured in addition to fuel consumption.

⁴ Electronically limited.