

Panorama Sunroof: Closing and Fixing.

Often the sunroof problems start with a rear roof that cannot be closed.

First thing to do is to close the rear roof manually.

After that you can choose to execute the modification, which disables the rear roof.

Closing the rear roof manually:

When the roofliner is fully open you can manually close the rear roof from inside the car, otherwise you have to try to reach the rear mechanism (the control carriage, nr 6 of the overview picture in this document) from outside.

1. Remove the panel above your centre rear view mirror to get access to the sunroof motor.
(this is described in your cars owners manual)
2. When your rear sunroof is open, in the opening gap you can see the control carriage (number 6 in the overview picture). There is one Left and Right.
3. Take a screw driver and push both carriages backwards (use some but not extreme force). Possibly you can move one side and not the other, this is the symptom of the defect.
4. Take your (on board) hex/allen wrench tool, put in the hex hole of the motor above your rear view mirror.
5. Manually close the roof.
6. Donot tilt the roof again before you made the attached modification, otherwise you have to repeat above steps. (so donot push the vent button.)

The modification

This modification describes how you can mechanically and permanently disable the rear roof.

After the modification you can normally use all functions of the front roof.

So you can tilt (vent position) the front roof and you can slide it open.

Also the roofliner works normally. But of course the rear roof will not open anymore.

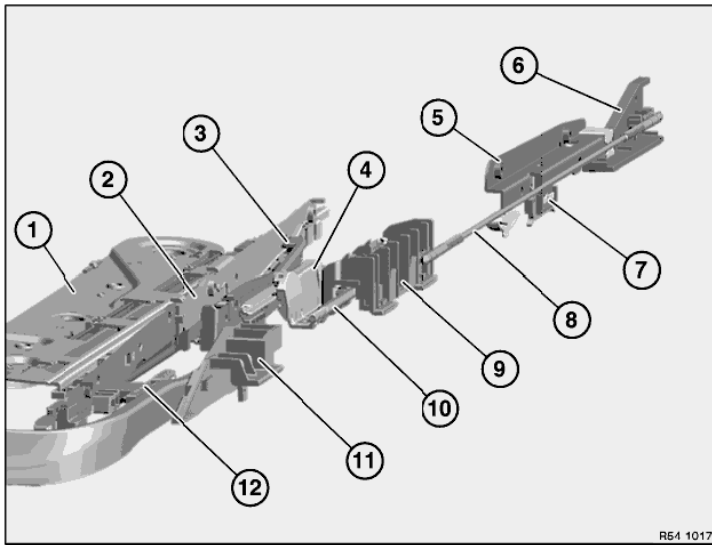
Remark:

Although it is a simple modification you have to work carefully. And of course it is at your own risk

The mechanism:

Have a look at the mechanism. We are looking for the Drive Cable Plate, part 9 in the picture.
(mechanism parts 4, 5, 6, 7 8 and 9 activate the rear roof.)

Overview of glass lid mechanism:



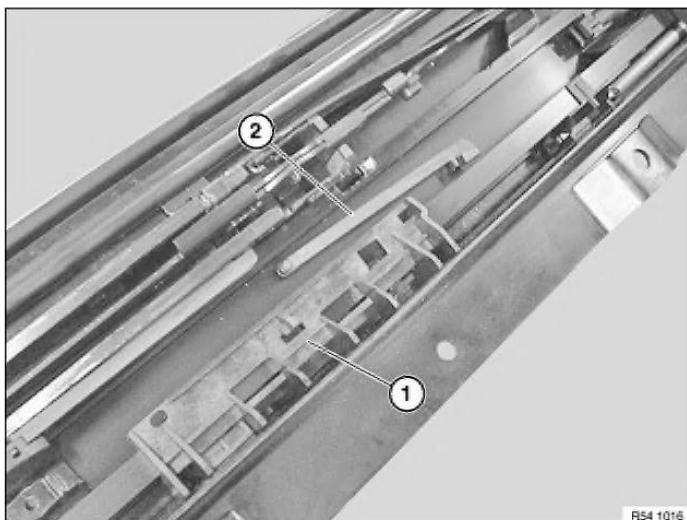
- | | | | |
|---|----------------------------------|----|--|
| 1 | Floating roofliner mechanism | 7 | Spring retainer |
| 2 | Mechanism, front glass lid | 8 | Drive cable, rear glass lid (connecting link) |
| 3 | Drive wedge | 9 | Drive cable plate |
| 4 | Drive plate | 10 | Drive cable, front glass lid (connecting link) |
| 5 | Mechanism, rear glass lid | 11 | Control carriage, wind deflector |
| 6 | Control carriage, rear glass lid | 12 | Slide element |

Modification Step 1.

The modification procedure starts with opening the roofliner and the front roof (slide them fully open).
If this cannot be done by the electric mechanism you have to do this manually with the allen wrench tool.

Step 2:

Remove the guide, see part 2 in below picture and its spring from the Drive cable plate 1.
(This picture is showing a disassembled roof only for demonstration)



Step 3:

Locate the triangle shaped front of the drive cable plate.

(The guide and spring is still in place at the upper right side of this picture)



Step 4:

Take a Dremel tool (or look-a-like) and cut away the triangle shaped front corner of the drive cable plate. Take care not to damage the rail.

(In below picture you can see that the triangle has been cut away and the guide and spring are removed)



Step 5: repeat step 2,3 and 4 for the left side mechanism.

Step 6: Initialization of your sunroof

Put your key / fob in the slot and turn the car ON (ie don't start it - but push the start button with your foot OFF the break/clutch)

Now, push and HOLD the sunroof button up (vent position).

After about 15 to 20 seconds, the sunroof will vent: **CONTINUE HOLDING THE BUTTON UP.**

After about 15 to 20 seconds (keep holding) , the sunroof will close, then open completely, then close completely.

The roofliner will also open and close.

Once the sunroof has closed completely, the process is over.

It's important that you do not let go of the button during the procedure, otherwise you have to start all over again.

Warnings might come up on i-drive or the on-board-computer. That is normal during this initialization.

That's it, your roof should be working fine now.