



## SUBJECT

### Remote Control Malfunction or Radio Reception Problem

## MODEL

E61 (5 Series Sports Wagon) produced up to 1/2008

## SITUATION

The remote key fob may be inoperable, and/or the customer may notice poor radio reception.

## CAUSE

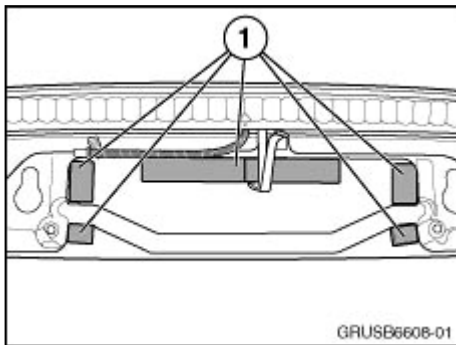
The diversity antennae located under the rear (tailgate) spoiler may have been water-damaged due to the spoiler and the antennae trim not fitting properly.

## CORRECTION

Install foam spacers at specified locations on the underside of the rear spoiler.

## PROCEDURE

1. Remove the rear spoiler per Repair Instruction RA 51 71 412.
2. Remove the plastic trim panel covering the diversity antennae.
3. Inspect the antennae and connectors for signs of water damage.
4. Replace any water-damaged components.
5. Turn the spoiler over and if any foam spacers are present on the center section, remove them.



6. Install the 5 new foam spacers (1) to the areas identified in the illustration.

7. Reinstall the rear spoiler. Ensure that the plastic cover for the diversity antennae is fully seated as the spoiler is being installed.

## PARTS INFORMATION

Part Number	Description	Quantity
51 62 7 227 117	Foam spacer 200X25X10mm	1
51 62 7 227 118	Foam spacer 42X25X8mm	2
51 62 7 227 119	Foam spacer 20X25X8mm	2

## WARRANTY INFORMATION

Covered under the terms of the BMW New Vehicle Limited Warranty.

**Defect Code:**            **66 10 03 15 00**            Remote receiver inoperative

Or

**65 25 01 12 00**            **Diversity antennae inoperative**

<b>Labor Operation:</b>	<b>Labor Allowance:</b>	<b>Description:</b>
51 71 412*	Refer to KSD	Remove and install the rear spoiler
51 99 000	1 FRU	Work time to install foam spacers

**NOTE:** Additional labor operations may be claimed if water-damaged components are replaced as parts of this Service Information Bulletin

\*Main Work - use this labor operation number when this is the only repair being performed, or if this is the main repair when performed along with other repairs at the same time. If this is not the main repair, refer to KSD for the associated (+) labor operation code.