

Original BMW Accessories. Installation Instructions.



LCI conversion

BMW 5 Series Touring (E61) from 03/05

BMW 5 Series Saloon (E60) from 03/05

Installation instructions only valid for cars with SA 522 (BiXenon) or SA 524 (AHL).

Retrofit kit No.	61 12 0 432 110	Retrofit cable set facelift lights E60
	61 12 0 432 397	Retrofit cable set facelift lights E61

Installation time

The installation time is **approx. 5.5 hours**. This may vary depending on the condition of the car and the equipment in it.

In general the car must be upgraded to the latest I stage status by flashing before starting the work. Depending on the production age of the car and the work already carried out on the car, the programming times will vary, which means that we cannot quote a specific time at this point. The installation time does not include any time for programming/encoding, as this depends on the age of the car and the equipment in it.

Important information

These installation instructions are primarily designed for use within the BMW dealership organisation and by authorised BMW service companies.

In any event, the target group for these installation instructions is specialist personnel trained on BMW cars with the appropriate specialist knowledge.

All work must be completed using the latest BMW repair manuals, circuit diagrams, servicing manuals and work instructions, in a rational order, using the prescribed tools (special tools) and observing current health and safety regulations.

If you experience installation or function problems, restrict troubleshooting to approx. 0.5 hours for mechanical work and 1.0 hour for electrical work.

In order to reduce costs and avoid any additional expense, send a query immediately to the Technical Parts Support via the Aftersales Assistance Portal (ASAP).


Specify the following information:


- Chassis number
- Part number of the retrofit kit
- Detailed description of the problem
- Any work already carried out

Do not archive the hard copy of these installation instructions since daily updates are made by ASAP!

All pictures show LHD cars; proceed accordingly on RHD cars.

Pictograms

 Denotes instructions that draw your attention to dangers.

 Denotes instructions that draw your attention to special features.

◀ Denotes the end of the instruction or other text.

Installation information

Some of the installation is shown only on the left-hand side of the car, proceed in the same way on the right-hand side of the car.

Ensure that the cables and/or lines are not kinked or damaged as you install them in the car. The costs thereby incurred will not be reimbursed by BMW AG.

Additional cables/lines that you install must be secured with cable ties.

If the specified PIN chambers are occupied, bridges, double crimps or twin-lead terminals must be used.

Ordering instructions

Ordering instructions can be found in EPC table no.: 63 95 631048.

List of special equipment

The following special equipment must be taken into consideration when installing the retrofit kit:

SA 522 BiXenon

SA 524 AHL

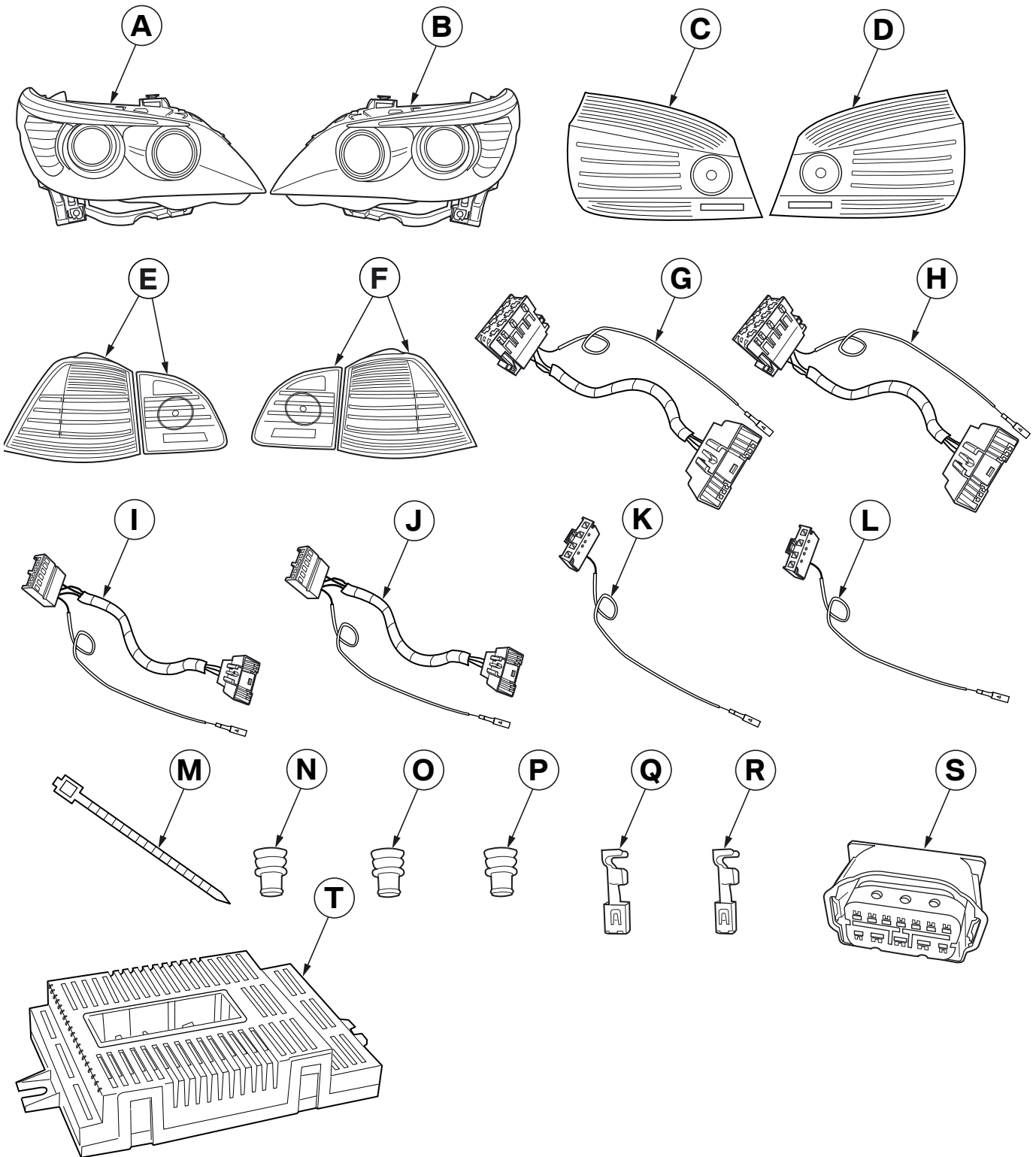
Special tools required

00 9 317 Trim wedge

Table of contents

Section	Page
1. Parts list	4
2. Preparatory work.....	6
3. Installation and cabling diagram E60	8
4. Installation and cabling diagram E61	9
5. Connection diagram rear lights E60.....	10
6. Connection diagram rear lights E61.....	11
7. To install the LCI adapter cable	13
8. Concluding work and coding	18
9. Circuit diagram BiXenon headlights	19
10.Circuit diagram AHL headlights.....	20
11.Circuit diagram rear lights E60.....	21
12.Circuit diagram rear lights E61.....	22
13.Legend	23

1. Parts list



060 0320 E

1. Parts list

Legend

A LCI headlight right (1x)

B LCI headlight left (1x)

C LCI headlight left (E60) (1x)

D LCI headlight right (E60) (1x)

E LCI rear light left (E61) (1x)

F LCI rear light right (E61) (1x)

G Rear light adapter left (E60) (1x)

H Rear light adapter right (E60) (1x)

I Rear light adapter left (E61) (1x)

J Rear light adapter right (E61) (1x)

K Tailgate adapter left (E61) (1x)

L Tailgate adapter right (E61) (1x)

M Cable tie (30x)

N Yellow seal (6x)

O Green seal (8x)

P Black seal (10x)

Q Socket contact 2.5 mm (6x)

R Socket contact 1.0 mm (18x)

S SW 12-pin socket casing (2x)

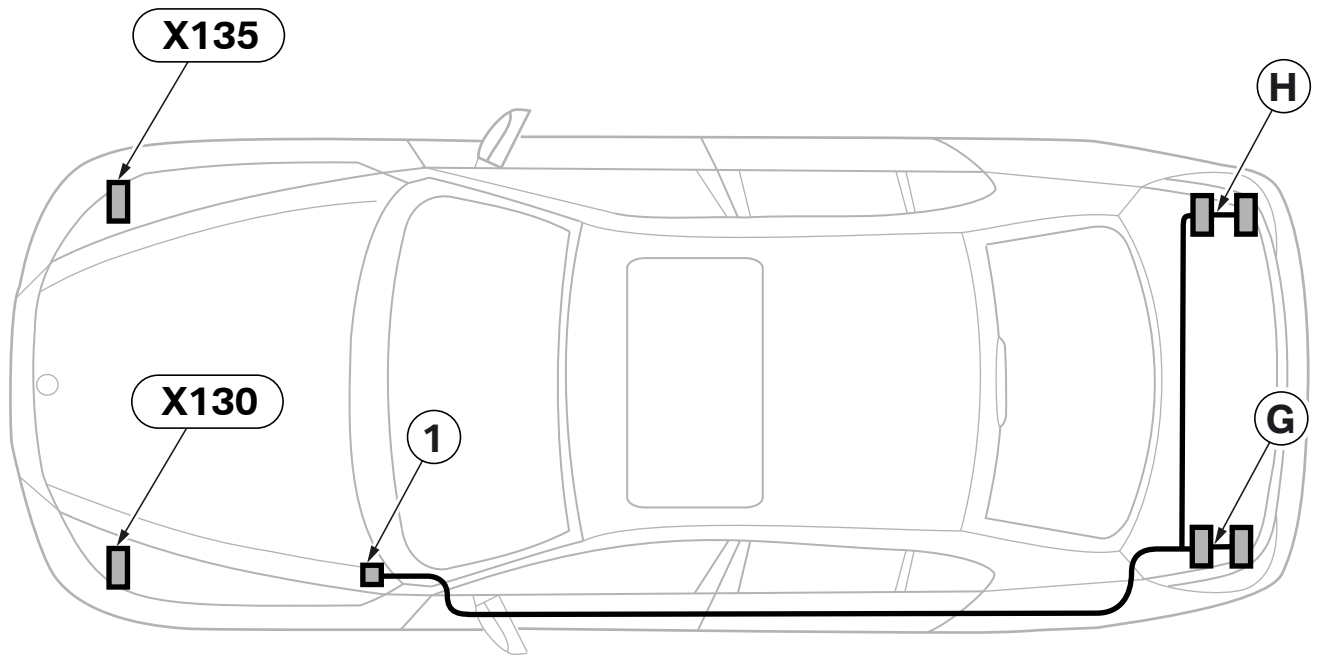
T Light module (1x)

2. Preparatory work

	TIS No.
Conduct a brief test	—
Disconnect negative pole of battery	12 00 ...
The following components must be removed first of all	
Left headlight	63 12 010
Right headlight	63 12 012
Footwell trim, left	51 45 185
Side footwell trim on the left A pillar	51 43 075
Door sill cover strip on the front left	51 47 000
Door sill cover strip on the rear left	51 47 030
Rear seat bench	
Left luggage compartment wheel arch trim	51 47 151
Remove and install the light module	61 35 285
Left side wall luggage compartment panel	51 47 210
Luggage compartment floor trim with storage package	51 47 . . .
Rear closing panel trim	51 46 050
Right side wall luggage compartment panel	51 47 220
Rear lights, left and right	63 21 180
Transfer xenon light bulb	63 99 076
Transfer xenon light control unit	63 12 860
Transfer xenon light ignition	63 12 870
Additionally for E61 Touring	
Remove and install trim for tailgate	51 49 000
Remove and install inside side trim for tailgate	51 49 022
Lower the headlining at the rear	51 44 . . .

	TIS No.
Interior rear lights, left and right	63 21 183
Additionally for AHL headlights	
Transfer AHL actuator	63 12 895

3. Installation and cabling diagram E60



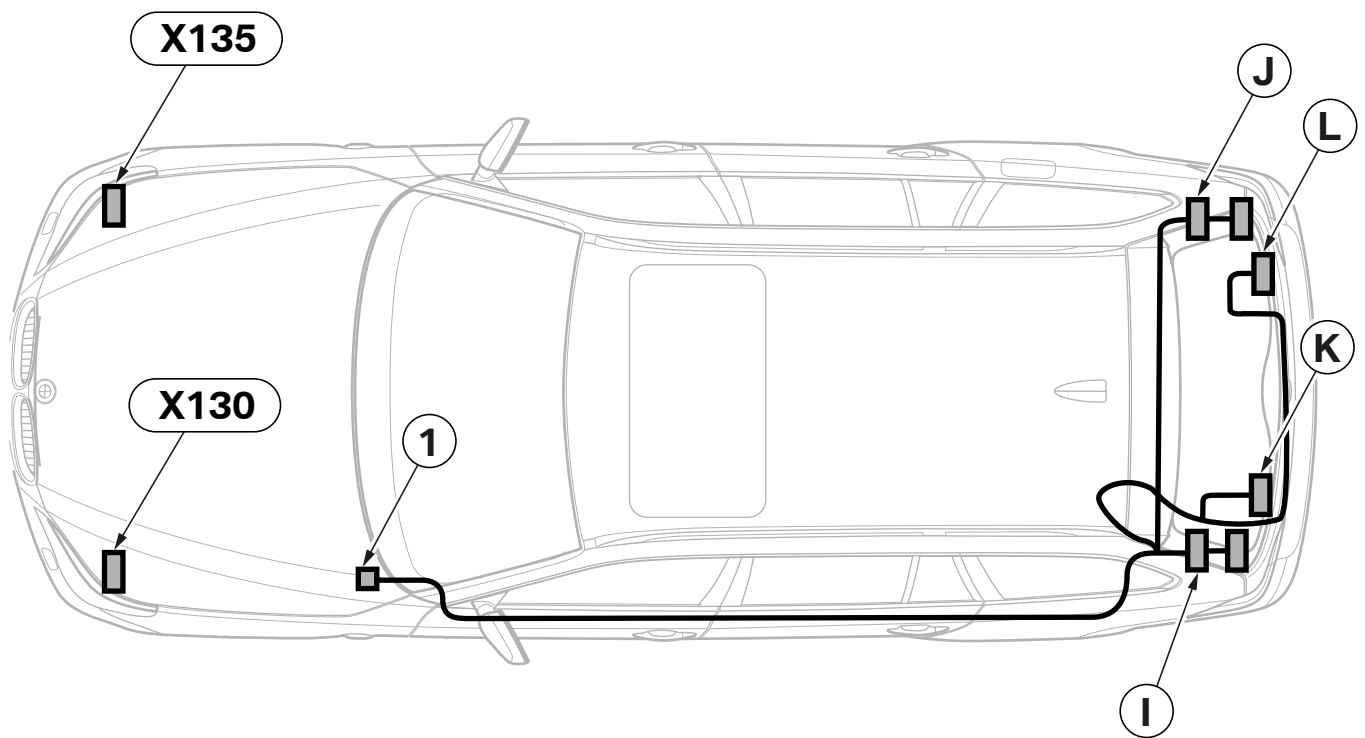
060 0321 E

Legend

G Left rear light adapter
H Right rear light adapter

1 Light module
X130 Left headlight
X135 Right headlight

4. Installation and cabling diagram E61



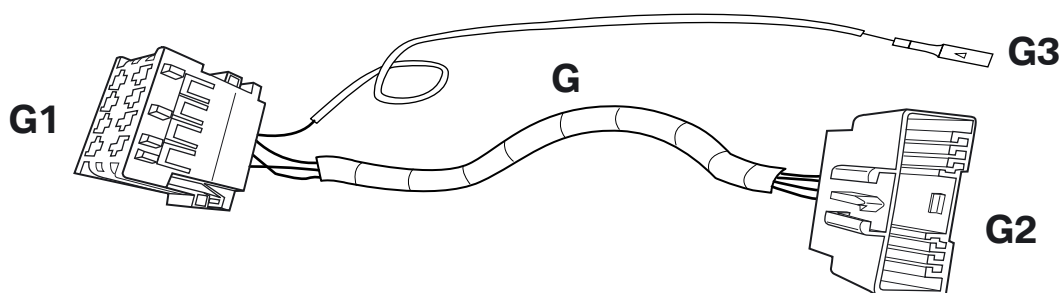
060 0322 E

Legend

- I** Left rear light adapter
- J** Right rear light adapter
- K** Left tailgate adapter
- L** Right tailgate adapter

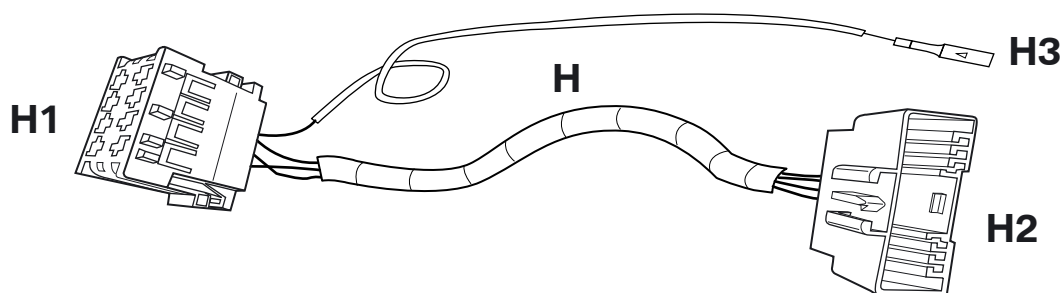
- 1** Light module
- X130** Left headlight
- X135** Right headlight

5. Connection diagram rear lights E60



060 0323 E

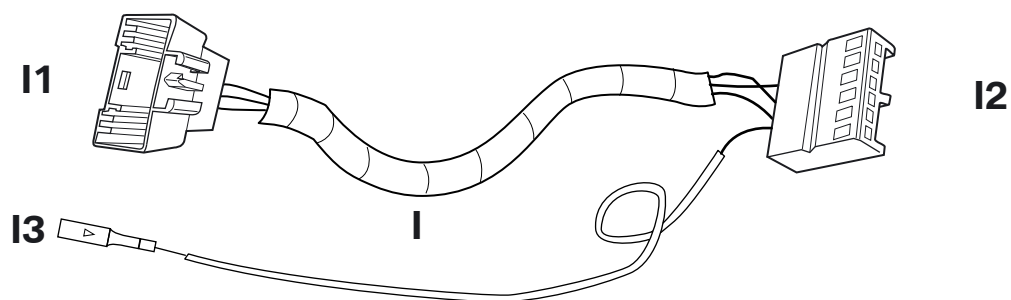
Item	Designation	Signal	Cable colour / Cross-section	Connection location in the car	Abbreviation / Slot
G	Left rear light adapter	---	---	---	---
G1	SW 8-pin socket casing	---	---	To left rear light	X338 S
G2	SW 6-pin plug casing	---	---	To standard wiring harness	X338 B
G3	Socket contact	SL+SML	WS/RT 0.75 mm ²	To light module	X12 pin 62



060 0324 E

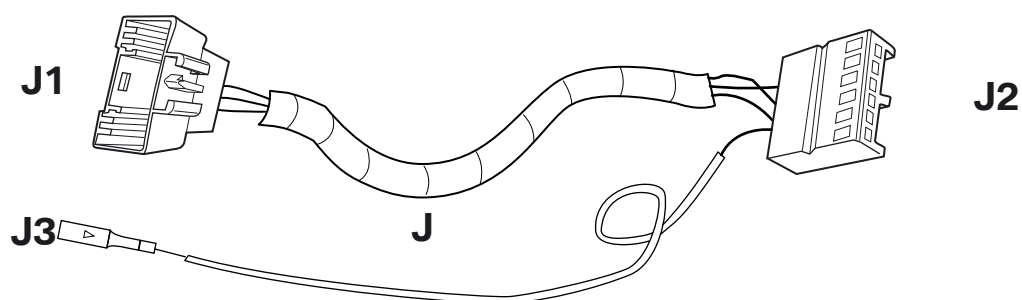
Item	Designation	Signal	Cable colour / Cross-section	Connection location in the car	Abbreviation / Slot
H	Right rear light adapter	---	---	---	---
H1	SW 8-pin socket casing	---	---	To right rear light	X339 S
H2	SW 6-pin plug casing	---	---	To standard wiring harness	X339 B
H3	Socket contact	SL+SML	WS/SW 0.75 mm ²	To light module	X12 pin 5

6. Connection diagram rear lights E61



060 0325 E

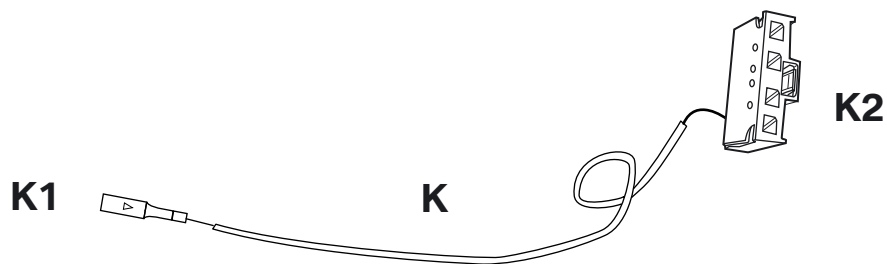
Item	Designation	Signal	Cable colour / Cross-section	Connection location in the car	Abbreviation / Slot
I	Left rear light adapter	---	---	---	---
I1	GN 4-pin plug casing	---	---	To standard wiring harness	X319 B
I2	SW 6-pin socket casing	---	---	To left rear light	X319 S
I3	Socket contact	SL+SML	SW/RT 0.75 mm ²	To light module	X12 pin 62



060 0326 E

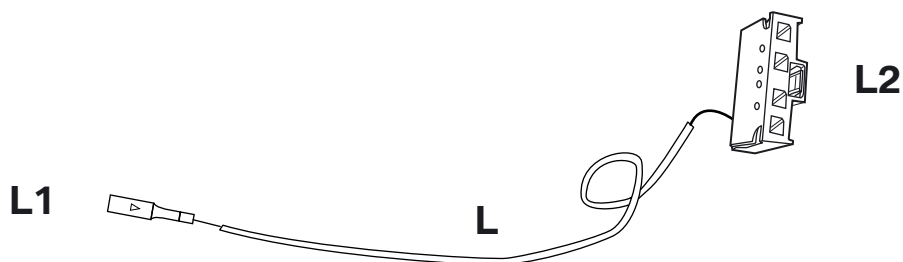
Item	Designation	Signal	Cable colour / Cross-section	Connection location in the car	Abbreviation / Slot
J	Right rear light adapter	---	---	---	---
J1	GN 4-pin plug casing	---	---	To standard wiring harness	X318 B
J2	SW 6-pin socket casing	---	---	To right rear light	X318 S
J3	Socket contact	SL+SML	SW/BR 0.75 mm ²	To light module	X12 pin 5

6. Connection diagram rear lights E61



060 0327 E

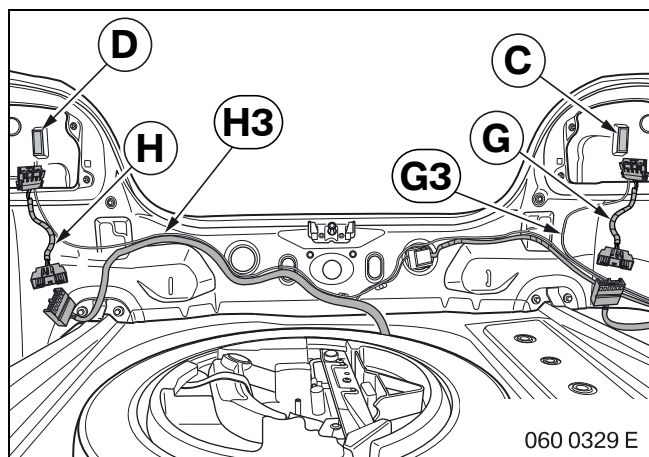
Item	Designation	Signal	Cable colour / Cross-section	Connection location in the car	Abbreviation / Slot
K	Left tailgate adapter	---	---	---	---
K1	Socket contact	SL	GR/GN 0.75 mm ²	To light module	X12 pin 25
K2	SW 4-pin socket casing	---	---	To left tailgate light	X329 S



060 0328 E

Item	Designation	Signal	Cable colour / Cross-section	Connection location in the car	Abbreviation / Slot
L	Right tailgate adapter	---	---	---	---
L1	Socket contact	SL	GR/GE 0.75 mm ²	To light module	X12 pin 40
L2	SW 4-pin socket casing	---	---	To right tailgate light	X328 S

7. To install the LCI adapter cable

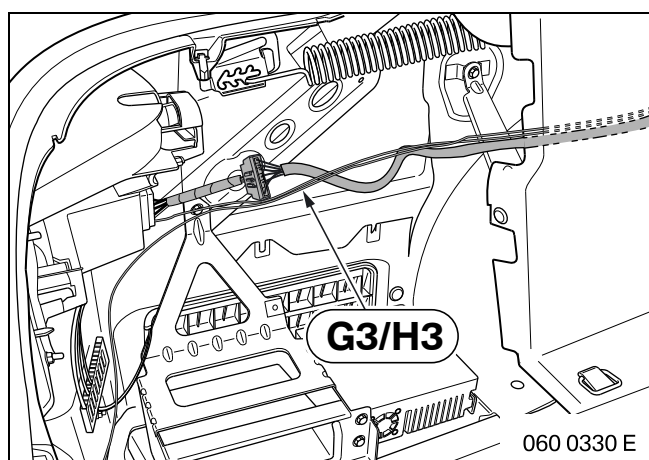


For E60 only.

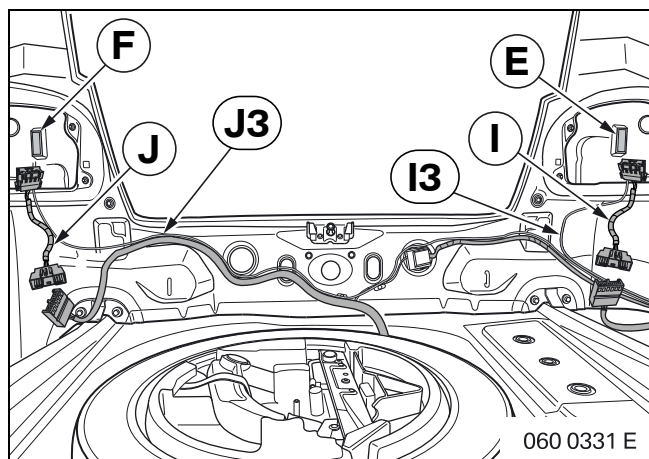
Plug in adapters **G** and **H** between the standard wiring harness and left rear light **C** and right **D**.

Route pick-up **H3**, WS/SW, from adapter **H** along the rear closing panel to the left rear light.

Route pick-up **H3**, WS/SW, and pick-up **G3**, WS/RT, along the standard wiring harness into the car interior.



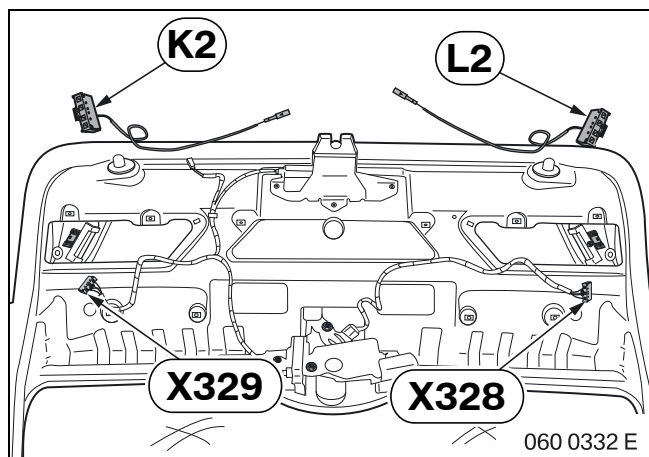
Route pick-up **H3**, WS/SW, and pick-up **G3**, WS/RT, along the standard wiring harness into the car interior.



For E61 only.

Plug in adapters **I** and **J** between the standard wiring harness and left rear light **E** and right **F**.

Route pick-up **J3**, SW/BR, from adapter **J** along the rear closing panel to the left rear light.



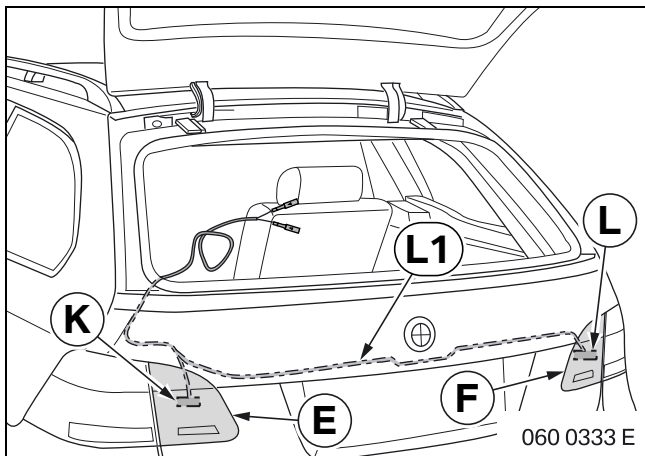
In the tailgate on the left, reconnect the cables from **X329** to socket casing **K2** as follows:

- from **X329** pin 1 to **K2** pin 1
- from **X329** pin 2 to **K2** pin 4
- from **X329** pin 3 to **K2** pin 2

In the tailgate on the right, reconnect the cables from **X328** to socket casing **L2** as follows:

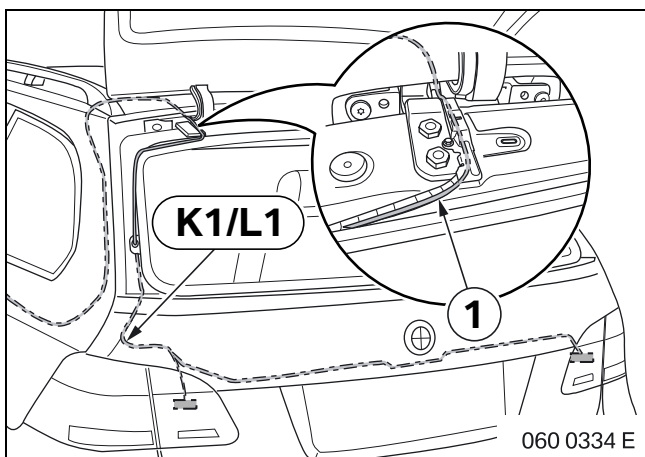
- from **X328** pin 1 to **L2** pin 2
- from **X328** pin 2 to **L2** pin 4
- from **X328** pin 3 to **L2** pin 1

7. To install the LCI adapter cable




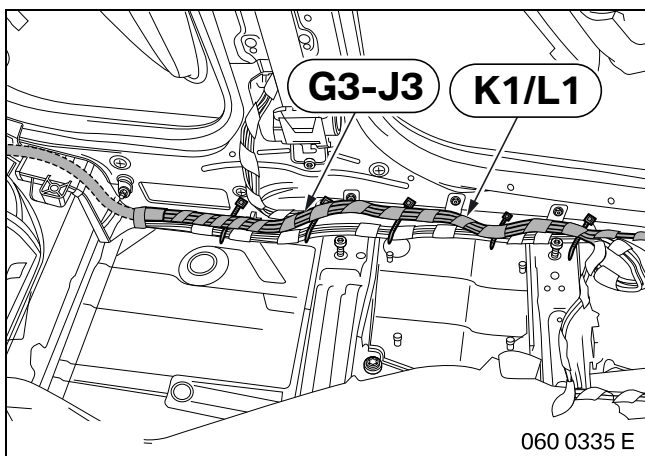
Plug in adapters **K** and **L** between the standard wiring harness and left rear light **E** and right **F**.

Route pick-up **L1**, GR/GE, from adapter **L** along the tailgate to the left rear light.



Route pick-up **K1**, GR/GN, and pick-up **L1**, GR/GE, via tailgate hinges into the car interior, to the left rear light on the outside.

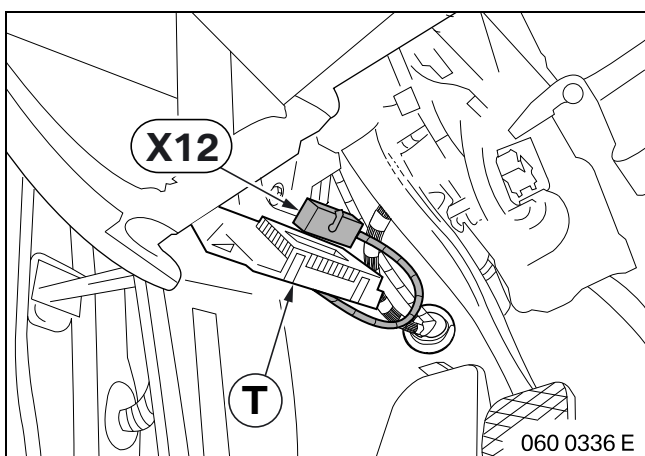
 To avoid damage, insulate the cable (1) with fabric tape in the area of the tailgate hinges. ◀



Route pick-ups **I3**, **J3**, **K1** and **L1** on the floor of the car along the standard wiring harness to the light module.

For E60 only.

Route branches **G3** and **H3** to the light module.



Cars before 09/06 only.

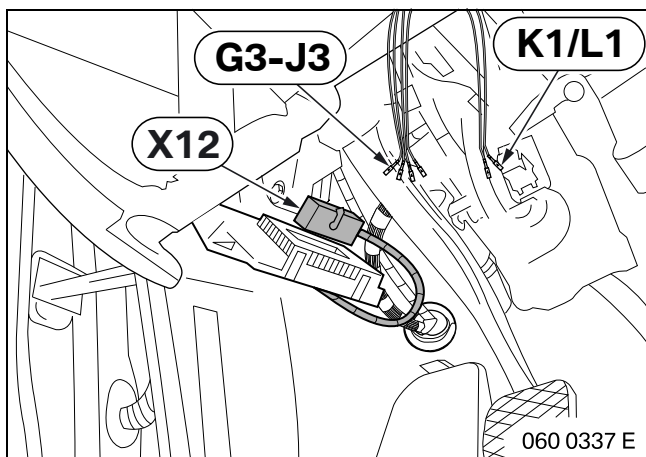
Install light module **T**.

For all cars.

Dismantle plug **X12** from the light module and reconnect the cables as follows:

- pin 25, GR/GN, to pin 63
- pin 40, GR/BL, to pin 11

7. To install the LCI adapter cable



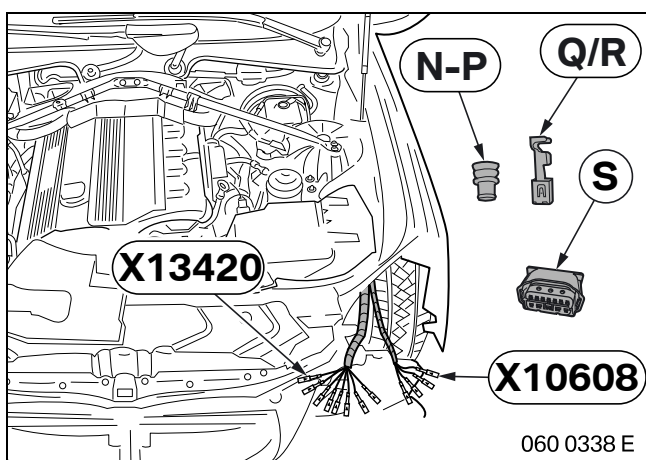
Connect pick-ups to **X12** as follows:

For E60 only.

- **G3**, WS/RT, to pin 62
- **H3**, WS/SW, to pin 5

For E61 only.

- **I3**, SW/RT, to pin 62
- **J3**, SW/BR, to pin 5
- **K1**, GR/GN, to pin 25
- **L1**, GR/GE, to pin 40



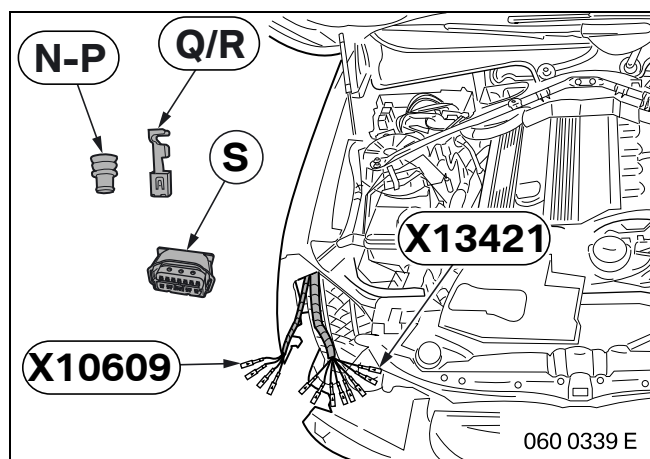
Cars with SA 522 (BiXenon) only.

On the left headlight, disconnect **X13420**, 8-pin, SW, and **X10608**, 4-pin, SW, from the standard wiring harness.

Fit seals **N** to **P** and socket contacts **Q** and **R** onto the cable ends and connect to socket casing **S** as follows:

- GR/GN to pin 1
- BR to pin 2
- GE/GN to pin 3
- BR to pin 4
- BL to pin 5
- WS/GN to pin 6
- GE/SW to pin 7
- GE/RT to pin 8
- GE/BR to pin 9
- BL/RT to pin 10
- BL/BR to pin 11
- BL/GN to pin 12


7. To install the LCI adapter cable



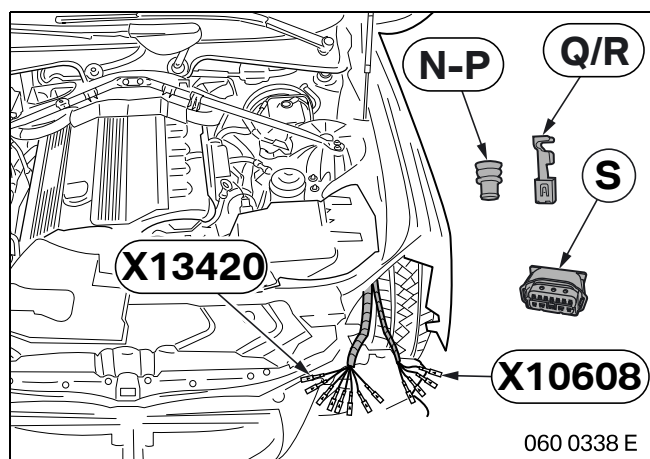
On the right headlight, disconnect **X13421**, 8-pin, SW, and **X10609**, 4-pin, SW, from the standard wiring harness.

Fit seals **N** to **P** and socket contacts **Q** and **R** onto the cable ends and connect to socket casing **S** as follows:

- GR/BL to pin 1
- BR to pin 2
- GE/BL to pin 3
- BR to pin 4
- BL to pin 5
- WS/BL to pin 6
- GE/SW to pin 7
- GE/SW to pin 8
- GE/BR to pin 9
- BL/SW to pin 10
- BL/BR to pin 11
- BL/BR to pin 12

 Risk of mixing up when pinning into socket casing **S**:

- GE/SW from **X13421** to pin 7
- GE/SW from **X10609** to pin 8. ◀



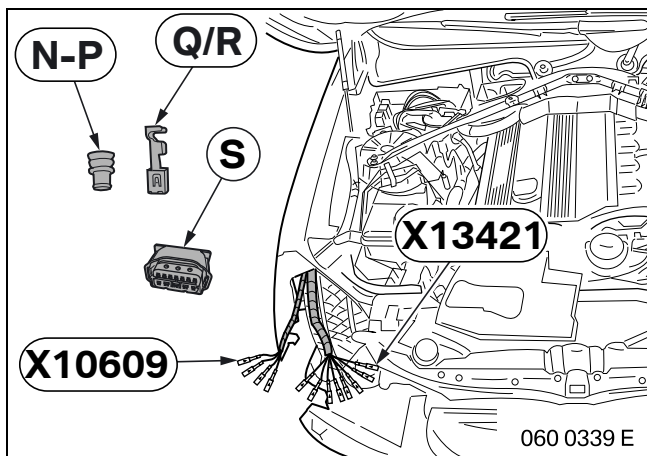
Cars with SA 524 (AHL) only.

On the left headlight, disconnect **X13420**, 8-pin, SW, and **X10608**, 4-pin, SW, from the standard wiring harness.

Fit seals **N** to **P** and socket contacts **Q** and **R** onto the cable ends and connect to socket casing **S** as follows:

- GR/GN to pin 1
- BR to pin 2
- GE/GN to pin 3
- BR to pin 4
- BL to pin 5
- WS/GN to pin 6
- GE/SW to pin 7
- Pin 8 unassigned
- SW/GN to pin 9
- SW/BL in pin 10
- BR to pin 11
- BL/GN to pin 12

7. To install the LCI adapter cable



On the right headlight, disconnect **X13421**, 8-pin, SW, and **X10609**, 4-pin, SW, from the standard wiring harness.

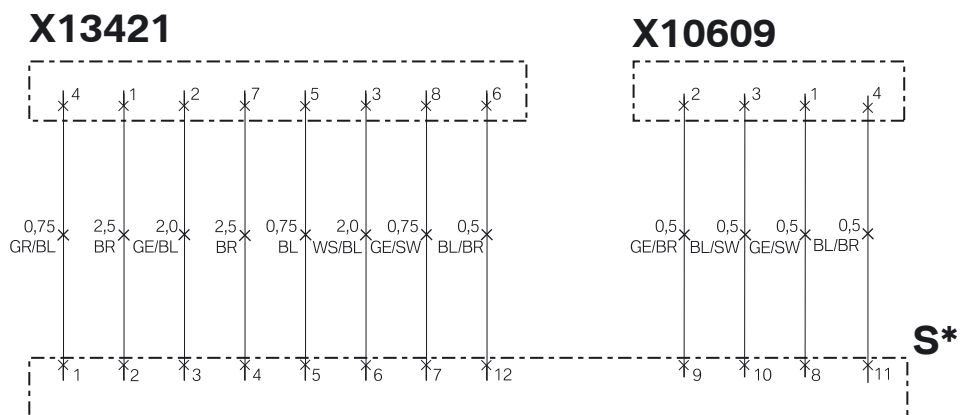
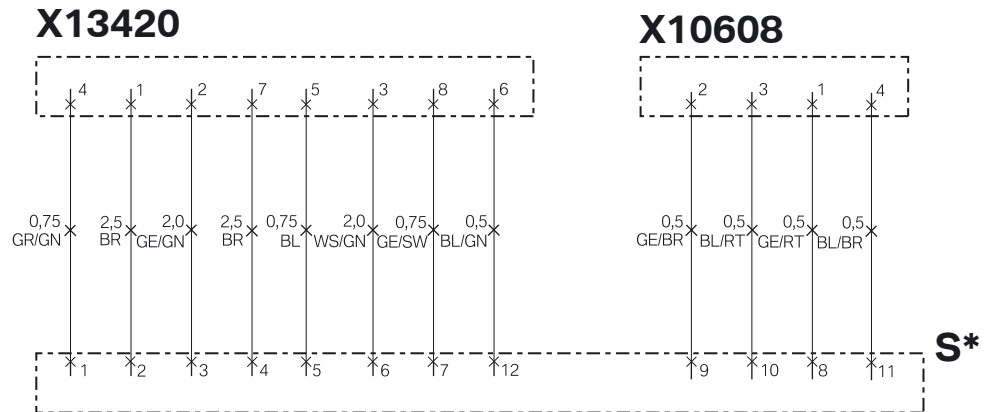
Fit seals **N** to **P** and socket contacts **Q** and **R** onto the cable ends and connect to socket casing **S** as follows:

- GR/BL to pin 1
- BR to pin 2
- GE/BL to pin 3
- BR to pin 4
- BL to pin 5
- WS/BL to pin 6
- GE/SW to pin 7
- Pin 8 unassigned
- WS/GN to pin 9
- WS/BL to pin 10
- BR/GE to pin 11
- BL/BR to pin 12

8. Concluding work and coding

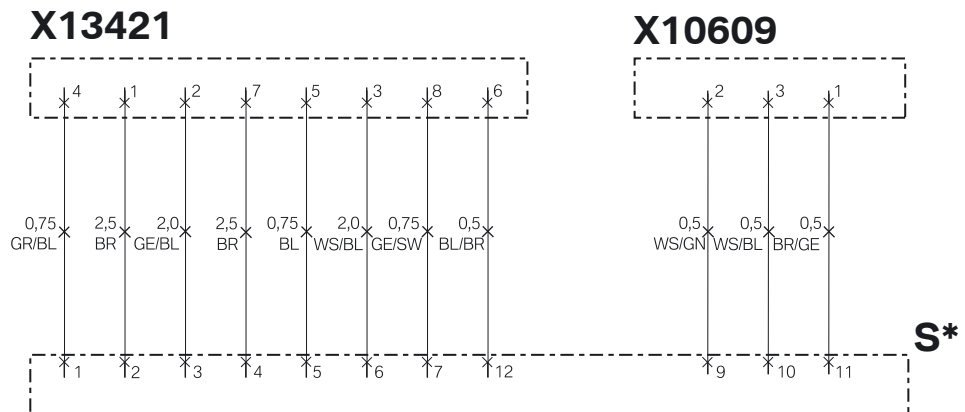
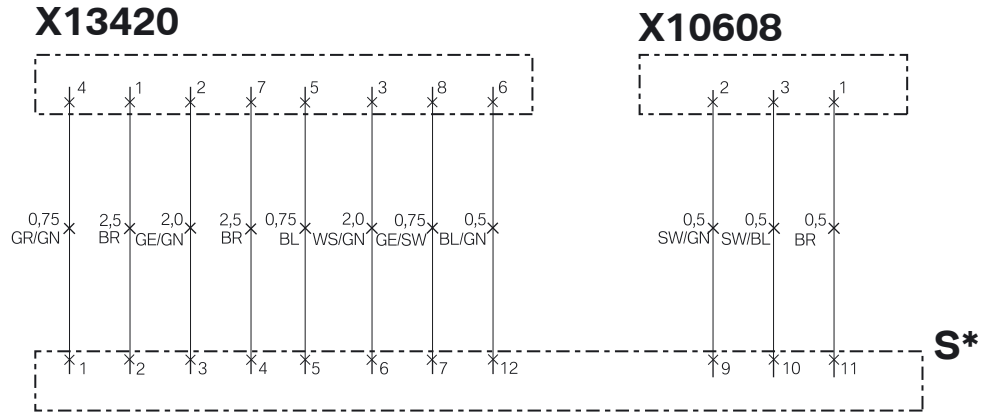
- Connect the battery
- Encode/program the conversion using DISPlus or GT-1 via path **Conversion/CIP**
- Conduct a brief test
- Conduct a function test
- Re-assemble the car
- Perform a basic adjustment of the headlights

9. Circuit diagram BiXenon headlights



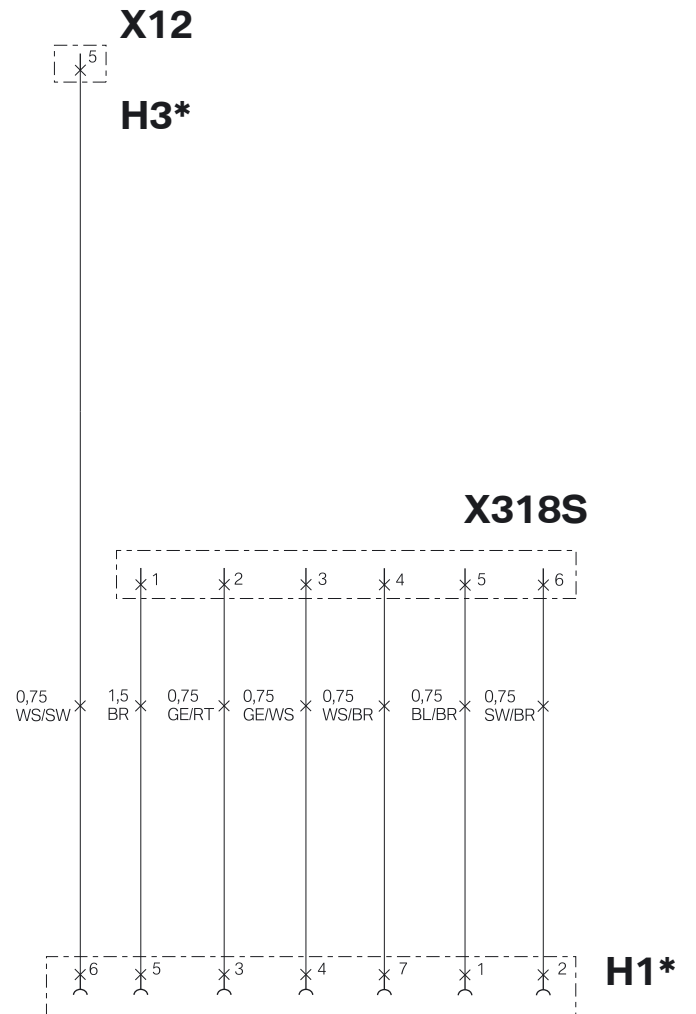
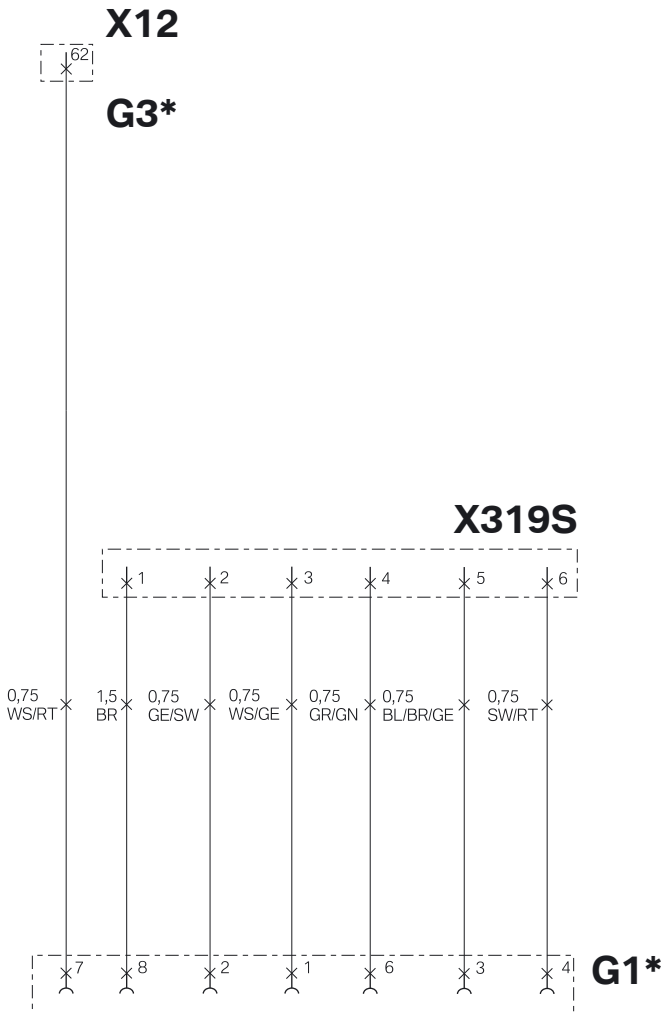
060 0340 E

10.Circuit diagram AHL headlights



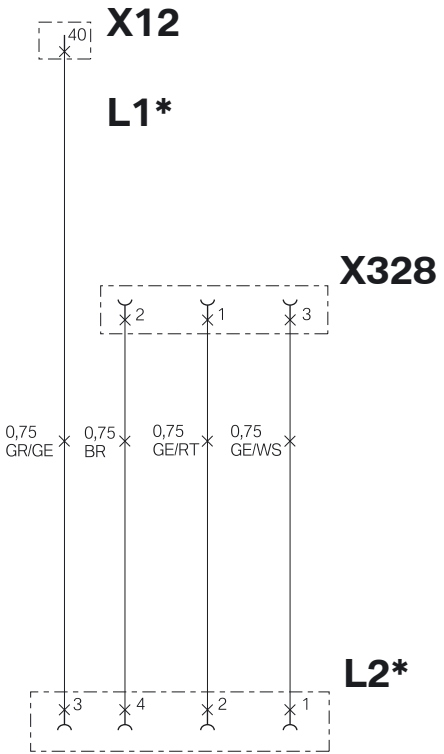
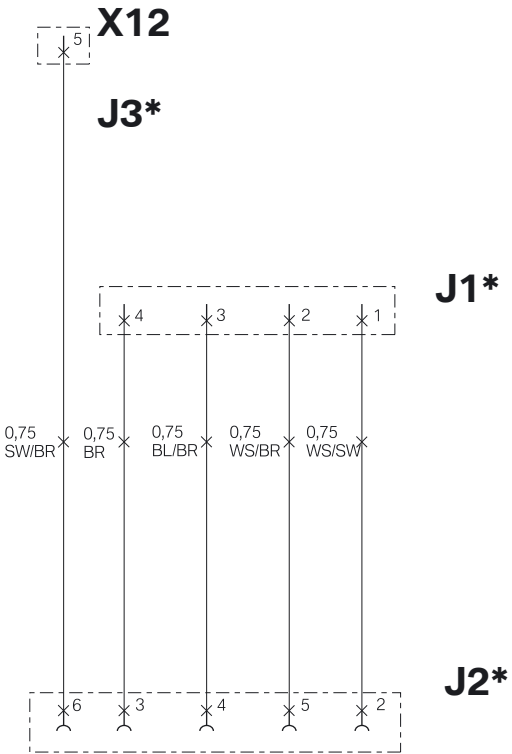
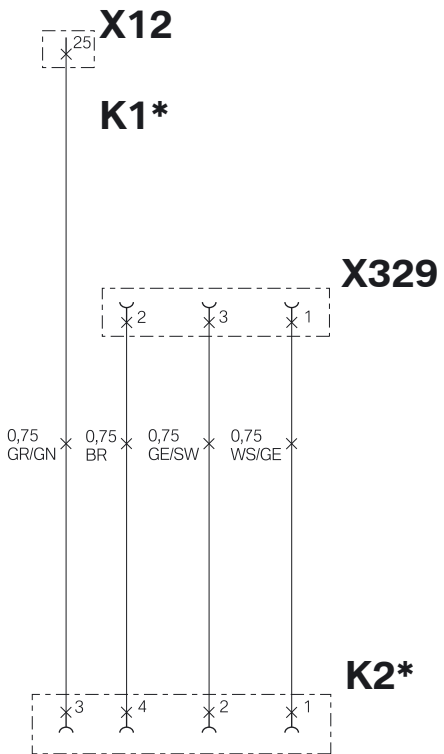
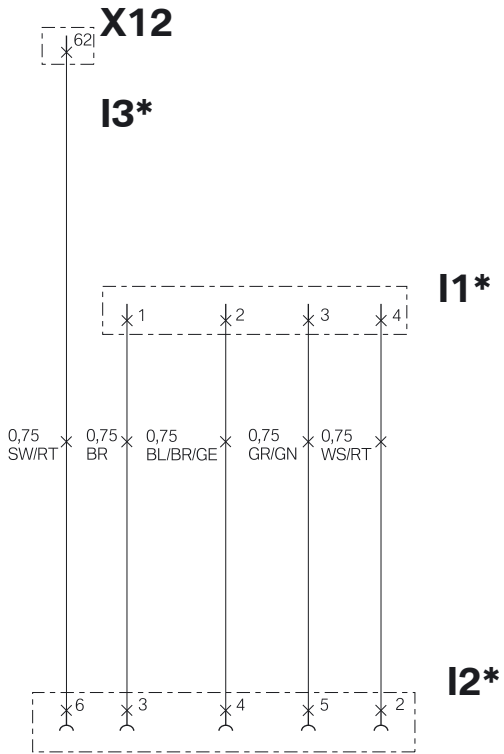
060 0343 E

11.Circuit diagram rear lights E60



060 0342 E

12.Circuit diagram rear lights E61



060 0341 E

13.Legend

G*	Left rear light adapter E60
H*	Right rear light adapter E60
I*	Left rear light adapter E61
J*	Right rear light adapter E61
K*	Left tailgate adapter E61
L*	Right tailgate adapter E61
S*	SW 12-pin socket casing
X12	Light module plug
X318S	SW 6-pin socket casing, on right rear light standard wiring harness
X319S	SW 6-pin socket casing, on left rear light standard wiring harness
X328	SW 3-pin socket casing, on left tailgate standard wiring harness
X329	SW 3-pin socket casing, on right tailgate standard wiring harness
X10608	SW 3-pin socket casing, on left headlight standard wiring harness
X10609	SW 3-pin socket casing, on right headlight standard wiring harness
X13420	SW 8-pin socket casing, on left headlight standard wiring harness
X13421	SW 8-pin socket casing, on right headlight standard wiring harness

All the designations marked with an asterisk (*) apply only to these installation instructions or this circuit diagram.

Cable colours

GE	Yellow
GN	Green
GR	Grey
RT	Red
SW	Black
BL	Blue
WS	White
BR	Brown