

Parts and Accessories.

Installation instructions.



Retrofit kit - Front and rear mud flaps

BMW 5 Series Saloon (E60)

BMW 5 Series Touring (E61)

Retrofit kit No.: 82 16 0 148 711, 82 16 0 148 712, 82 16 0 309 649.

Installation time:

The installation time of approx. 0.5 hours per axle can vary depending on the condition and equipment of the vehicle.

Important information:

These installation instructions are mainly intended for use in the BMW dealership network as well as by authorised BMW Service Centres.

The target group of these installation instructions are technical personnel trained on BMW vehicles with corresponding technical know-how.

All work is to be carried out with the aid of currently valid BMW repair instructions, schematic diagrams, maintenance manuals and working instructions in rational order with the specified tools (special tools) while paying particular attention to valid safety regulations.

The plastic and metal parts on the vehicle adhered to the mud flaps must be at a minimum temperature of 15 °C when fitting the mud flaps.

The adhesive joints of the mud flaps must be allowed to harden for 48 hours before driving the car through a car wash.

In order to avoid unnecessary additional expenditure/costs, if any problems regarding installation, assembly or operation are encountered, after spending a little time on attempting to finding the problem (approx. 0.5 hours), an enquiry, including the vehicle identification number, part number of the installed retrofit kit and a detailed description of the problem, should be sent immediately via the Aftersales Assistance Portal (ASAP) to Technical Support.

Do not archive the printout of these Installation Instructions as daily updates are conducted through ASAP! Refer to ASAP for explanations of the pictographs.

All illustrations show LHD vehicles. Carry out the same procedure analogously on RHD vehicles.
Pictographs:



identifies information that draws attention to danger/hazards.



identifies information that draws attention to specific requirements.

◀ identifies the end of an information or warning text.

Subject to technical modifications.

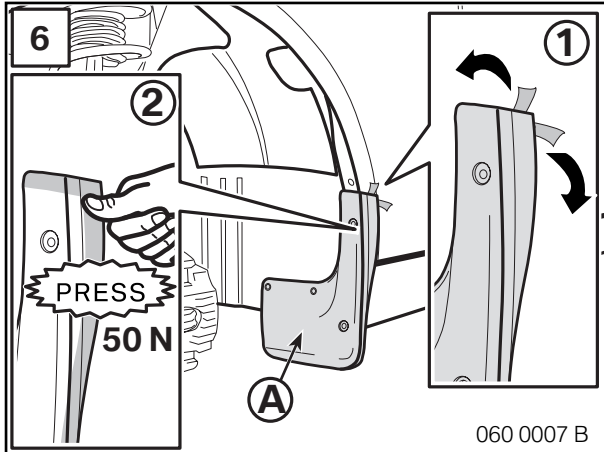
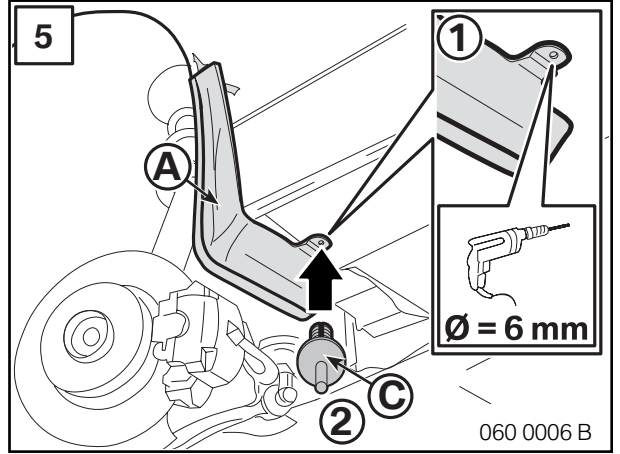
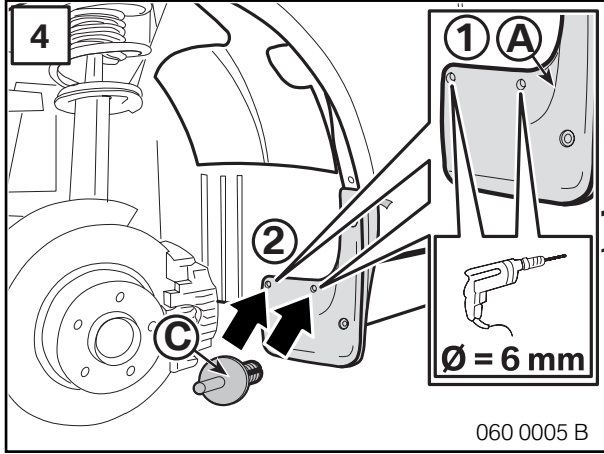
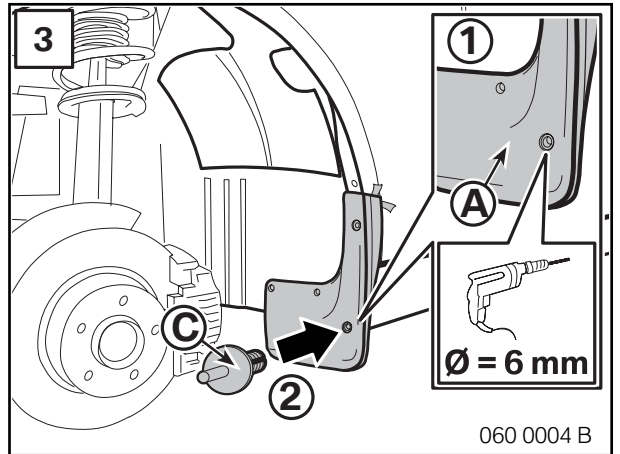
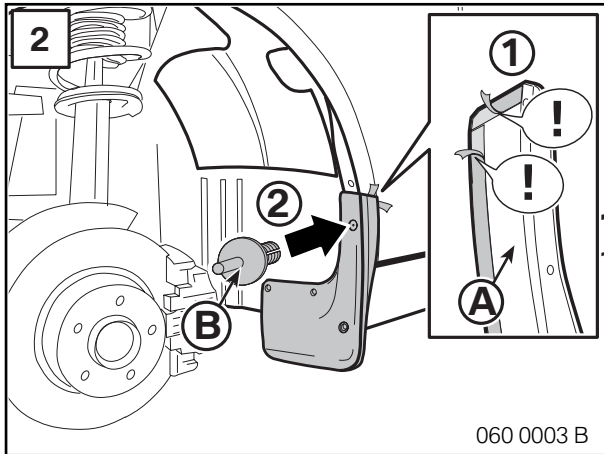
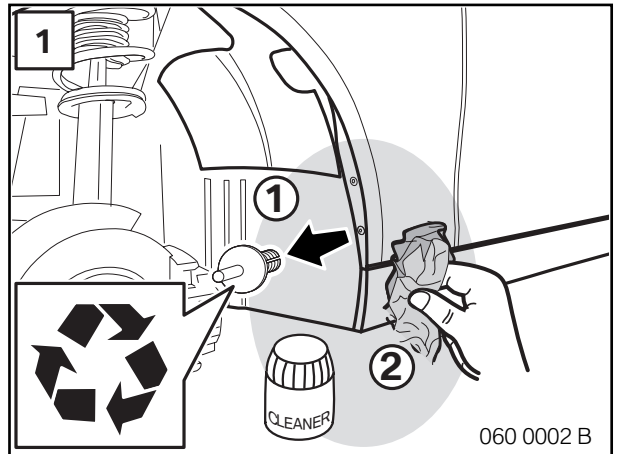
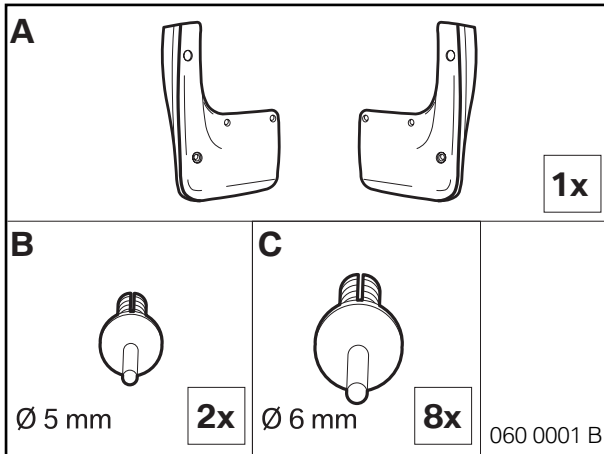
Required special tools

None

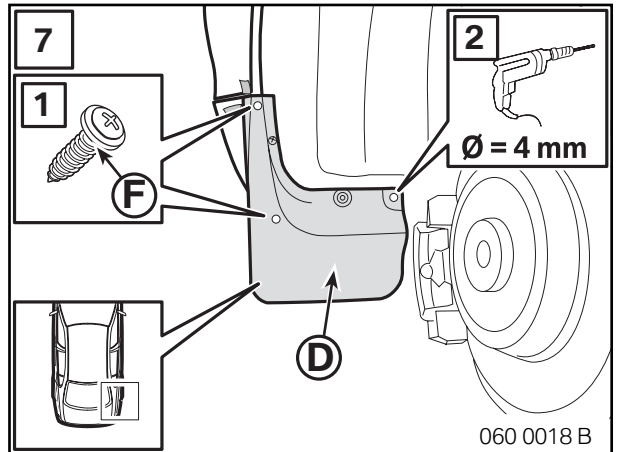
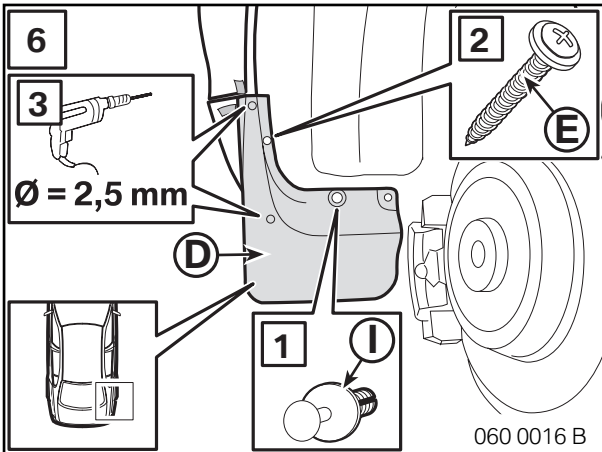
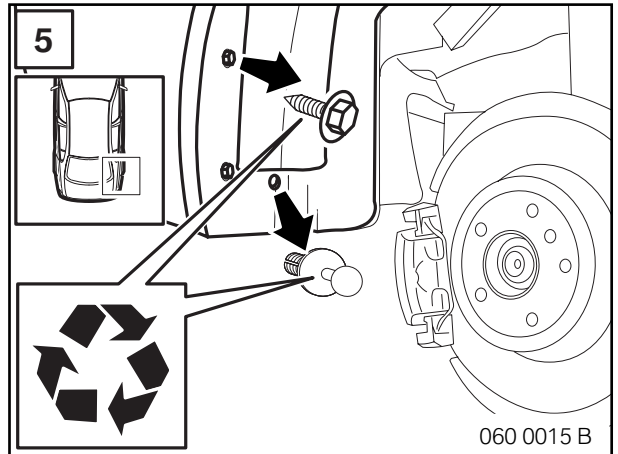
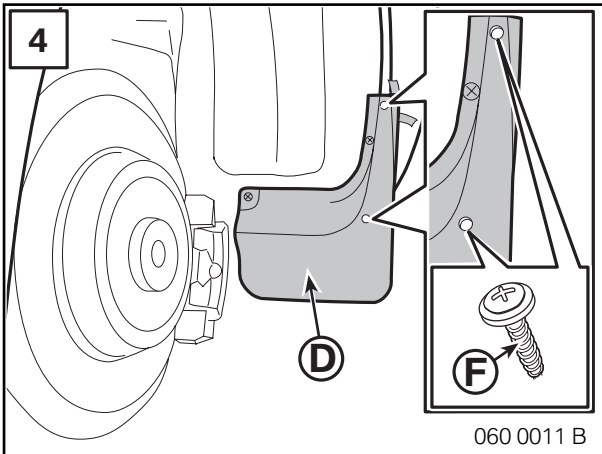
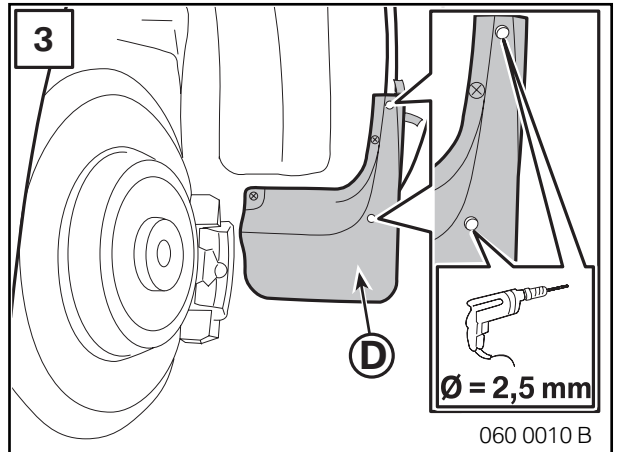
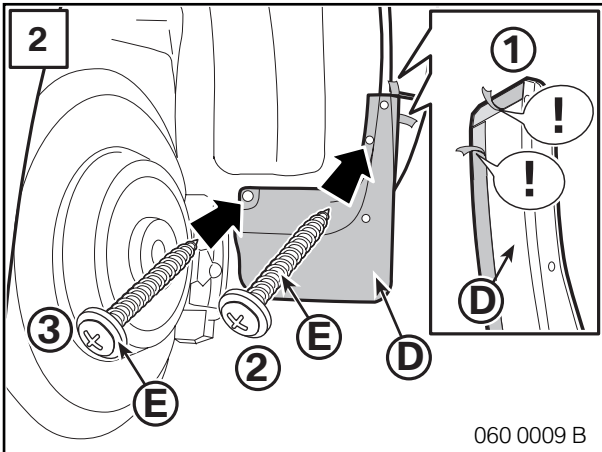
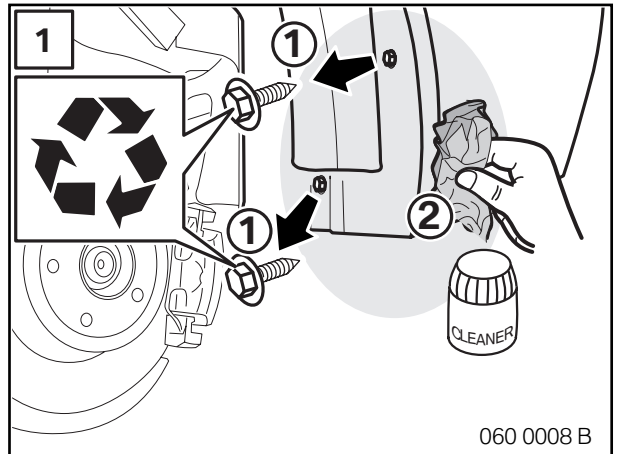
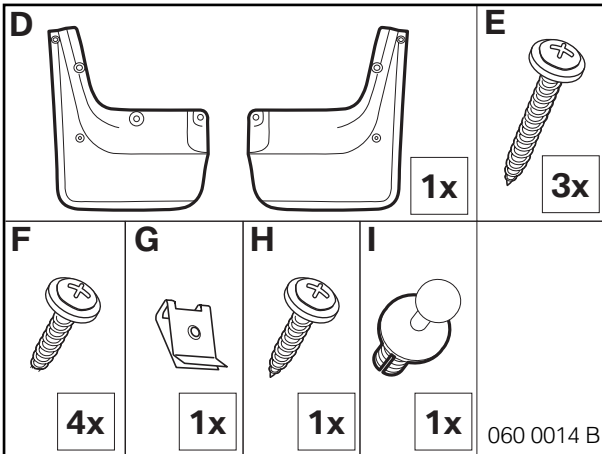
Contents

Section	Page
Important information.....	1
1. Installation of front mud flap (E60/E61)	3
2. Installation of rear mud flap (E60)	4
3. Installation of rear mud flap (E61)	6

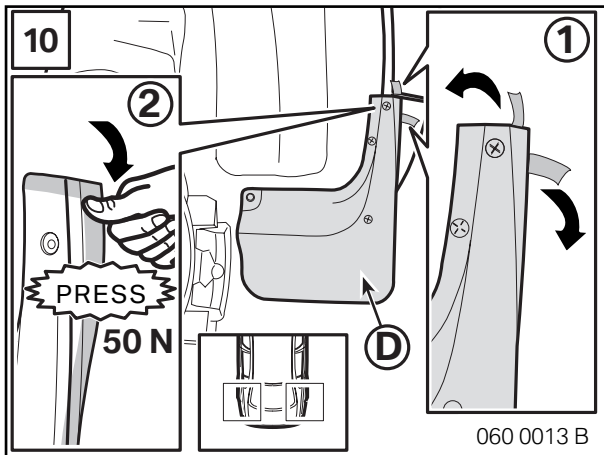
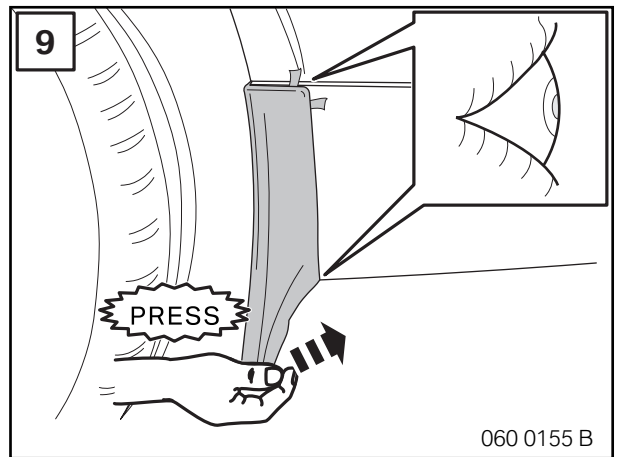
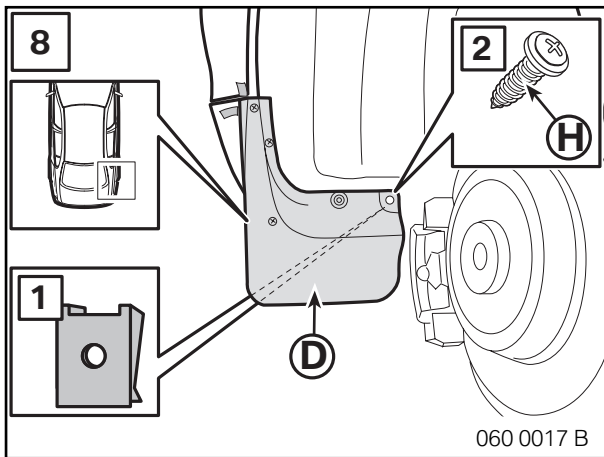
1. Installation of front mud flap (E60/E61)



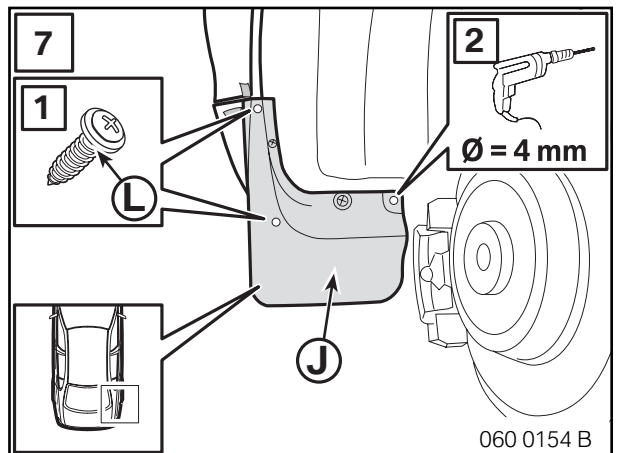
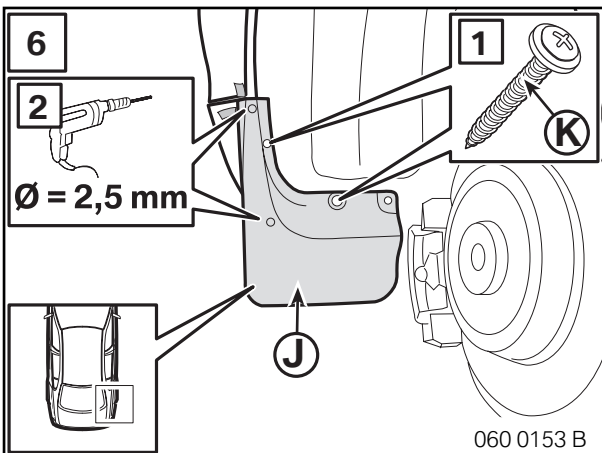
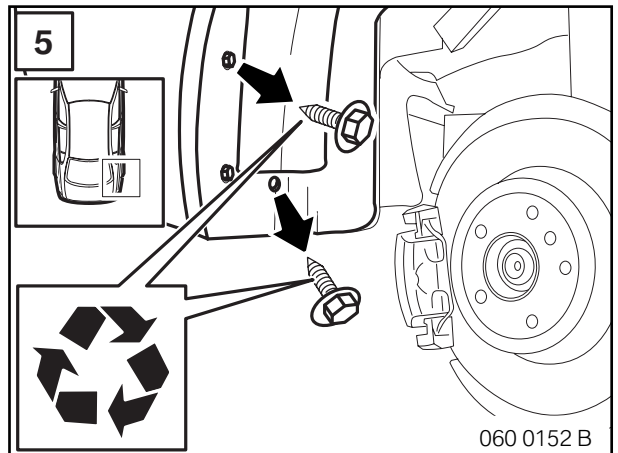
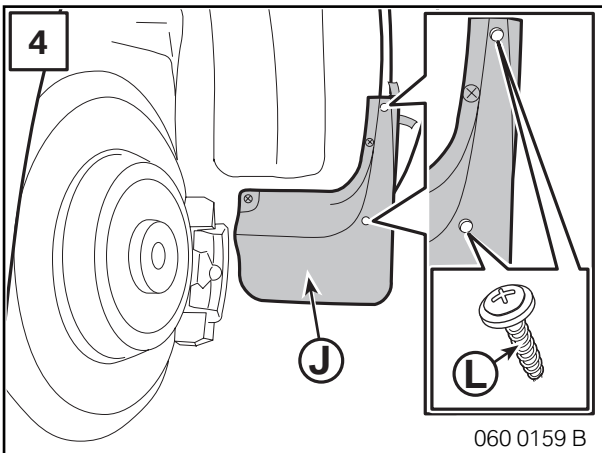
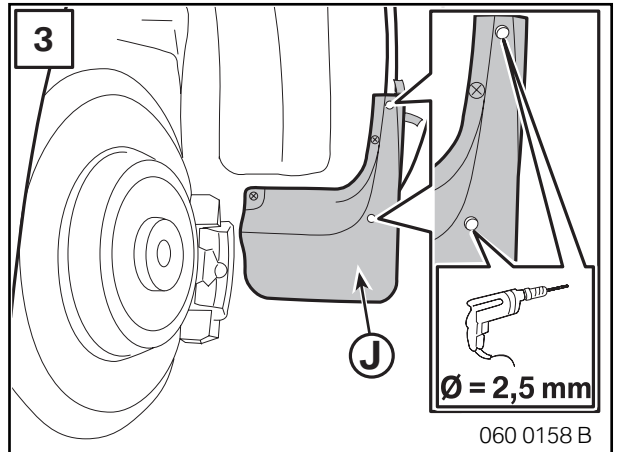
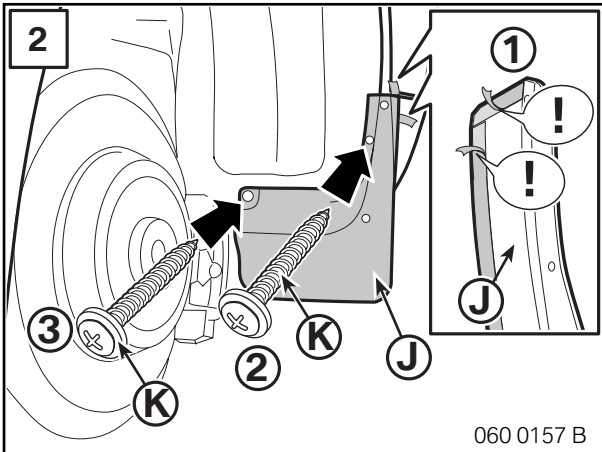
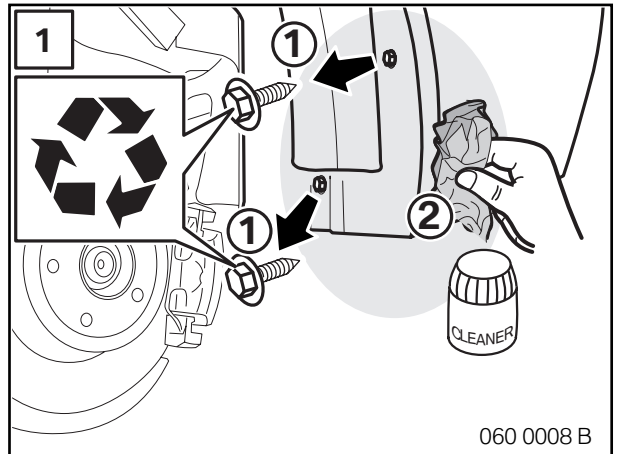
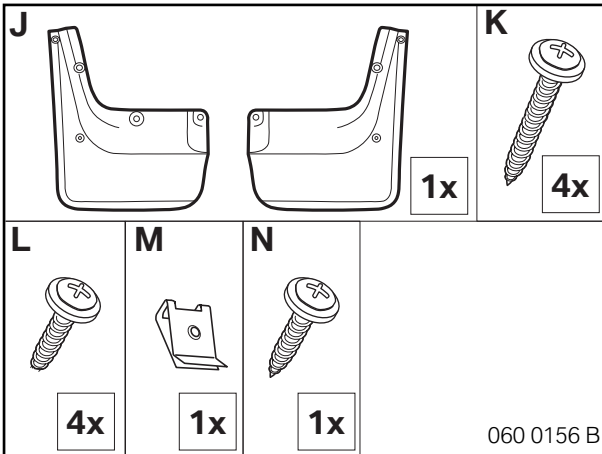
2. Installation of rear mud flap (E60)



2. Installation of rear mud flap (E60)



3. Installation of rear mud flap (E61)



3. Installation of rear mud flap (E61)

