

Parts and Accessories

Installation instructions



Retrofit - Roller sun blind BMW 5 Series Saloon (E60)

Retrofit kit No.: 51 46 0 394 323

Installation time

The installation time of approx. 0.75 hours can vary depending on the condition and equipment of the vehicle.

Important information

These installation instructions are mainly intended for use in the BMW dealership network as well as by authorised BMW Service Centres.

The target group of these installation instructions are technical personnel trained on BMW vehicles with corresponding technical know-how.

All work is to be carried out with the aid of currently valid BMW repair instructions, schematic diagrams, maintenance manuals and working instructions in rational order with the specified tools (special tools) while paying particular attention to valid safety regulations.

In order to avoid unnecessary additional expenditure/costs, if any problems regarding installation, assembly or operation are encountered, after spending a little time on attempting to finding the problem (approx. 0.5 hours), an enquiry, including the vehicle identification number, part number of the installed retrofit kit and a detailed description of the problem, should be sent immediately via the Aftersales Assistance Portal (ASAP) to Technical Support.

Do not archive the printout of these Installation Instructions as daily updates are conducted through ASAP!

Refer to ASAP for explanations of the pictographs.

All illustrations show LHD vehicles. Carry out the same procedure analogously on RHD vehicles.

Pictographs:



identifies information that draws attention to danger/hazards.



identifies information that draws attention to specific requirements.

◀ identifies the end of an information or warning text.

Subject to technical modifications.

Notes on operation

The rear view is restricted when the roller sun blind is extended.

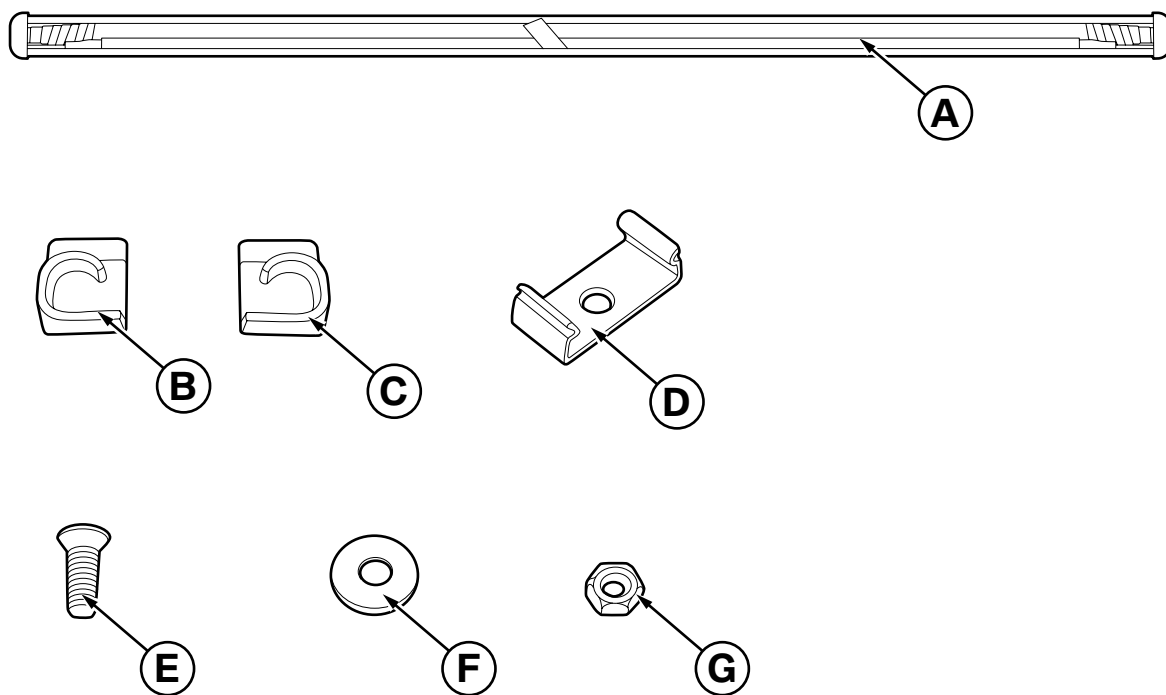
Required special tools

None

Contents

Section	Page
1. Parts overview.....	3
2. Preparatory work	4
3. Installing roller sun blind	5
4. Finishing off and encoding	6

1. Parts overview



060 0127 V

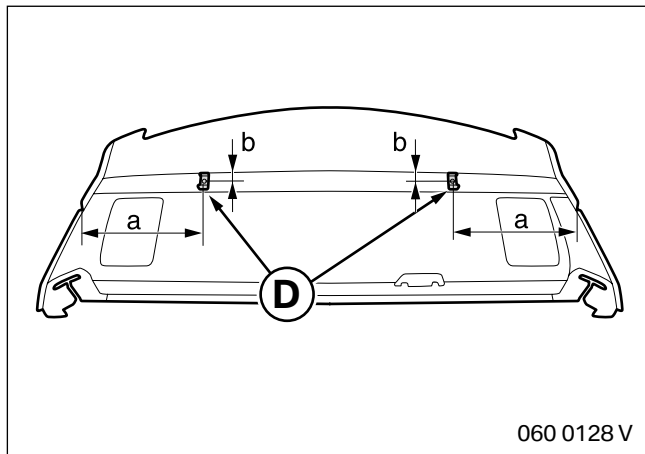
Key

- A Roller sun blind
- B Upper mounting bracket, right
- C Upper mounting bracket, left
- D Mounting clip (2x)
- E M4 screw (2x)
- F Washer (2x)
- G M4 nut (2x)

2. Preparatory work

	TIS No.
Perform quick test	---
Disconnect negative terminal of battery	12 00 ...
Remove the following components	
Roof pillar trim panel, rear left/right	51 43 255
Rear seat backrest (basic)	52 24 010
Side section of rear seat backrest (through-loading system) left/right	52 26 008
Trim panel for rear window shelf	51 46 000

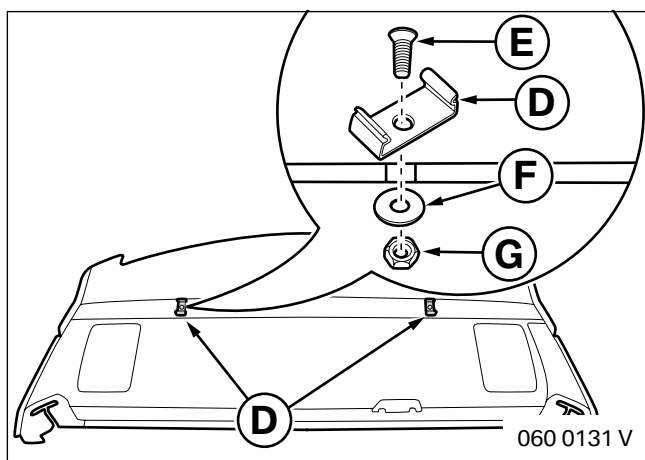
3. Installing roller sun blind



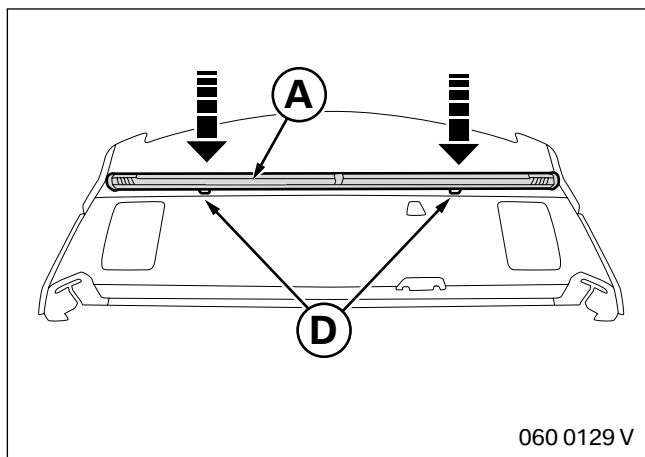
With the aid of the position dimensions **a** and **b**, position the two mounting clips **D** in the 45° section of the rear window shelf.

$$a = 300 \text{ mm}$$
$$b = 25 \text{ mm}$$

Mark the two holes with a pencil and drill holes using a 4.5 mm \varnothing twist drill and power drill.



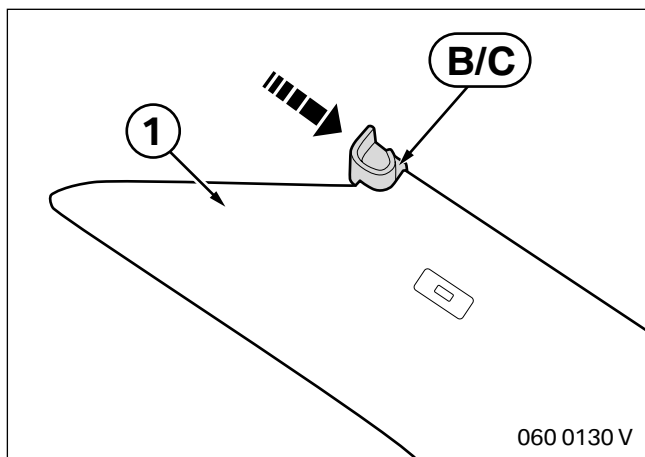
Secure the two mounting clips **D** to the rear window shelf with screws **E**, washers **F** and nuts **G**.



Fit the roller sun blind **A** in the mounting clips **D** such that the pull tag faces upward.

Centre roller sun blind **A**.

Reinstall rear window shelf together with mounted roller sun blind **A** in vehicle.



Fit upper mounting brackets **B** and **C** for roller sun blind **A** on C-pillar trim panel (1) and reinstall in vehicle.

4. Finishing off and encoding

The retrofit system does not require encoding.

- Reconnect vehicle battery
- Perform quick test
- Reassemble vehicle in reverse order of removal.
- Check operation of roller sun blind