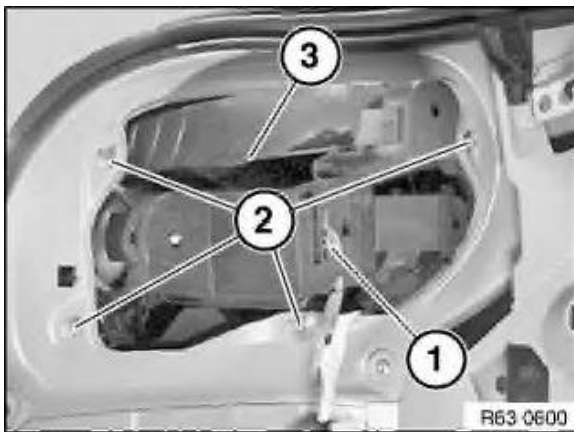
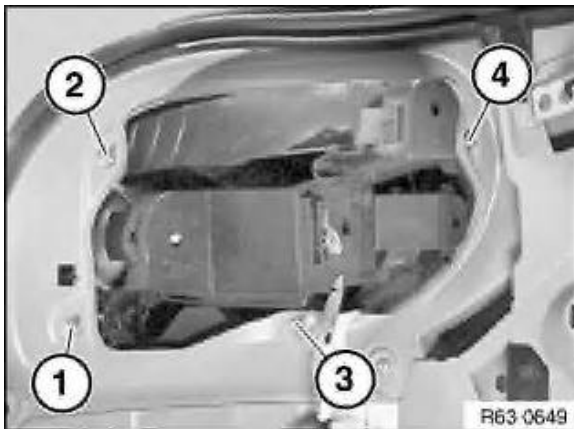


*Necessary preliminary tasks:*

- Remove luggage compartment trim on side panel.



Unfasten plug connection (1) and disconnect.  
Release nuts (2) and remove exterior rear light (3).



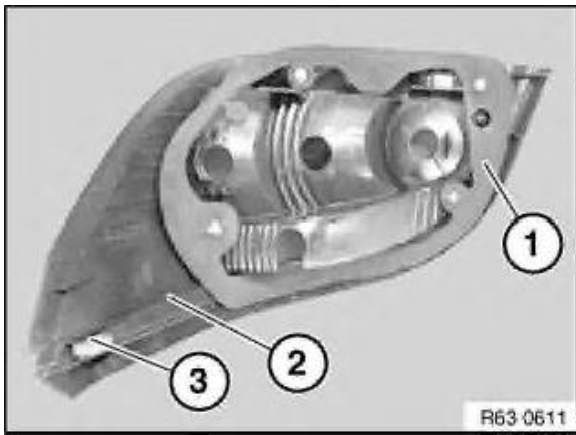
*Installation:*

Observe tightening sequence for 4 retaining nuts.  
Tightening torque 63 21 1AZ .

*Note:*

Gap dimension to body side panel is established by means of retaining nut (4).

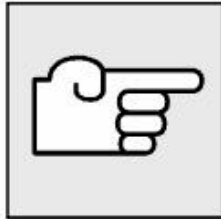
Avoid twisting rear light when screwing down.



*Installation:*

Make sure rear light seal (1) is correctly seated, replace if necessary.

Buffer stop (3) of rear light (2) must be fitted.



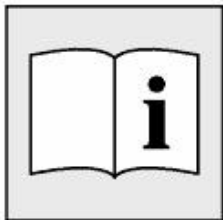
Replacement:

- If necessary, replace socket housing for rear light.

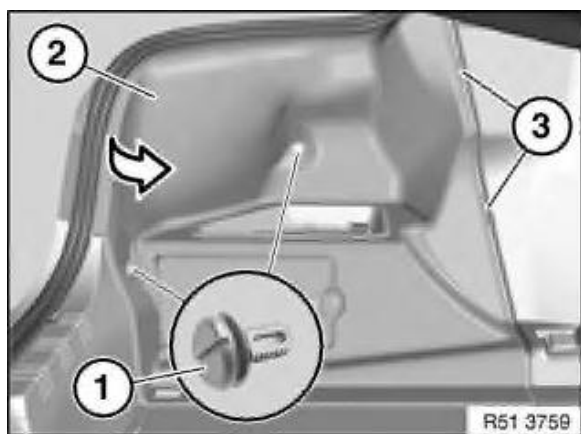
Open rear lid.

Remove luggage compartment floor trim panel (1).



*Necessary preliminary tasks:*

- Remove luggage compartment floor trim panel.

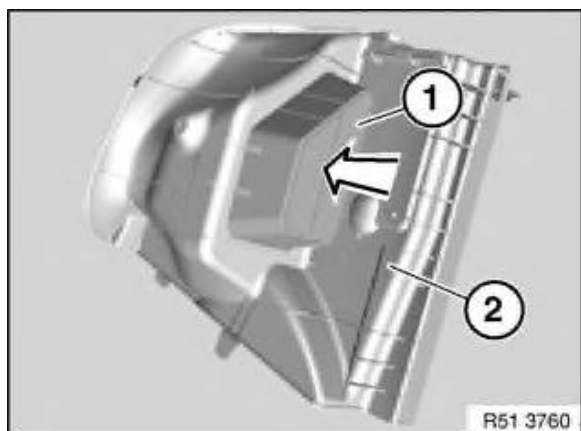


Open rotary clips (1) and remove.

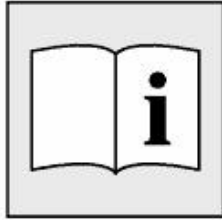
Feed out luggage compartment trim on left side panel (2) in direction of arrow and remove.

*Installation:*

Correctly feed in guides (3) of luggage compartment trim on left side panel (2).

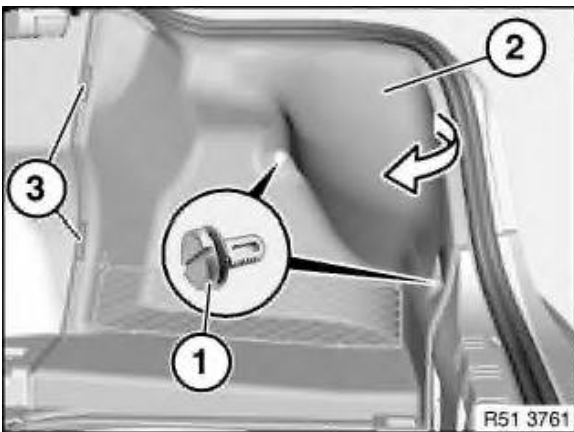
*Replacement:*

If necessary, unclip storage compartment (1) all round and remove in direction of arrow from luggage compartment trim on left side panel (2).



*Necessary preliminary tasks:*

- Remove luggage compartment floor trim panel.



Open rotary clips (1) and remove.

Feed out luggage compartment trim on right side panel (2) in direction of arrow and remove.

*Installation:*

Correctly feed in guides (3) of luggage compartment trim on right side panel (2).

## 63 21 Rear Light Unit

	Type	Thread	Tightening specification	Measure
1AZ Retaining nuts, rear light	E60		Observe tightening sequence	2.5 ± 0.5 Nm
	E63 / E64			2.5 Nm
	E83			4.0 ± 0.5 Nm
2AZ Retaining screws, rear light	E63 / E64			1.5 Nm