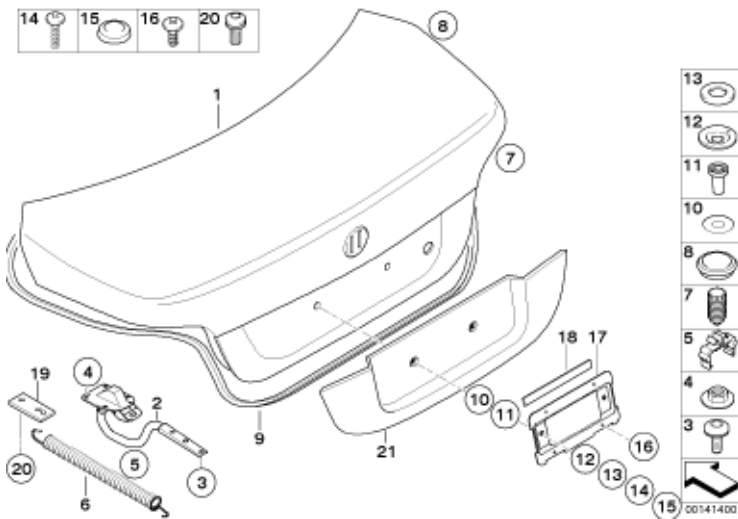


Diagram

41_1474 SINGLE COMPONENTS FOR TRUNK LID 5' E60 SALOON M5 ECE N



Nr	Description	Supplement	Qty	From	Up to	Cat	Tr	St	Part Number	AT	R	TI
01	TRUNK LID		1						41 62 7 122 441			
02	LEFT TRUNK LID HINGE											
02	LEFT TRUNK LID HINGE		1						41 62 7 116 779		1	
02	RIGHT TRUNK LID HINGE		1						41 62 7 116 780		1	
03	TORX BOLT											
03	TORX BOLT	ISA M8X22,5	4		04/04				41 62 7 072 023	A		
03	TORX BOLT	ISA M8X19,5	4						07 14 7 153 762			
04	HEX NUT WITH PLATE	M8	8						88 10 0 301 696			
05	TRUNK LID STOPPER		2						51 24 4 315 699			
06	SPRING-AND-SHOCK-ABSORBER, RIGHT											
06	SPRING-AND-SHOCK-ABSORBER, RIGHT		1		09/03				51 24 4 333 609		1	
	ONLY IN CONJUNCTION WITH											
--	TRUNK LID STOPPER		1		09/03				51 24 4 315 699			
--	CIRCLIP		1		09/03				25 11 1 220 379			I
06	TENSION SPRING, BOOT LID/TAILGATE	850N	1						51 24 8 040 086		1	
06	TENSION SPRING, BOOT LID/TAILGATE, LEFT		1						51 24 4 315 901			
	ONLY IN CONJUNCTION WITH											
--	TRUNK LID STOPPER		1						51 24 4 315 699			
07	STOP BUFFER		2						51 24 8 254 063			
08	BLIND PLUG	D=35MM	2						51 71 8 110 127			
09	TRUNK LID SEALING		1						51 76 7 110 420			
10	FOIL	D=30MM	2						51 71 1 922 189			
11	PLUG-IN NUT		2						51 18 0 141 711			
	FOR VEHICLES WITH											
	NATIONAL VERSION JAPAN	L807A = YES										
12	SPACER RING		2						51 18 8 240 761			
13	FLAT WASHER	A6,4	2						07 11 9 931 044			
14	FILLISTER HEAD SELF-TAPPING SCREW											
14	FILLISTER HEAD SELF-TAPPING SCREW	ST4,8X16	2						51 18 1 821 830			
	FOR VEHICLES WITH											
	NATIONAL VERSION JAPAN	L807A = YES										

	14	FILLISTER HEAD SELF-TAPPING SCREW	ST4,8X16MM	2						51 45 1 961 200			
—	15	COVERING CAP											
	15	COVERING CAP	WEISS	2						51 18 1 813 017			
	15	PROTECTION CAP BLACK		2						51 18 1 823 474			
	15	COVERING CAP	BLAU	2						64 11 1 375 497			
		FOR VEHICLES WITH											
		NATIONAL VERSION JAPAN	L807A = YES										
	17	LICENCE PLATE SUPPORT		1						51 18 8 253 016			
	18	FELT		2						51 18 1 944 116			
	20	TORX-BOLT WITH WASHER	ISA M6X12	2						51 21 1 940 825			
—	21	FINISHER, TRUNK LID, PRIMED											
	21	FINISHER, TRUNK LID, PRIMED	M	1						51 13 8 030 419		1	
		WHEN ORDERING INDICATE COLOUR CODE											
	21	FINISHER, TRUNK LID, PAINTED	CODE - UNI/MET.	1						51 13 0 395 188			