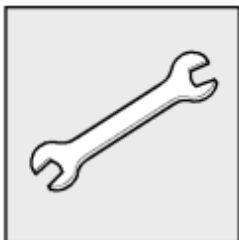


51 16 026 Replacing mirror glass**Special tools required:**

- [00 9 317](#)

**Warning!**

Move mirror glass with hand carefully and slowly.

If mirror glass is damaged:

Wear protective goggles and cut-proof gloves.

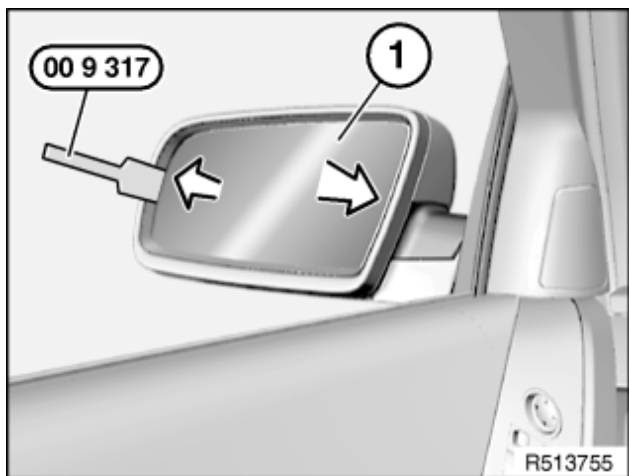
Risk of injury by flaking-off glass splinters.

Important!

Bring door mirror to room temperature to prevent catches from breaking off.

Press mirror glass (1) on side vehicle by hand to full extent.

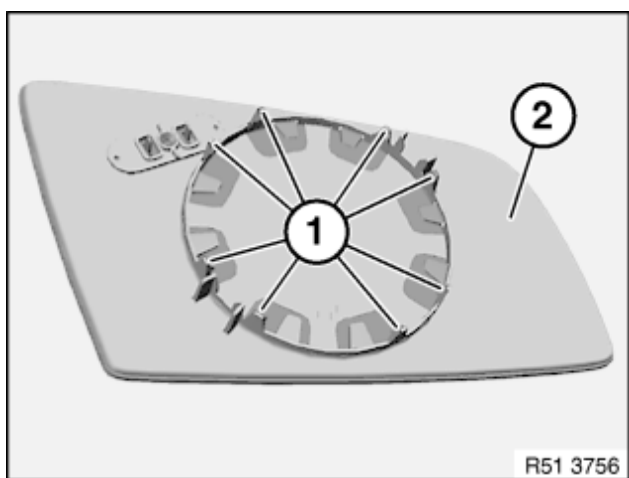
Note:



Secure mirror glass (1) against falling out.

Unclip mirror glass (1) from outer side with special tool [00 9 317](#) all round.

Unlock and disconnect associated plug connections, remove mirror glass (1).



Installation:

Retaining lugs (1) must not be damaged.

Fit mirror glass (2) with retaining lugs (1) flush on mirror adjusting drive and clip into place.

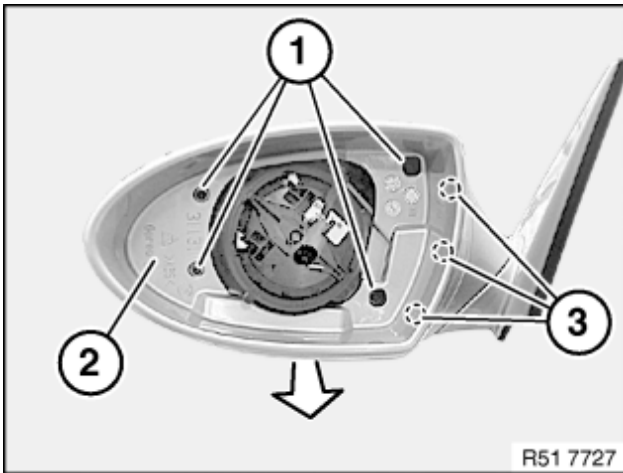
Ensure correct locking.

Make sure mirror adjusting drive functions correctly.

51 16 045 Removing and installing/replacing retaining ring on left or right door mirror (M5/M6)

Necessary preliminary tasks:

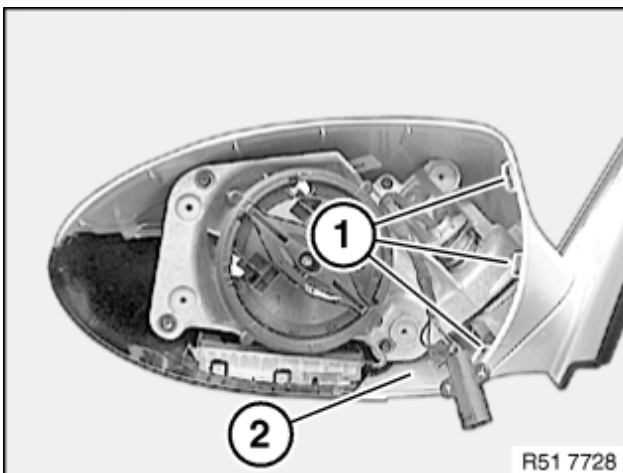
- Remove [mirror glass](#)



Release screws (1).

Release retaining ring (2) at catches (3) and remove towards rear.

Tightening torque [51 16 14AZ](#).



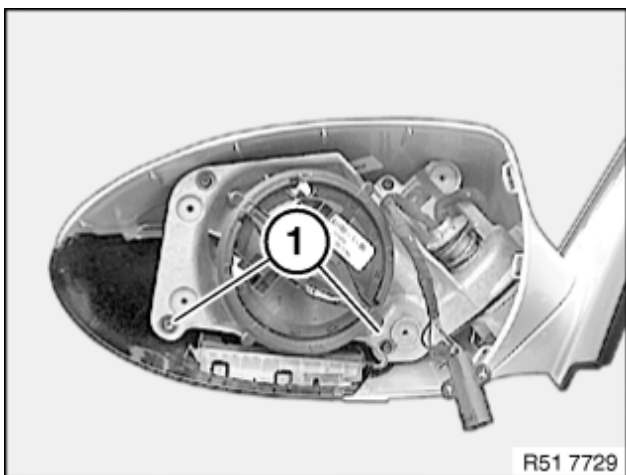
Installation:

Catches (1) on door mirror (2) must not be damaged.

51 16 041 Removing and installing/replacing cover cap on left or right door mirror

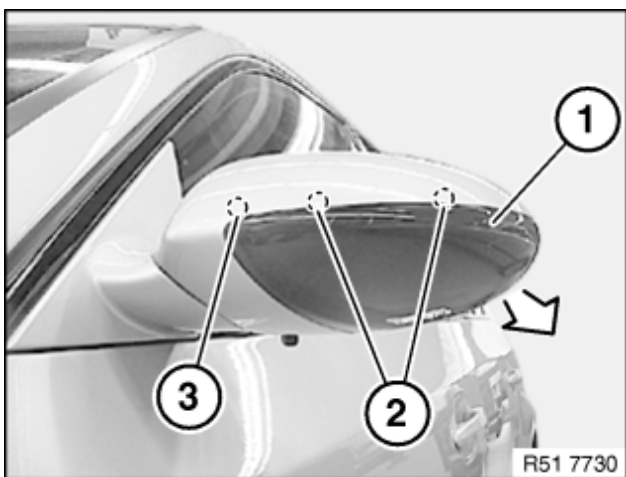
Necessary preliminary tasks:

- Remove [retaining ring on door mirror](#)



Release screws (1).

Tightening torque [51 16 9AZ](#).



Release cover cap (1) from catches (2) and feed out in direction of arrow.

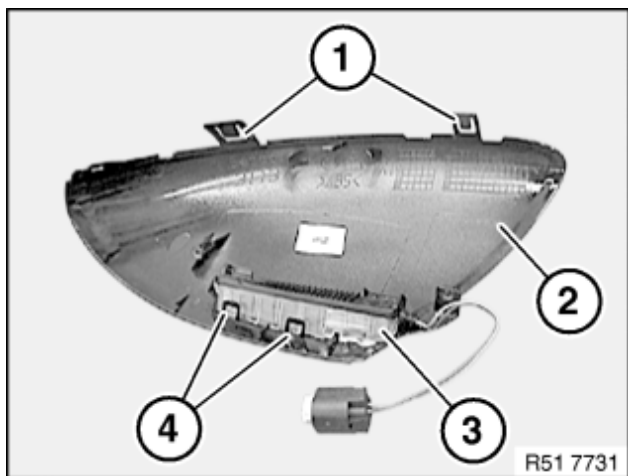
Disconnect connector (3).

Installation:

Make sure wiring of door mirror light is correctly routed.

Installation:

Catches (1) on cover cap (2) must not be damaged.

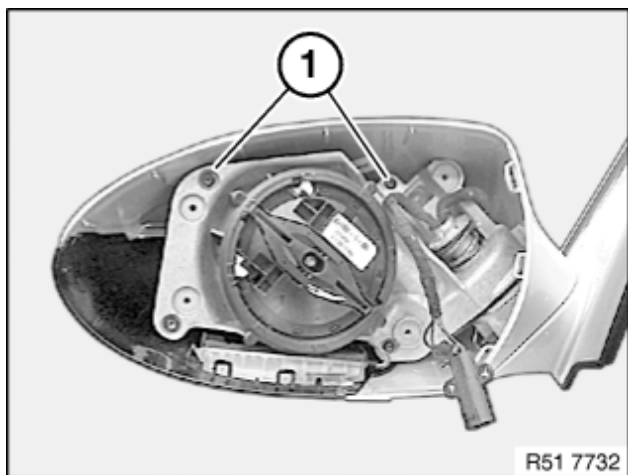


- 3 Light
- 4 Catches

51 16 040 Removing and installing/replacing housing on left or right door mirror (M5/M6)

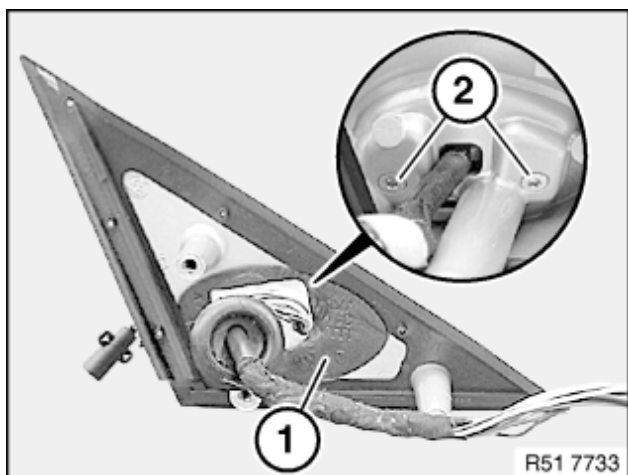
Necessary preliminary tasks:

- Remove [rear-view mirror](#) on front door
- Remove [cover cap from door mirror](#)



Release screws (1).

Tightening torque [51 16 9AZ](#).

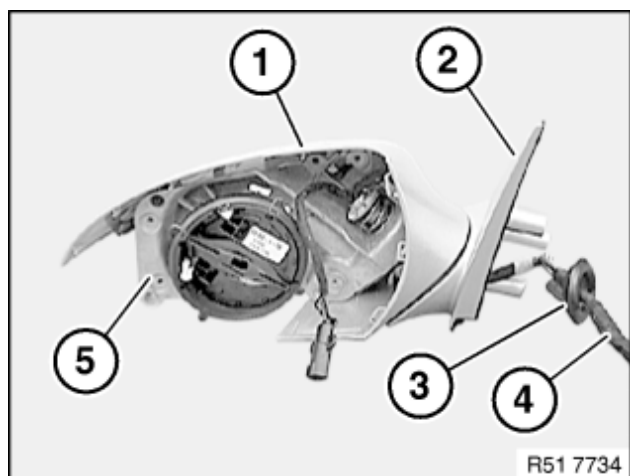


Remove foam material (1) and release screws (2) underneath.

Tightening torque [51 16 15AZ](#).

Important!

Make a note of coding of plugs on cable (4).



Disconnect cable (4) from plug.
Detach grommet (3) from cable (4).
Detach housing (1) from retaining plate (2).
Feed cable (4) through retaining plate (2).
Remove housing (1) from carrier (5).