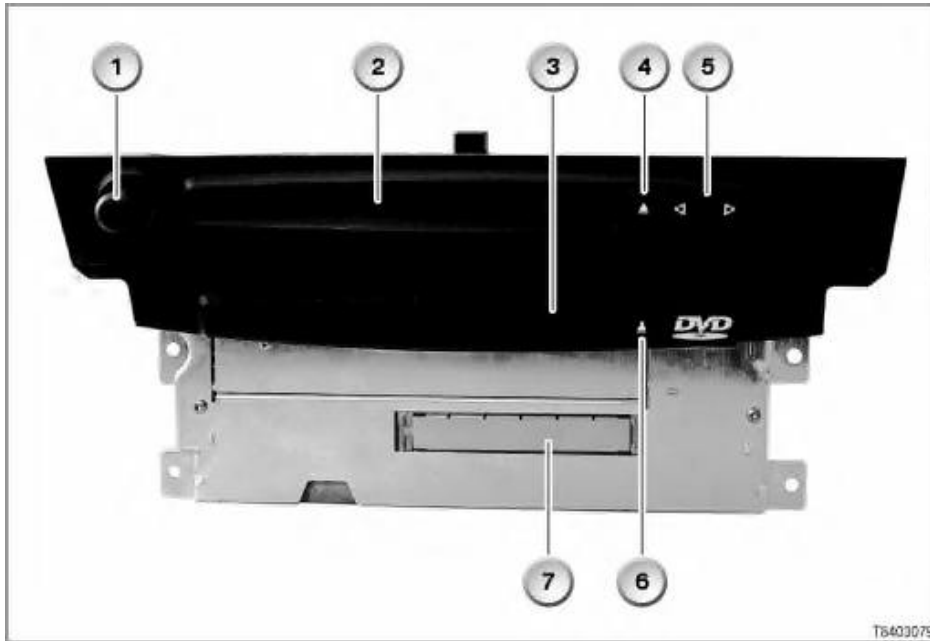


E60 - Housing

Installation location

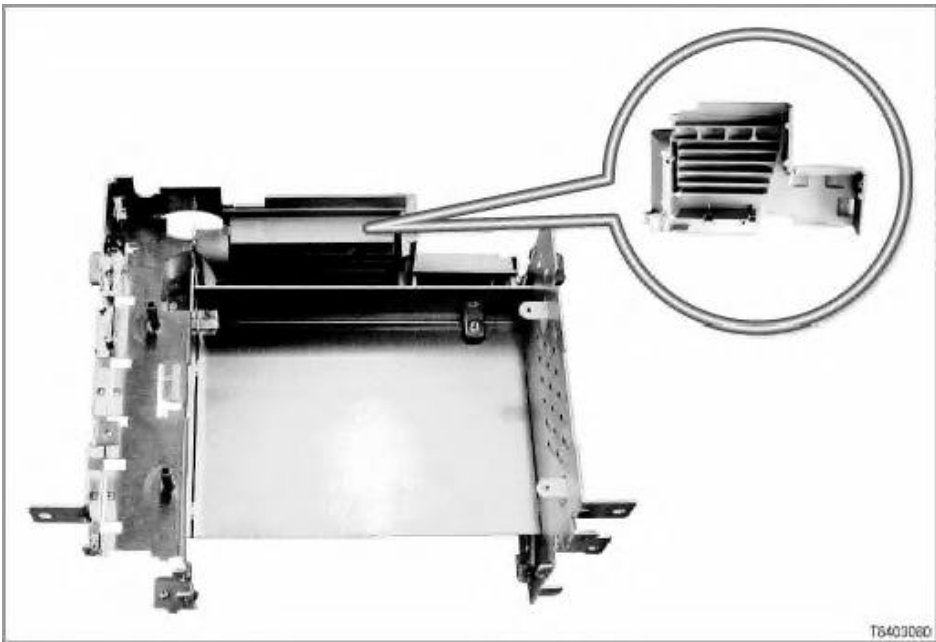
The Car Communication Computer is located on the centre console under the IHKA controls. On the CCC, only the two drives, the rotary push button, the search rocker switch and the two eject buttons are visible.

Construction

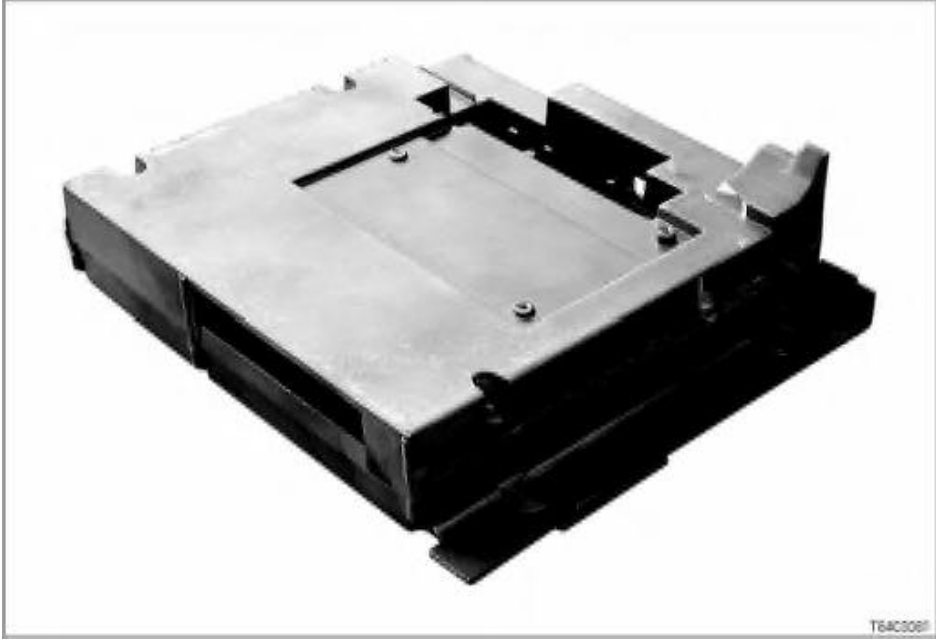


Key	Explanation	Key	Explanation
1	Rotary push button for switching on and off and for adjusting the volume.	2	Slot for audio CD or for CD-ROM (MD on Japanese version)
3	Slot for DVDs	4	Eject button for audio CD or for CD-ROM/MD
5	Search rocker switch	6	Eject button for DVD
7	Cover panel for future memory enlargement		

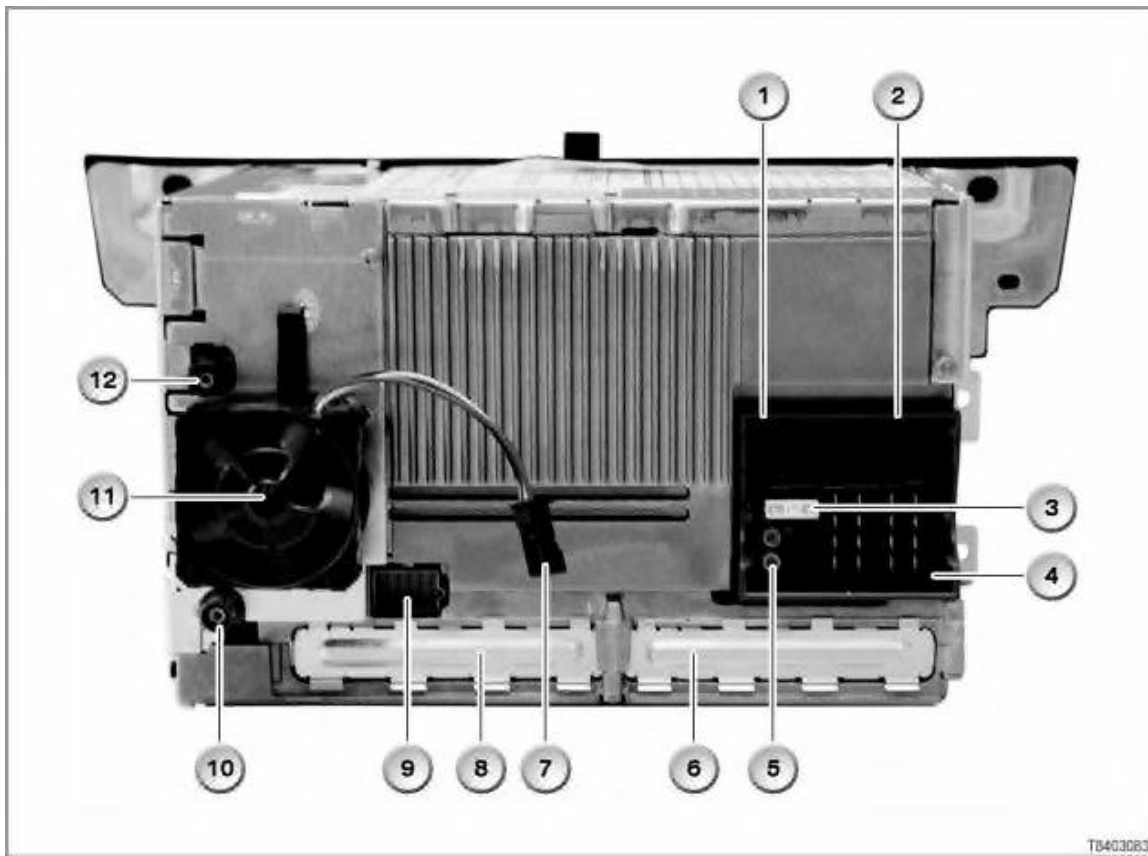
The Car Communication Computer consists of a pressure-cast aluminium housing. The housing is a combination of pressure-cast aluminium and aluminum plate sheet. In the pressure-cast aluminium sections, there are air ducts for cooling the components.



The motherboard is also located in an aluminium housing. The housing is made up of 2 sections consisting of the base plate and the cover.



Plug connector details



Key	Explanation	Key	Explanation
1	12-pin connector, left	2	12-pin connector, right
3	16-pin connector, black	4	Fuse
5	MOST bus connector	6	Cover panel for PMC 1 extension card
7	Connection for electric fan	8	Cover panel for PMC 2 extension card
9	LVDS (Low Voltage Differential Signalling) connector	10	Aerial connector for the Global Positioning System (GPS)
11	Electric fan	12	Aerial connector for the radio

Pin assignment X13815, MOST bus connector

Pin	Type	Description
1	E	MOST bus
2	A	MOST bus
	E = Input A = Output For current specifications regarding pin assignment, please refer to BMW diagnosis system	

Pin assignment X13812, 16-pin, black

Pin	Type	Description
1	A	Rear right loudspeaker, positive

2	A	Front right loudspeaker, positive
3	A	Front left loudspeaker, positive
4	A	Rear left loudspeaker, positive
5	M	Rear right loudspeaker, earth
6	M	Front right loudspeaker, earth
7	M	Front left loudspeaker, earth
8	M	Rear left loudspeaker, earth
9	E/A	K-CAN bus connection
10	E	Radio mute
11	E/A	K-CAN bus connection
12	M	Terminal 31
13	A	Switch signal for TOP-HiFi amplifier and aerial diversity ON
14		Terminal 58g, instrument lighting
15	V	Terminal 30, power supply
16	---	
		E = Input A = Output E/A = Input and output M = Earth V = Supply For current specifications regarding pin assignment, please refer to BMW diagnosis system

Pin assignment X13813, 12-pin, top left

Pin	Type	Description
1	---	
2	E	Additional audio input, left, positive
3	A	Central bass, left, positive
4	A	Central bass, right, positive
5	---	
6	E	Voice signal, positive
7	E	Additional audio input, right, positive
8	M	Additional audio input, earth
9	M	Central bass, right, earth
10	M	Central bass, left, earth
11	M	Video cable, earth
12	M	Voice signal, earth

E = Input

A = Output
M = Earth
For current specifications regarding pin assignment, please refer to BMW diagnosis system

Pin assignment X13814, 12-pin, top right

Pin	Type	Description
1	A/V	Signal and power supply, microphone positive
2	M	RGB earth signal
3	E	RGB red signal
4	E	RGB green signal
5	E	RGB blue signal
6	M	Power supply, microphone earth
7	---	
8	---	
9	---	
10	---	
11	---	
12	E	Speed signal for acoustic warning (depending on national-market version)
E = Input A = Output M = Earth For current specifications regarding pin assignment, please refer to BMW diagnosis system		

Pin assignment X13820, 10-pin

Pin	Type	Description
1	A	RGB blue signal, positive
2	M	RGB blue signal, earth
3	---	
4	A	RGB green signal, including synchronous pulse, positive
5	M	RGB green signal, including synchronous pulse, earth
6	A	Clock pulse, positive
7	M	Clock pulse, earth
8	---	
9	A	RGB red signal, positive
10	M	RGB red signal, earth
A = Output M = Earth For current specifications regarding pin assignment, please refer to BMW diagnosis system		