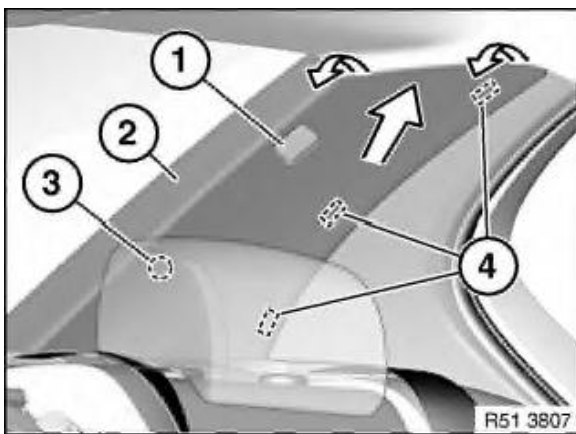


**Warning!**

Follow safety instructions for working on cars with airbag systems.

**Important!**

Do not use any sharp-edged tools to remove trim (risk of damage to head airbag).

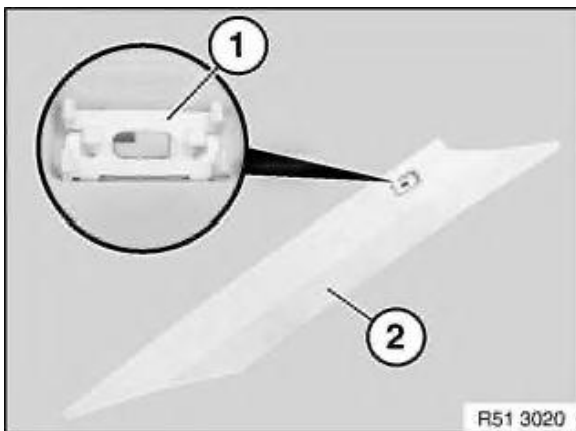


Lever out airbag emblem (1) and release screw underneath.

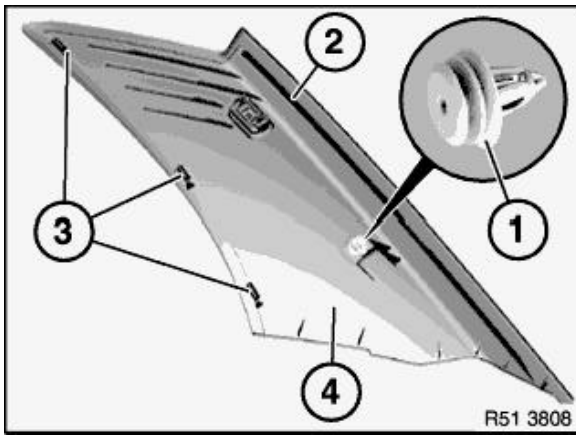
*Installation:*

Tightening torque 51 43 1AZ .

Unclip clip (3) and clips (4) of trim (2) and pull out trim (2) inwards and upwards.

*Installation:*

Retainer (1) on trim (2) must not be damaged or missing.



*Installation:*

Following parts of trim (4) must not be damaged or missing:

- 1 Clip
- 2 Guide
- 3 Clips