



Parts and Accessories Installation Instructions

Accessory rear spoiler retrofit kit BMW 5 Series (E 60)

Retrofit kit part number: 54 41 148 785

Installation time:

The installation time is 0.5 hours, but this may vary depending on the condition of the car and the equipment in it.

Important information:

- These installation instructions are primarily designed for use within the BMW dealership organisation and by authorised BMW service companies.
In any event the target group for these installation instructions is specialist personnel trained on BMW cars with the appropriate specialist knowledge.
- The accessory rear spoiler should be installed by two people.
- All work must be completed using the latest repair manuals, circuit diagrams, servicing manuals and work instructions in a rational order using the prescribed tools (special tools) and observing current health and safety regulations.
- Item numbers refer only to the overview drawing and to the texts next to the appropriate figure.
- Subject to technical modifications.



The boot lid must have a temperature of at least **18°C** for gluing the accessory rear spoiler. ◀



All the glued areas on the boot lid and the accessory rear spoiler are to be cleaned with benzene or the cleaner supplied in the Betalink adhesive pack. ◀



The car may be driven after approx. **6 hours** and may be taken through a car wash after **48 hours**. ◀

Painting instructions

- The accessory rear spoiler is supplied ready primed and must undergo the appropriate pre-treatment. Follow the BMW painting instructions for all painting work.

Procedure:

- The accessory rear spoiler is made of PUR. BMW acrylic paint +10 % softface additive. Maximum temperature for stoving 90°C. Cover the complete contact area for the painting work so that the adhesion of the bond is not adversely affected.



- See the EBA CD or ASAP (After Sales Assistance Portal) for explanations of the pictograms.
- Do not archive the hard copy of these installation instructions since daily updates are made by ASAP.

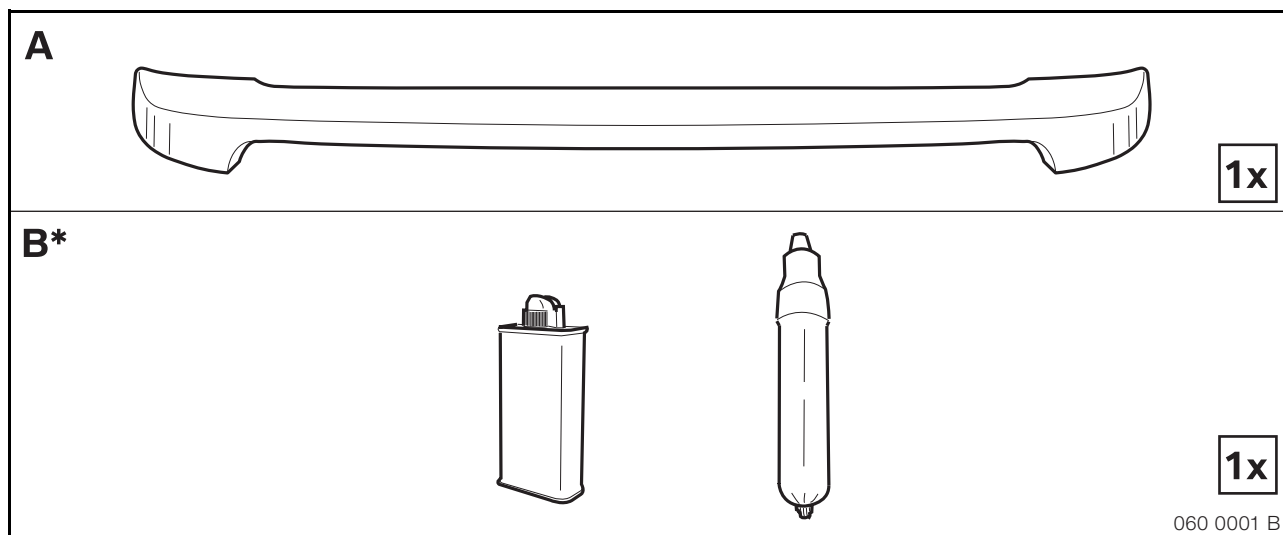
Required special tools

None

Contents

Section	Page
Important information	1
1. Parts list	3
2. To install the accessory rear spoiler	4

1. Parts list



A Accessory rear spoiler

B* Betalink adhesive pack (cleaner and adhesive)

* The Betalink adhesive pack must be ordered separately using the electronic parts catalogue (EPC).

See BMW Part No. 82 69 9 408 866.

2. To install the accessory rear spoiler

