



Parts and Accessories.

Installation Instructions.

Illuminated Front Door Sill Strip Retrofit BMW 5 Series (E60/E61)

Retrofit kit No.: 51 47 0 302 649

Installation time

The installation time is 1.5 hours, but this may vary depending on the condition of the car and the equipment in it.

Important information

These installation instructions are primarily designed for use within the BMW dealership organisation and by authorised BMW service companies;

In any event the target group for these installation instructions is specialist personnel trained on BMW cars with the appropriate specialist knowledge.

All work must be completed using the latest BMW repair manuals, circuit diagrams, servicing manuals and work instructions in a rational order using the prescribed tools (special tools) and observing current health and safety regulations.

Ensure that the cables/lines are not kinked or damaged as you install them in the car. The costs incurred as a result of this will not be reimbursed by BMW AG. Additional cables/lines that you install must be secured with cable ties. If the specified PIN chambers are occupied, bridges, double crimps or twin-lead terminals must be used.

Before you install the retrofit system, test the control module status with the CIP (coding, customising, programming) test program. If the test detects incorrect statuses in one or more control modules, these must be updated first using the "Load software" function.

All the figures show LHD cars, proceed accordingly on RHD cars.

Pictograms:



denotes instructions that draw your attention to dangers.



denotes instructions that draw your attention to special features.

◀ denotes the end of the instruction or caution text.

See the EBA CD or Aftersales Portal for explanations of the pictograms.

Do not archive the hard copy of these installation instructions since daily updates are made by Aftersales Portal.

Subject to technical modifications.

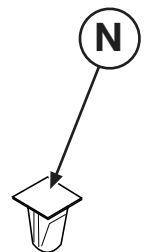
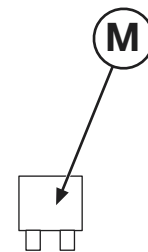
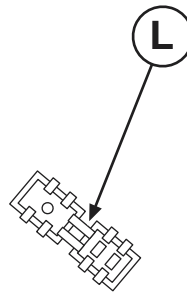
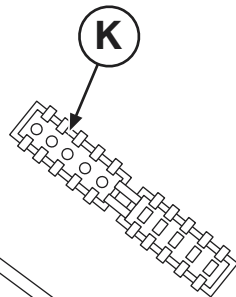
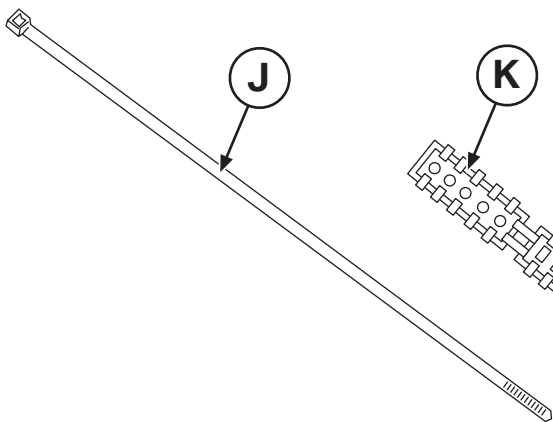
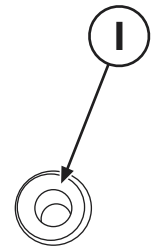
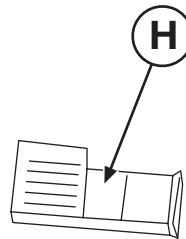
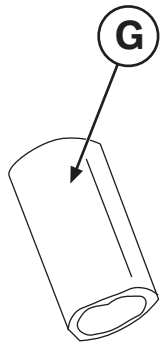
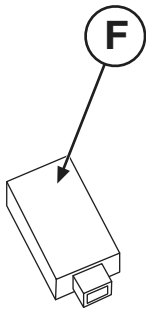
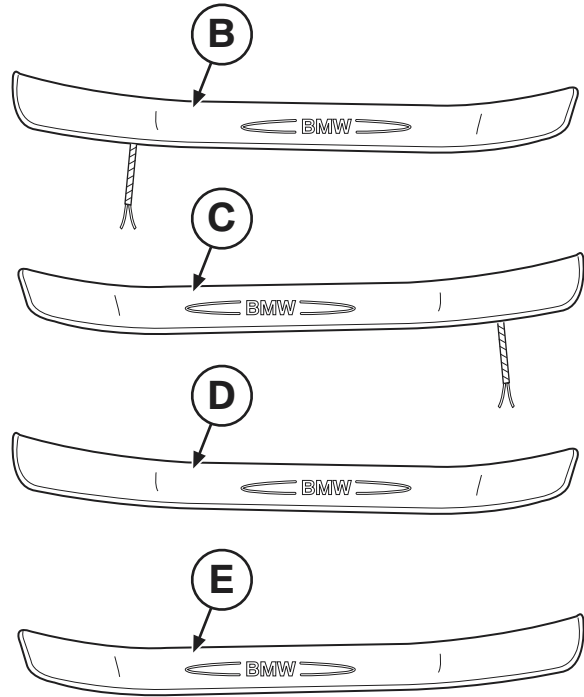
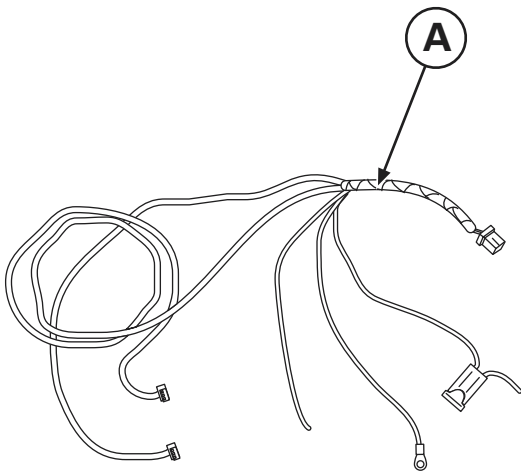
Special tools required

None

Contents

Section	Page
1. Parts list	3
2. Preparations.....	5
3. Connection diagram.....	6
4. Installation and cabling diagram	7
5. To install the adapter cable and door sill strips	8
6. Concluding work and coding	11
7. Circuit diagram	12

1. Parts list



060 0049 B

1. Parts list

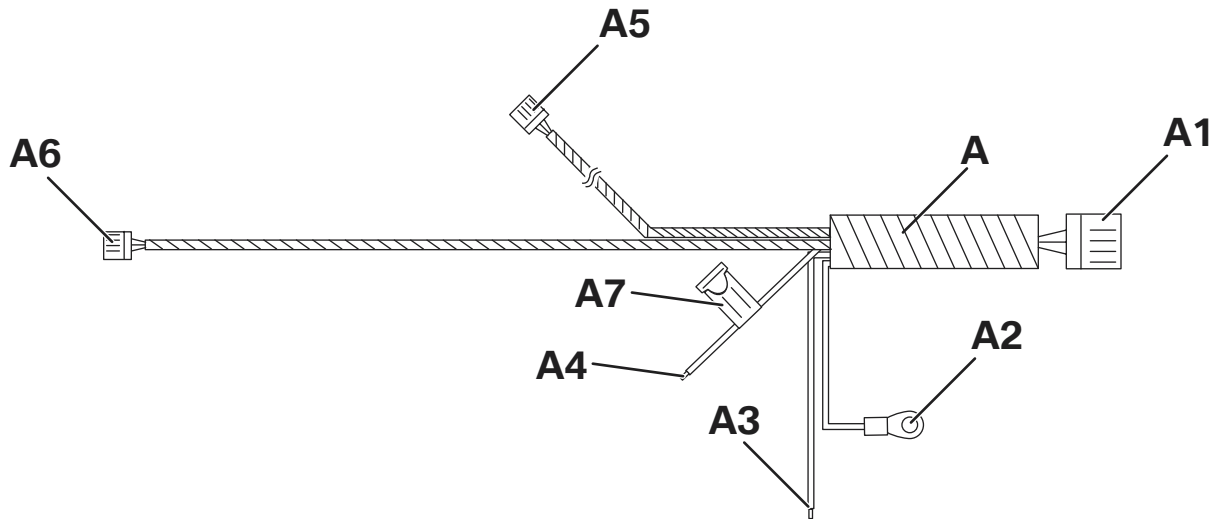
Legend

- A Wiring harness
- B Illuminated door sill strip (front left)
- C Illuminated door sill strip (front right)
- D Door sill strip (not illuminated; rear left)
- E Door sill strip (not illuminated; rear right)
- F Inverter
- G Protective cover for inverter
- H 3-pin plug casing (2x)
- I Cable grommet (2x)
- J Cable tie (10x)
- K Insulation-piercing connector (5-way)
- L Double insulation-piercing connector
- M 5 A fuse
- N Clip (18x)

2. Preparations

	TIS No.
Read the error memory	---
Disconnect the battery	12 00 ...
Remove the front and rear door sill strips on both sides	---
Remove the A pillar trim at the bottom on both sides	---
Remove the glove compartment	---
Remove the driver's footwell trim	---

3. Connection diagram

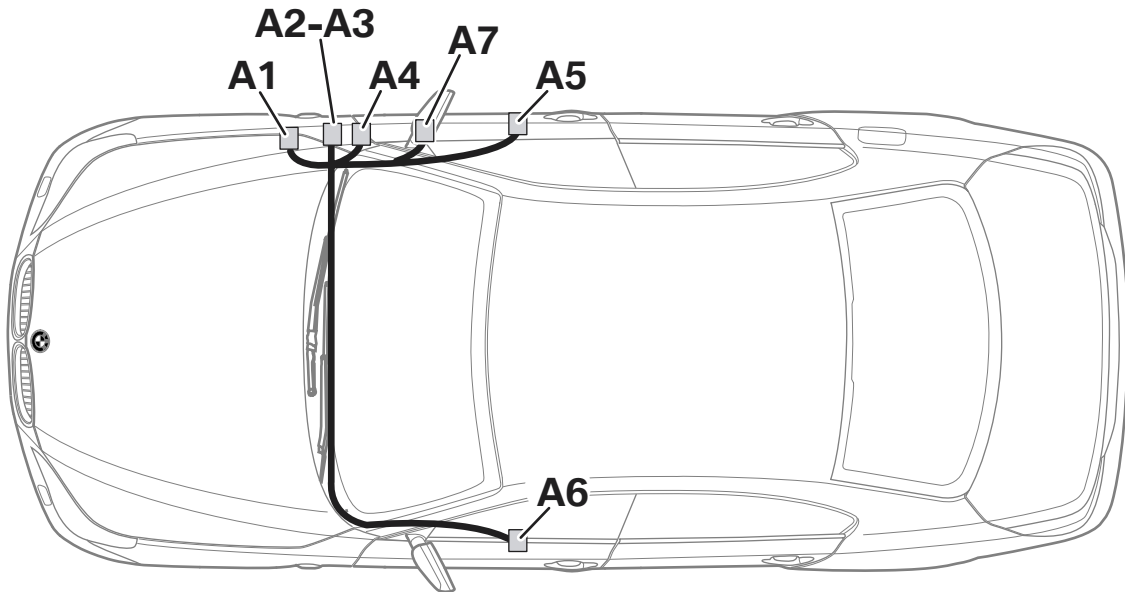


060 0050 B

Item	Description	Signal	Cable colour / Cross-section	Connection location in the car	Abbreviation / Slot
A	Wiring harness	---	---	---	---
A1	Black 8-pin socket casing	---	---	Inverter F behind glove compartment	X1*
A2	Cable lug, 6 mm in diameter	Terminal 31	BR	to earth post connection on A pillar right	X13782
A3	Open cable end	VA	BL	to 34-pin plug from body base module	X1/34
A4	Open cable end	Terminal 30	RT/GE	to standard wiring harness terminal 30, red/yellow	X2*
A5	3-pin socket casing	---	---	to front right door sill strip	X3*
A6	3-pin socket casing	---	---	to front left door sill strip	X4*
A7	Fuse holder	---	---	Tie back at A pillar right	X5*

The X designations marked with an asterisk (*) are only valid for this diagram and do not refer to the general BMW after sales documents.

4. Installation and cabling diagram

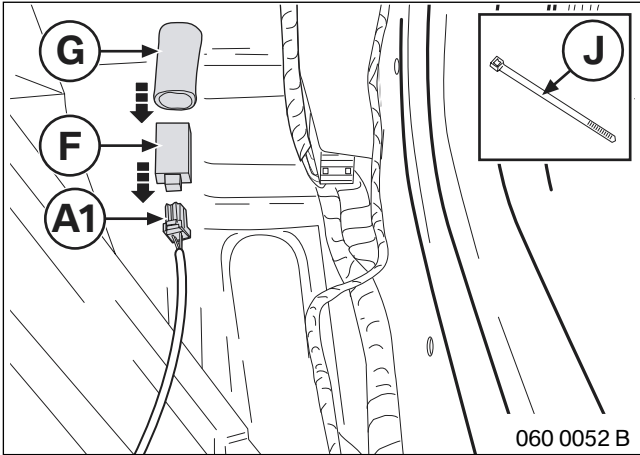


060 0051 B

Legend

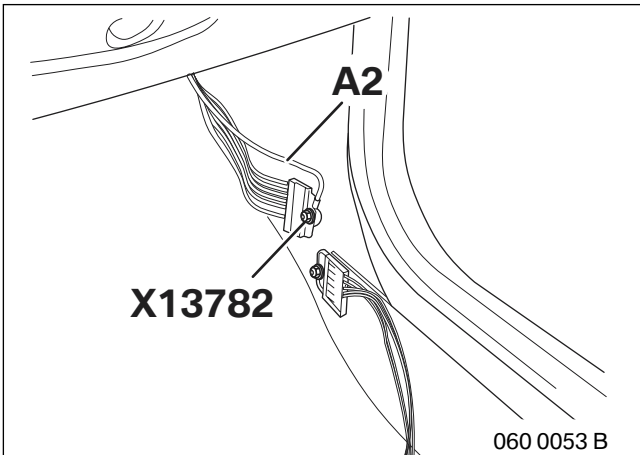
- A1** to inverter **F**
- A2** to **X13782**
- A3** to **X1/34**
- A4** to red/yellow cable terminal 30
- A5** to door sill strip
- A6** to door sill strip
- A7** Fuse holder

5. To install the adapter cable and door sill strips



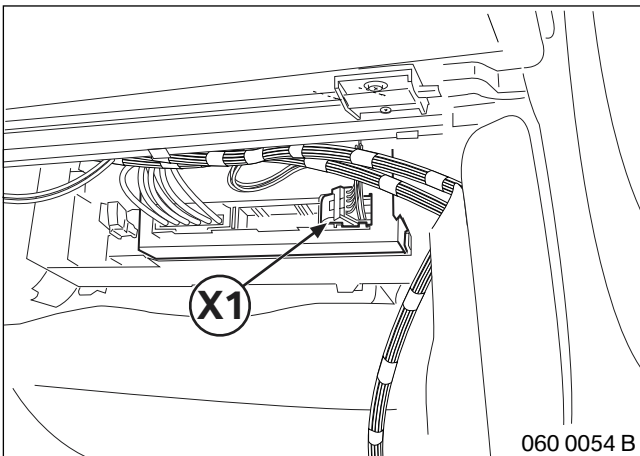
▶ The figure shows the door sill, front right. ◀

Connect branch **A1** to inverter **F**. Push protective cover **G** over inverter **F** and tie it back at a suitable point.



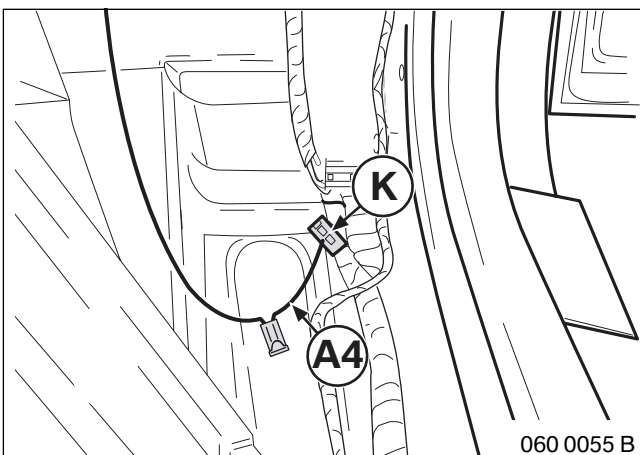
▶ The figure shows the door sill, front right. ◀

Connect branch **A2** to earth post connection **X13782**.



▶ The figure shows the door sill, front right. ◀

Connect branch **A3** to 34-pin plug **X1**, **PIN34** of the body base module.



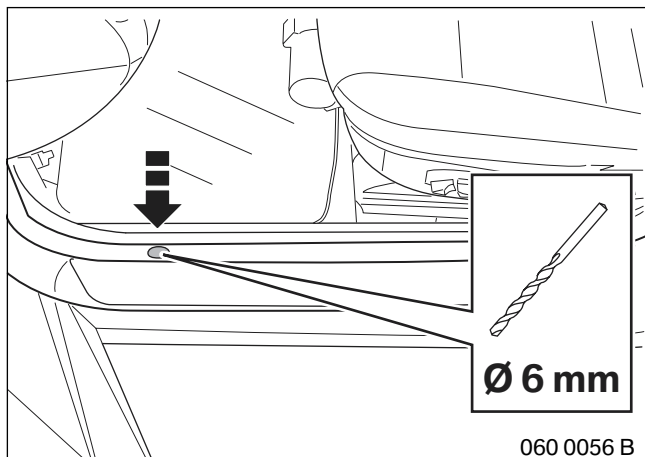
▶ The figure shows the door sill, front right. ◀

▶ Check whether terminal 30 is present. ◀

Route branch **A5** to the front right door sill and branch **A6** to the front left door sill. Use insulation-piercing connector **K** to connect branch **A4** to the red/yellow power supply cable of the main cable loom.

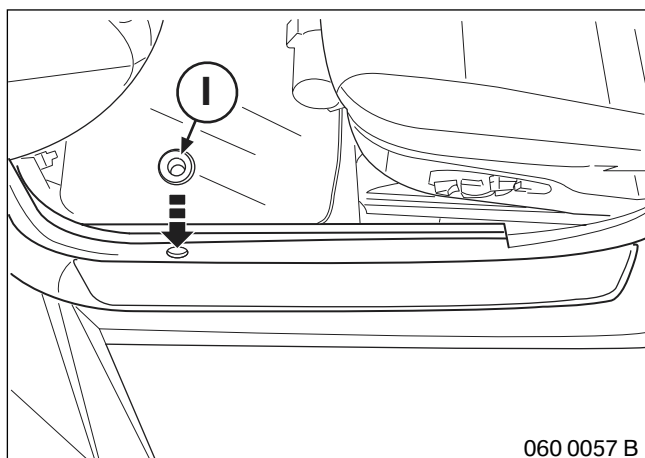
⚠ Do not insert fuse **M** yet. ◀

5. To install the adapter cable and door sill strips



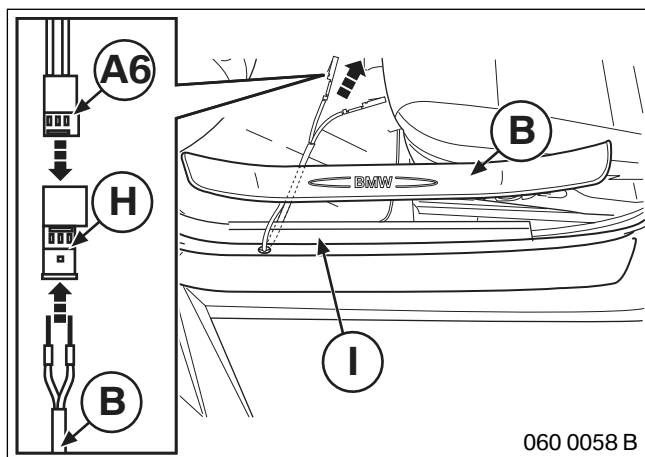
▶ The figure shows the door sill, front left. Proceed in exactly the same way on the front right door sill. ◀

Drill a 6 mm hole at a suitable point in the **front** side skirt fold.



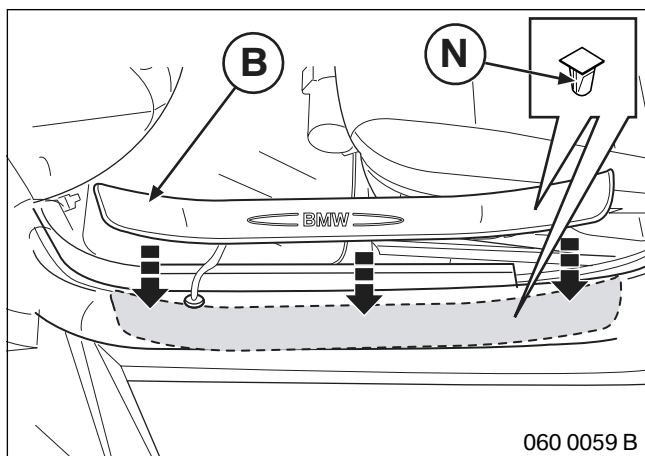
▶ The figure shows the door sill, front left. Proceed in exactly the same way on the front right door sill. ◀

Insert rubber grommet **I** in the hole you have drilled.



▶ The figure shows the door sill, front left. Proceed in exactly the same way on the front right door sill. ◀

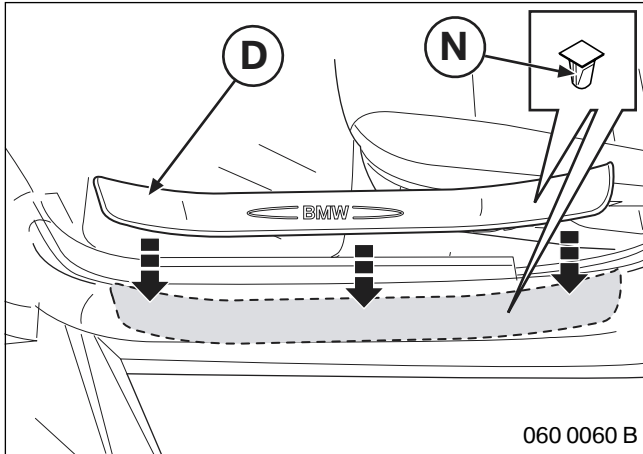
Route door sill strip connection cable **B** through rubber grommet **I** into the interior. Connect the plug contacts of door sill strip **B** into plug casing **H**, chambers (1) and (3) and connect branch **A5** or **A6** of the adapter cable harness.



▶ The figure shows the door sill, front left. Proceed in exactly the same way on the front right door sill. ◀

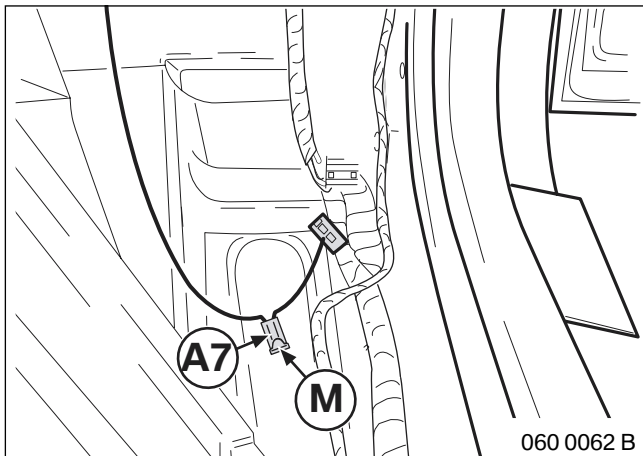
Attach door sill strip **B** with clips **N**.

5. To install the adapter cable and door sill strips



▶ The figure shows the door sill, rear left.
Proceed in exactly the same way on the rear
right door sill. ◀

Attach door sill strip **D** with clips **N**.



Insert fuse **M** into fuse holder **A7**.

6. Concluding work and coding

Concluding work

Connect battery

Conduct a function test

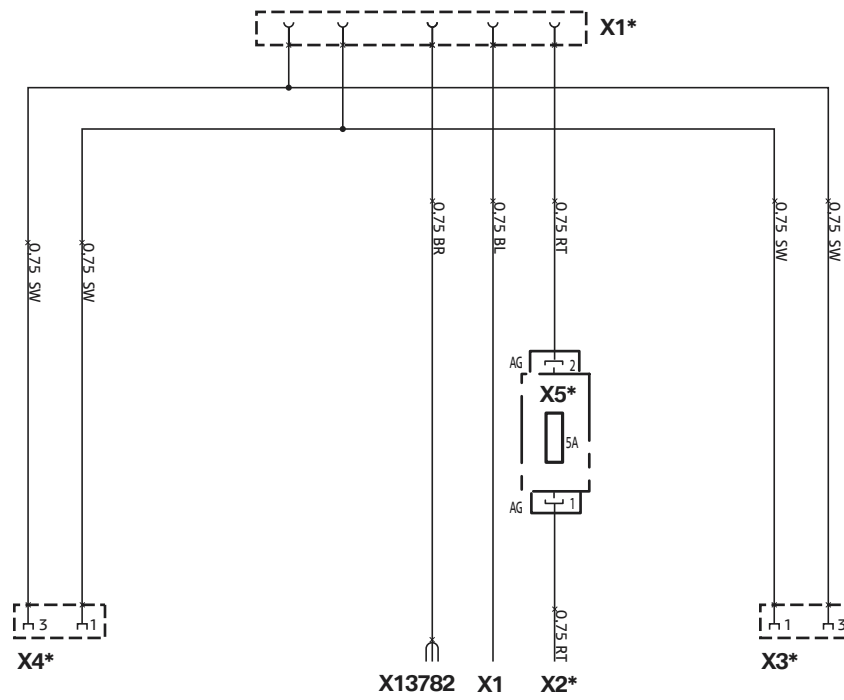
Reassemble the car by following the instructions for its dismantling in reverse order

Print out error memory

Coding

This system does not require coding.

7. Circuit diagram



060 0061 B

7. Circuit diagram

Legend

X1*	8-pin socket casing
X1	Open cable end signal
X2*	Open cable end terminal 30
X13782	Cable lug, 6 mm in diameter
X3*	3-pin socket casing
X4*	3-pin socket casing
X5*	Fuse holder

All the components marked with an asterisk (*) are only valid for this circuit diagram.

All the other components and X designations correspond to BMW after-sales circuit diagrams

Cable colours

BR	Brown
GE	Yellow
GN	Green
GR	Grey
RT	Red
SW	Black
VI	Violet
WS	White