



Parts and Accessories Installation Instructions

Front and rear mud flaps retrofit kit BMW 5 Series (E 60)

Retrofit kit part number: 82 16 0 148 711,
82 16 0 148 712.

Installation time:

The installation time is 0.5 hours per axle, but this may vary depending on the condition of the car and the equipment in it.

Important information:

- These installation instructions are primarily designed for use within the BMW dealership organisation and by authorised BMW service companies. In any event the target group for these installation instructions is specialist personnel trained on BMW cars with the appropriate specialist knowledge.
- The target group for these installation instructions is specialist personnel trained on BMW cars with the appropriate specialist knowledge.
- All work must be completed using the latest repair manuals, circuit diagrams, servicing manuals and work instructions in a rational order using the prescribed tools (special tools) and observing current health and safety regulations.
- All the figures show LHD cars, proceed in exactly the same way on RHD cars.
- The plastic and metal parts on the car to which the mud flaps will be glued must have a temperature of at least 15 °C for the installation.
- The glued mud flaps must not be taken through a car wash for 48 hours.
- Subject to technical modifications.



- See the EBA CD or ASAP (After Sales Assistance Portal) for explanations of the pictograms.
- Do not archive the hard copy of these installation instructions since daily updates are made by ASAP.

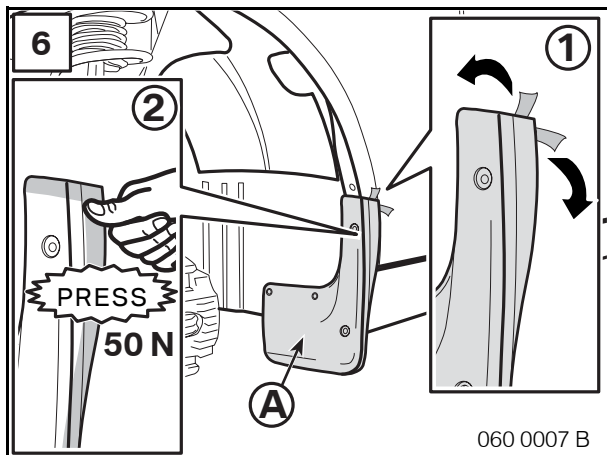
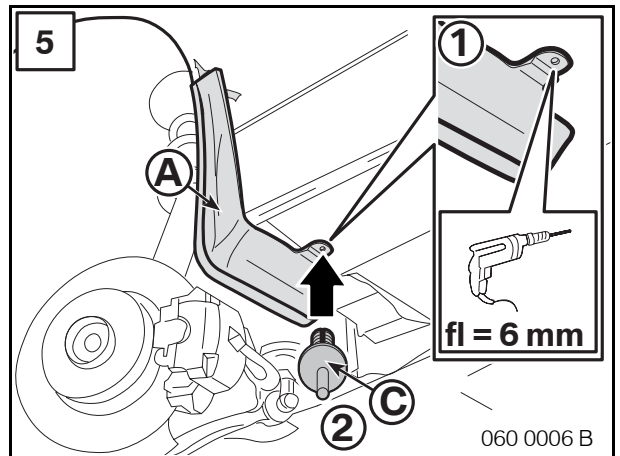
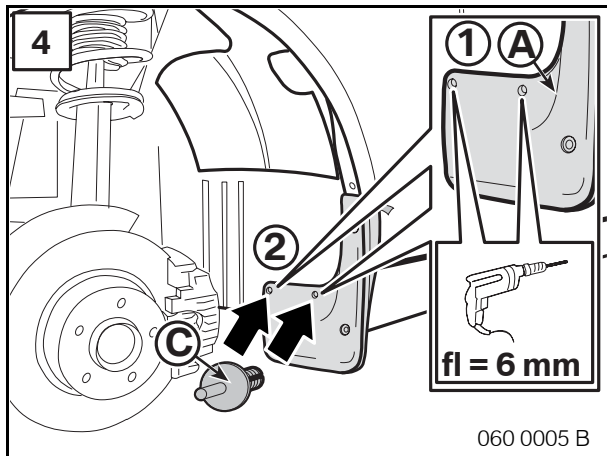
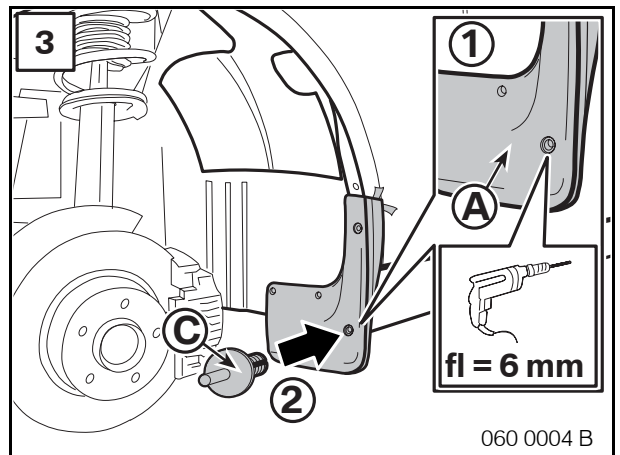
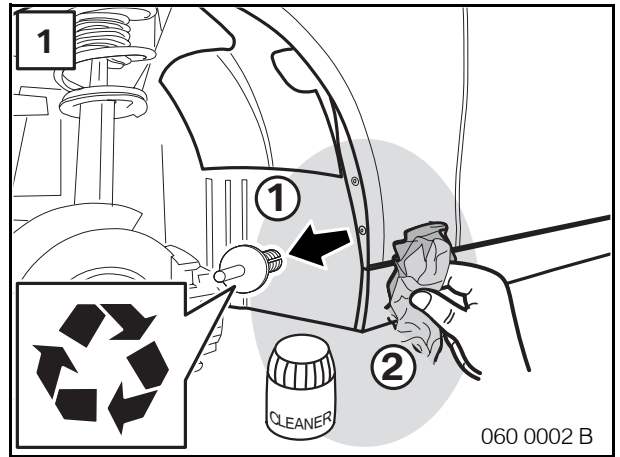
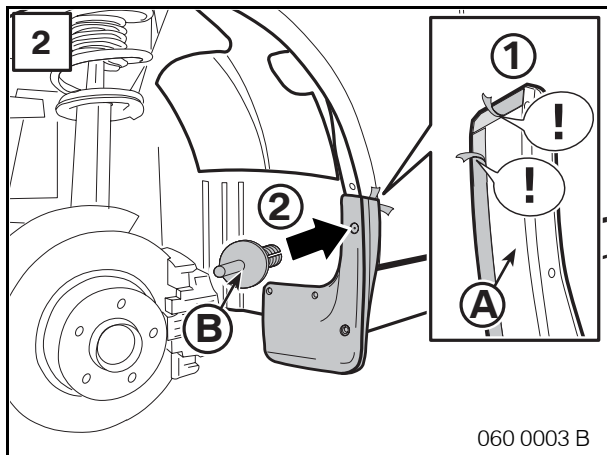
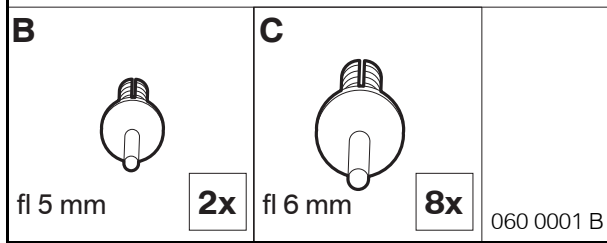
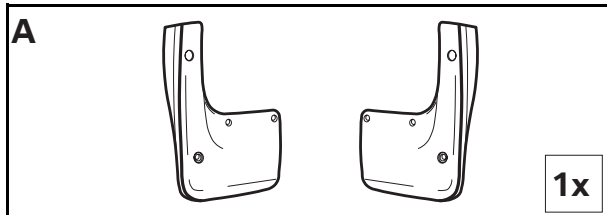
Special tools:

None

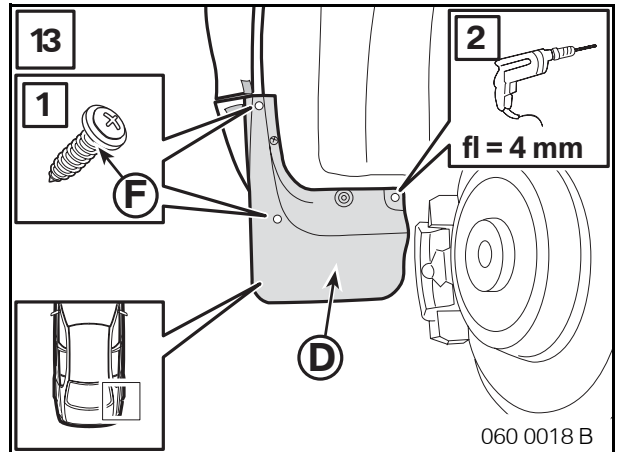
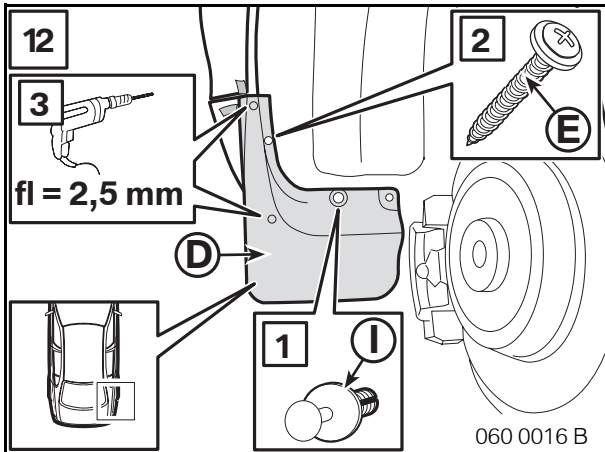
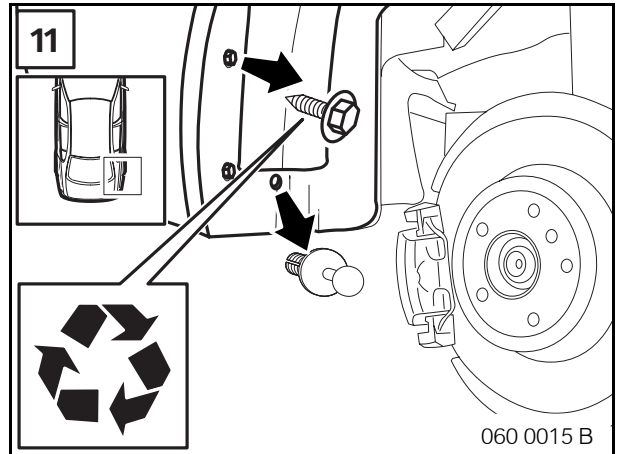
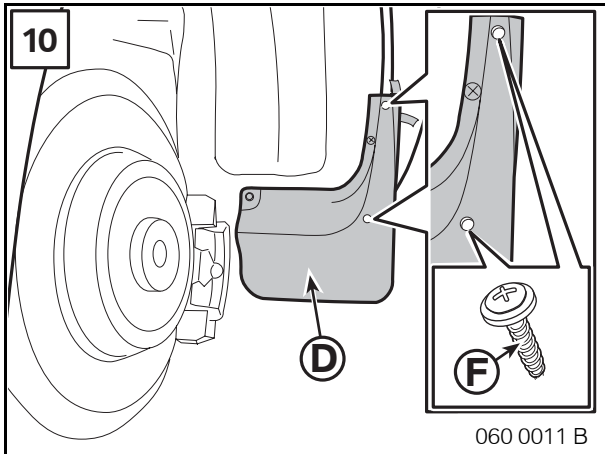
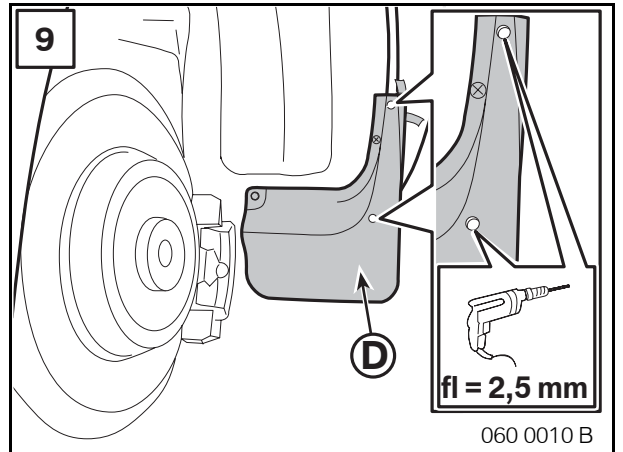
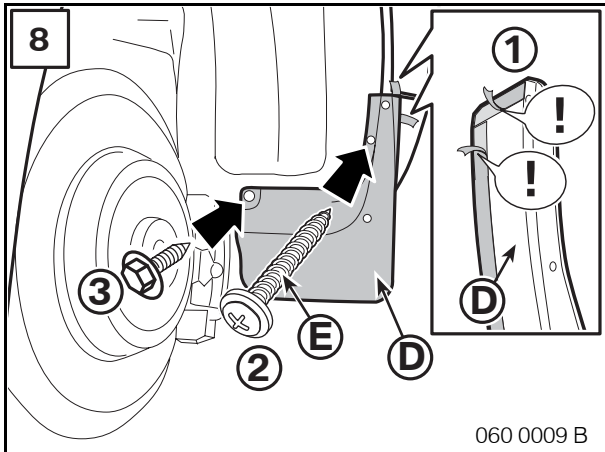
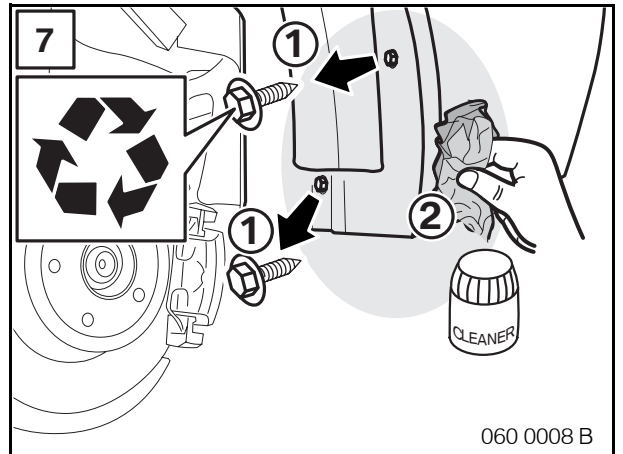
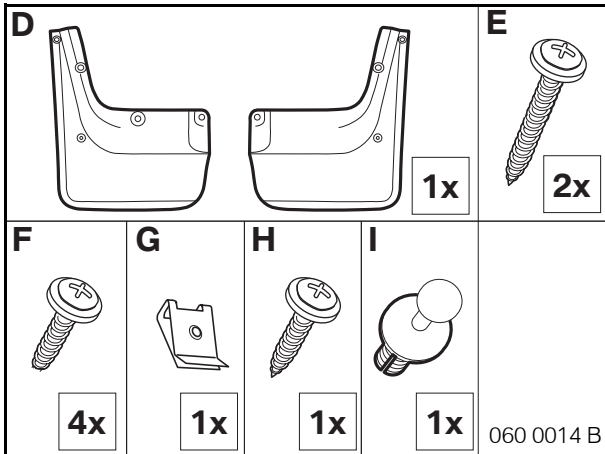
Contents

Section	Page
Important information.....	1
1. To fit the front mud flaps.....	3
2. To fit the rear mud flaps	4

1. To fit the front mud flaps



2. To fit the rear mud flaps



Symbols

• Explanatory text for the symbols

Information

· Note	01
· Safety note	02
· See workshop manual (TIS)	03
· See specified figure	04
· Right	05
· Wrong	06
· Dispose of / Do not reuse	07
· Fire risk	08
· Wear protective gloves	09
· Maximum load	10
· In car at front	11
· In car at rear	12
· Left-hand drive car	13
· Right-hand drive car	14

Activities

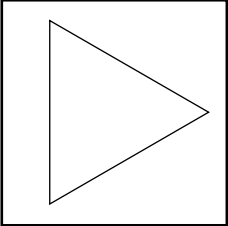


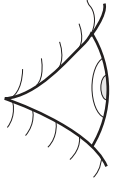

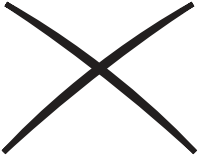
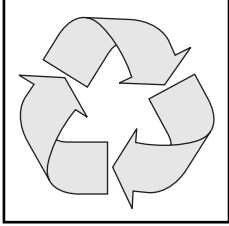

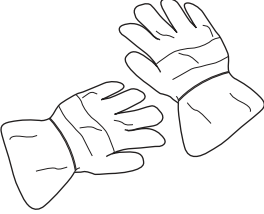
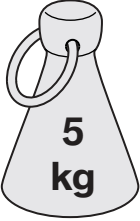
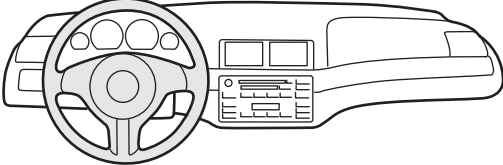
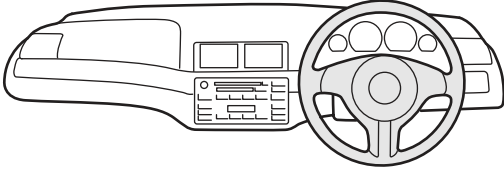
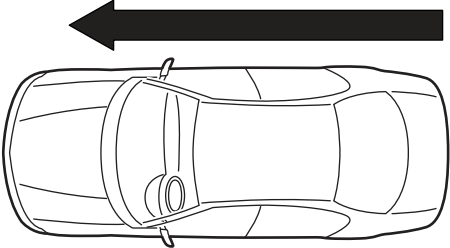
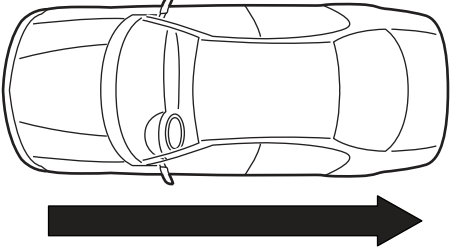
· Movement arrow	15
· Position arrow	16
· Disconnect	17
· Connect	18
· Wait specified time	19a - 19b
· Protect against corrosion	20
· Clean with sponge and water	21
· Clean	22
· Attach with adhesive tape	23
· Use a hot air blower (with spatula)	24
· Use a spatula	25
· Disconnect the battery	26
· Connect the battery	27
· Can be car-washed after hours	28

Tools / special tools

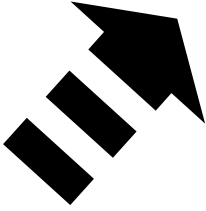
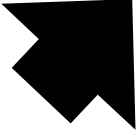
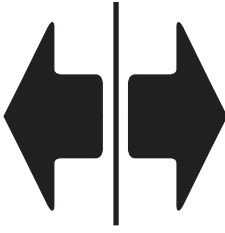
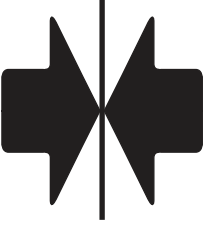
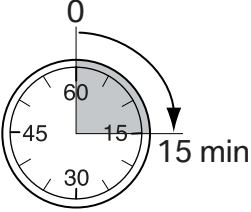
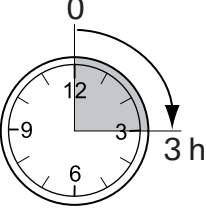
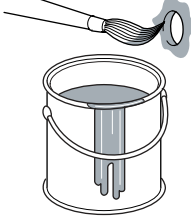
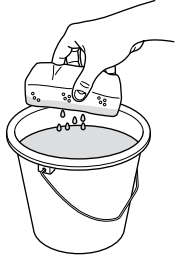
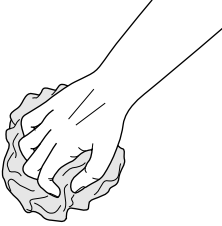
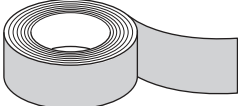

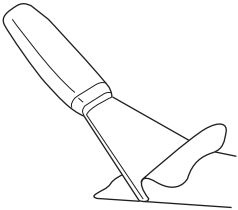
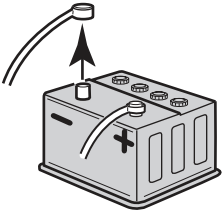
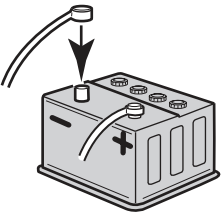
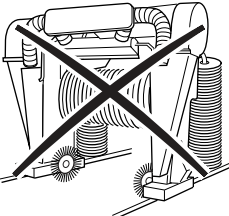
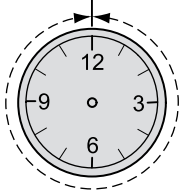
· Mark	29
· Scribe	30
· Peen	31
· Use a drill bit	32

· Use a cylindrical keyhole saw	33
· Use a drill	34
· Drill up to stop	35
· Use a jigsaw	36
· Use a pneumatic saw	37
· Cut out with a knife	38
· Use scissors (cut off)	39
· Use a file	40
· Tighten to specified tightening torque	41
· Screw tight	42
· Use a Philips screwdriver	43
· Use a flat screwdriver	44
· Use a Torx driver	45
· Use a cartridge gun (seal)	46
· Use a rubber mallet	47
· Use a hot air blower	48
· Use crimping pliers	49
· Use an angle cutter	50
· Use combination pliers	51
· Use a riveter for blind rivets	52

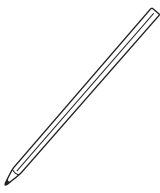
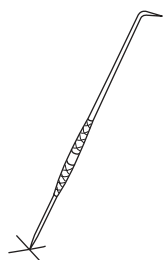
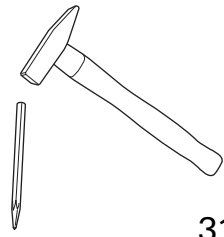
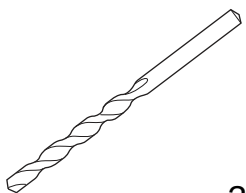
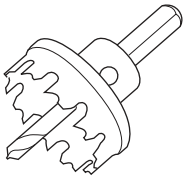
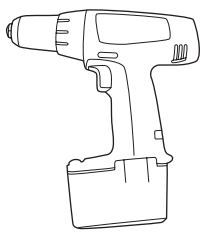
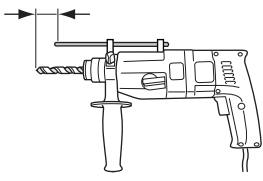
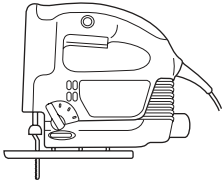
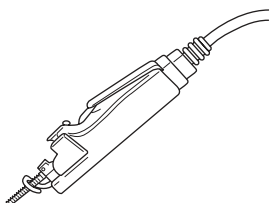
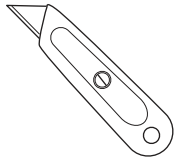

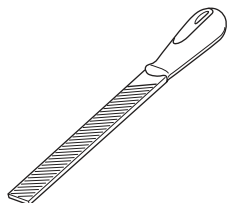
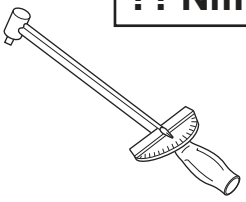
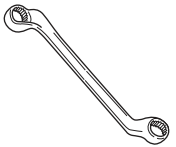
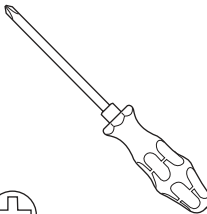
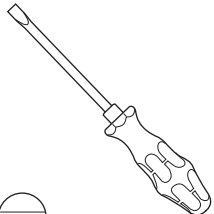
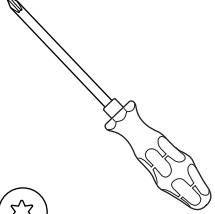
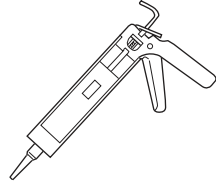
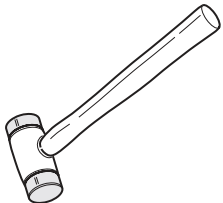
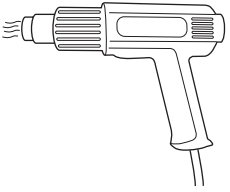
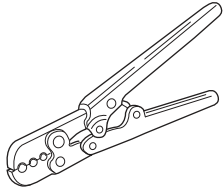
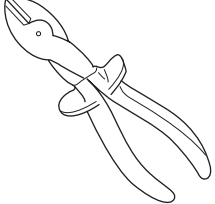
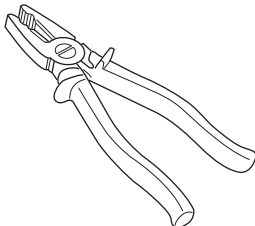
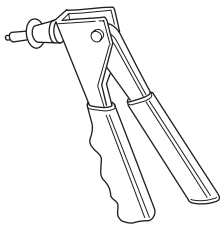
Information

 <p>01</p>	 <p>02</p>	 <p>TIS-Nr.</p> <p>03</p>	 <p>18</p> <p>04</p>
 <p>05</p>	 <p>06</p>	 <p>07</p>	 <p>08</p>
 <p>09</p>	 <p>5 kg</p> <p>10</p>		
 <p>11</p>	 <p>12</p>		
 <p>13</p>	 <p>14</p>		

Activities

 <p>15</p>	 <p>16</p>	 <p>17</p>	 <p>18</p>
 <p>19a</p>	 <p>19b</p>	 <p>20</p>	 <p>21</p>
 <p>22</p>	 <p>23</p>	 <p>24</p>	 <p>25</p>
 <p>26</p>	 <p>27</p>		 <p>h</p> <p>28</p>

Tools / special tools

 <p>29</p>	 <p>30</p>	 <p>31</p>	<p>Ø ?? mm</p>  <p>32</p>
<p>Ø ?? mm</p>  <p>33</p>	 <p>34</p>	<p>?? mm</p>  <p>35</p>	 <p>36</p>
 <p>37</p>	 <p>38</p>	 <p>39</p>	 <p>40</p>
<p>?? Nm</p>  <p>41</p>	 <p>42</p>	 <p>43</p>	 <p>44</p>
 <p>45</p>	 <p>46</p>	 <p>47</p>	 <p>48</p>
 <p>49</p>	 <p>50</p>	 <p>51</p>	 <p>52</p>