



Parts and Accessories.

Installation instructions.

Retrofit kit BMW DVD system BMW 5-series Saloon (E60) without sunroof

Retrofit kit part number: 82 82 0 303 964
82 82 0 303 606
82 82 0 302 949
82 82 0 304 648

Installation time:

The installation time of approx. 4.0 hours can vary depending on the condition and equipment of the vehicle.

Important information:

These installation instructions are primarily intended for use in the BMW dealership network as well as by authorised BMW service centres.

The target group of these installation instructions are technical personnel trained on BMW vehicles with corresponding technical know-how.

All work is to be carried out with the aid of currently valid BMW repair instructions, schematic circuit diagrams, maintenance manuals and working instructions in rational order with the specified tools (special tools) while paying particular attention to valid safety regulations.

When installing cables/lines, particular attention must be paid to ensure that they are not bent, kinked or damaged. The costs incurred will not be reimbursed by BMW AG. Additionally installed cables/lines must be secured with cable ties.

Bridges, double crimp or parallel connections must be made if the specified PIN chambers are already occupied.

The control unit status (condition) must be checked with the test program CIP (coding, individualising, programming) before installing the retrofit. If the check finds incorrect or faulty statuses in one or several control units, they must be first corrected/updated with the "Load software" function.

All illustrations show LHD vehicles. The same procedure must be carried out analogously on RHD vehicles.

Pictographs:



Denotes information that draws attention to danger/hazards.



Denotes information that draws attention to specific points.

◀ Denotes the end of an information or warning text.

For key to pictographs, see EBA-CD or after-sales portal.

Do not archive the printout of these installation instructions as they are updated daily via the after-sales portal!

Subject to technical modifications.

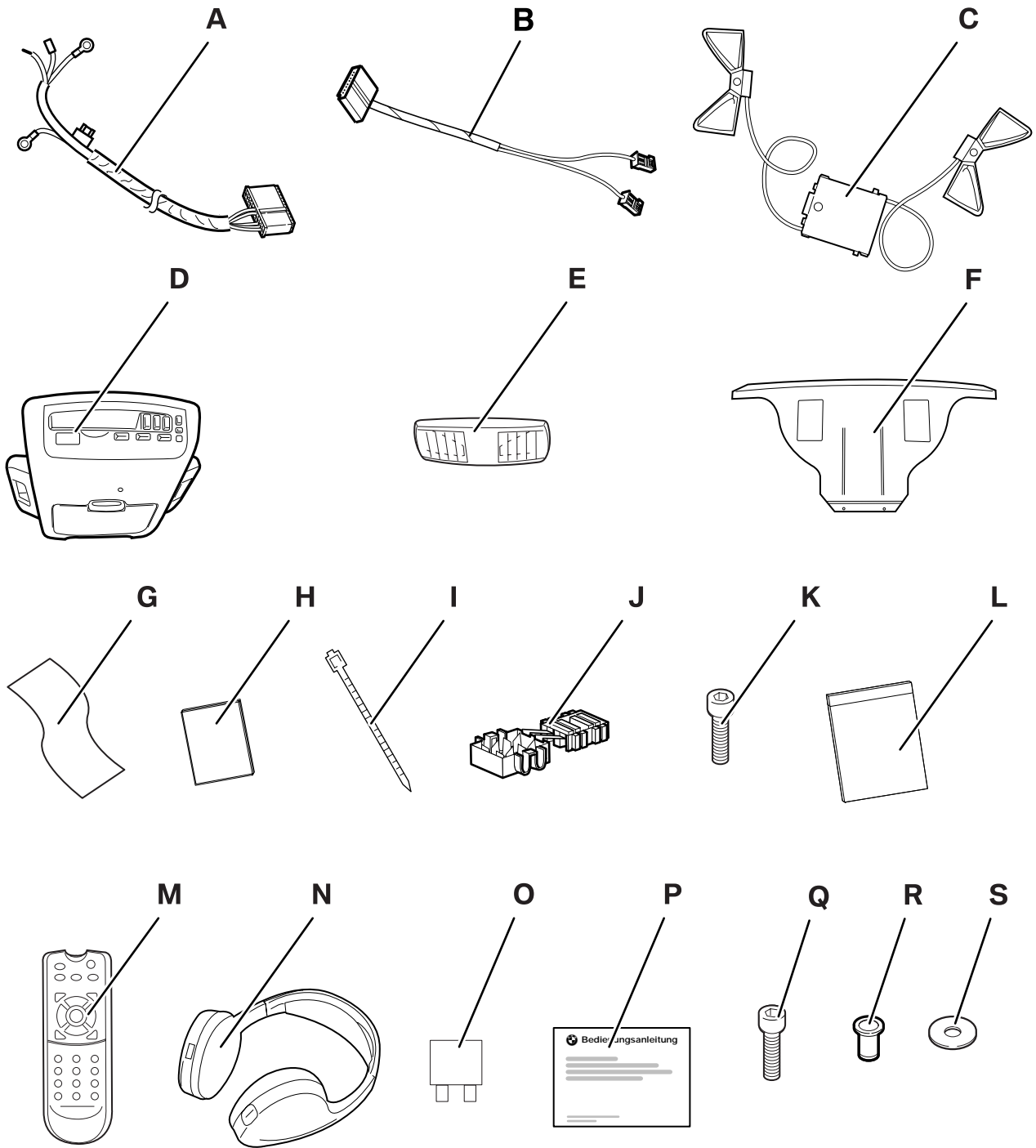
Special tools:

None

Contents

Section	Page
1. Parts Overview	3
2. Preparation	5
3. Overview of Connections	6
4. Installation and Layout Diagram	7
5. Installing Roof Brace	8
6. Installing Wiring Harness	9
7. Installing DVD Console	10
8. Encoding	12
9. Finishing Off	13
10. Schematic Circuit Diagram	14

1. Parts Overview



060 0034 B

1. Parts Overview

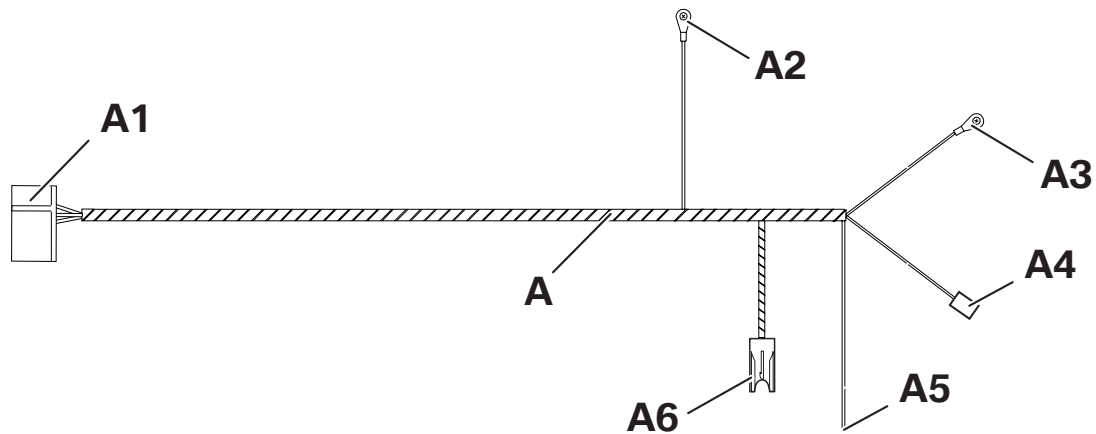
Key

- A DVD wiring harness
- B Adapter wiring harness for auxiliary lights (pre-installed on DVD console)
- C Antitheft alarm system (for vehicles equipped with DWA only)
- D DVD console
- E Frame for antitheft alarm system (2 x) (for vehicles equipped with DWA only)
- F Roof brace
- G Fleece band (300 mm) (2 x)
- H Damping strip (10 x)
- I Cable tie (10 x)
- J Double insulation displacement connector (2 x)
- K Socket head cap screw M5 x 25 mm (2 x)
- L Rattle guard
- M Remote control for DVD console
- N Infrared headset (2 x)
- O Fuse (2 x)
- P Operating instructions
- Q Socket head cap screw M5 x 20 mm
- R Blind rivet nut M5
- S Washer

2. Preparation

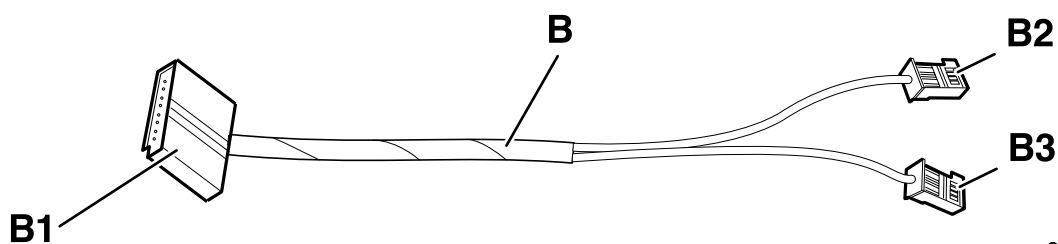
	TIS No.
Print out fault code memories	---
Disconnect battery	12 00 ...
Remove ultrasonic module for antitheft alarm system (if fitted)	65 75 565
Remove mounting frame for ultrasonic module (if fitted)	---
Remove headlining	51 44 001
Remove rear bench seat	---
Remove luggage compartment floor	51 47 101
Remove trim panel in rear right of luggage compartment	51 47 ...

3. Overview of Connections



060 0007 B

Item	Description	Signals	Wire colour	Connection location in vehicle	Designation/ plug-in slot
A	DVD wiring harness	---	---	---	
A1	20-pin grey socket housing	---	---	At DVD console	X1*
A2	Cable eye 6 mm	Terminal 31	Brown	At ground terminal point, right C-pillar	X13790
A3	Cable eye 6 mm	Terminal 30	Red/green	At B+ battery terminal	B+
A4	Socket contact	Terminal R	Violet/white	At 32-pin black connector of fuse holder in luggage compartment	X11012/16
A5	Wire open	Terminal 58G	Grey/red	Connector for right tail light at black/brown wire	X318/6
A6	Fuse holder	---	---	Tie back next to battery	X2*

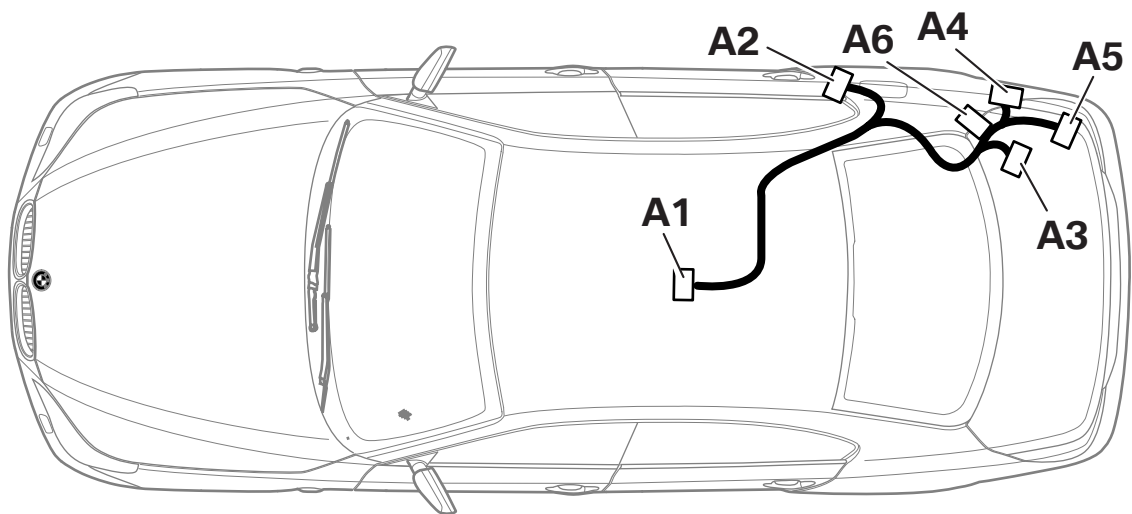


060 0029 B

Item	Description	Signals	Wire colour	Connection location in vehicle	Designation/ plug-in slot
B	Adapter cable for auxiliary lights	---	---	---	
B1	8-pin white pin housing	---	---	At connector for rear interior light in headliner Attention: replace PIN 8 with PIN 5 in standard connector	X3*
B2	3-pin black socket housing	---	---	At auxiliary light (in DVD console)	X4*
B3	3-pin black socket housing	---	---	At auxiliary light (in DVD console)	X5*

The components marked with * apply to this overview only. All other X-designations correspond to the BMW service schematic circuit diagrams.

4. Installation and Layout Diagram



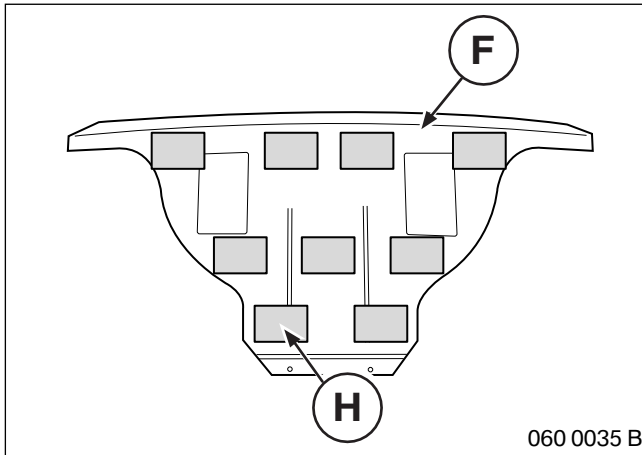
060 0008 B

Install all wiring harnesses as illustrated and secure with cable ties.
Tie back excess lengths.

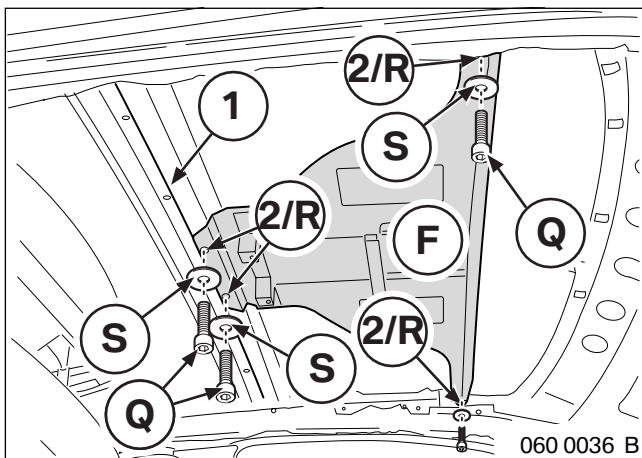
DVD wiring harness A

- A1 At DVD console
- A2 At ground terminal point **X13790**
- A3 At **B+** battery terminal
- A4 At **X11012/16**
- A5 At **X318/6**
- A6 Tie back

5. Installing Roof Brace

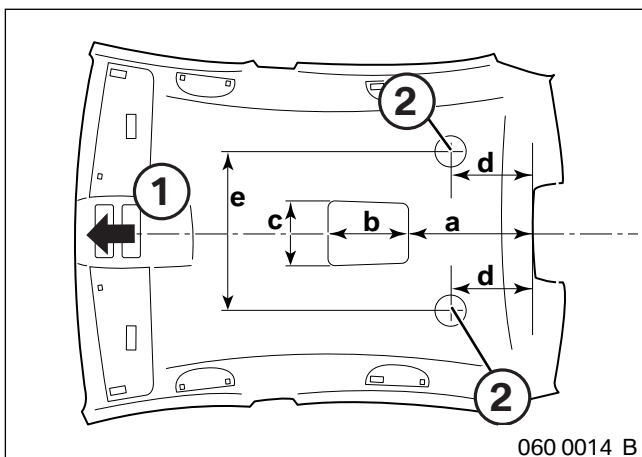


Adhere damping strips **H** to top of roof brace **F**.



Remove the roof brace before fitting the blind rivets **R**. ◀

Place roof brace **F** on edge (1).
Mark hole (2) and drill 7 mm \varnothing hole.
Fit blind rivet nuts **R** in holes (2).
Secure roof brace **F** with screws **Q** and washers **S**.



Arrow indicates forward direction. ◀

Cut headliner (1) as illustrated.

Dimension **a** = 420 mm

Dimension **b** = 280 mm

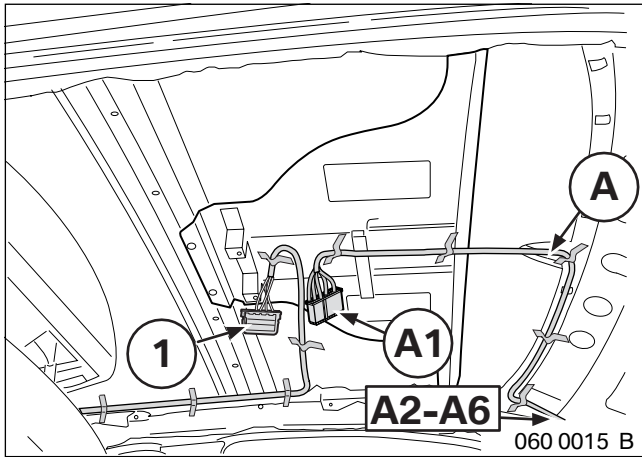
Dimension **c** = 220 mm

Dimension **d** = 330 mm

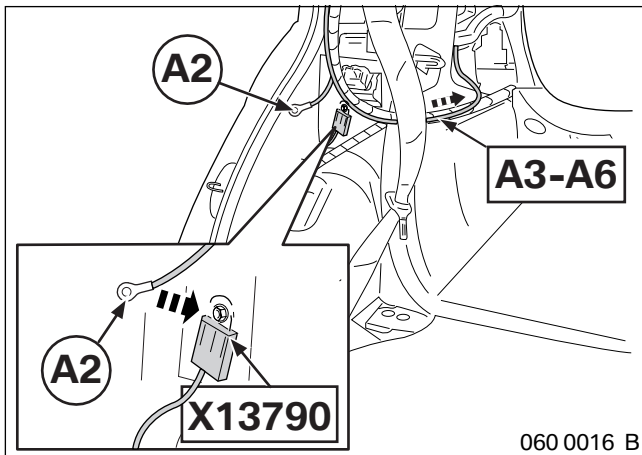
Dimension **e** = 400 mm

Cut out hole (2) (\varnothing 30 mm) only on vehicles with DWA. ◀

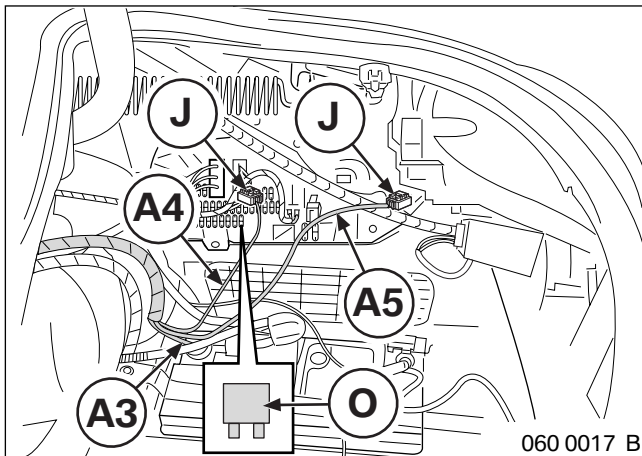
6. Installing Wiring Harness




Secure branch **A1** in roof with insulating tape.
Route branch **A2-A6** along the main wiring harness down to the right-hand D-pillar.
Use insulating tape to secure the 8-pin white socket housing (1) for the interior lighting in the roof.



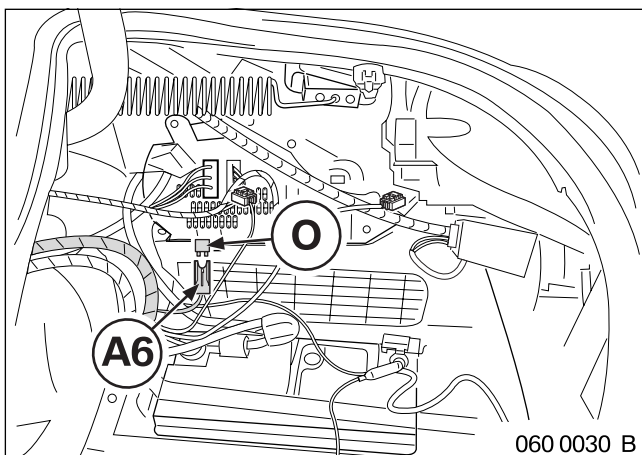
Branch **A2** at ground terminal point **X13790**.



Connect branch **A3** to battery terminal **B+**.
Plug branch **A4** into 32-pin black connector **X11012, PIN 16** or connect to green/blue wire with insulation displacement connector **J**.

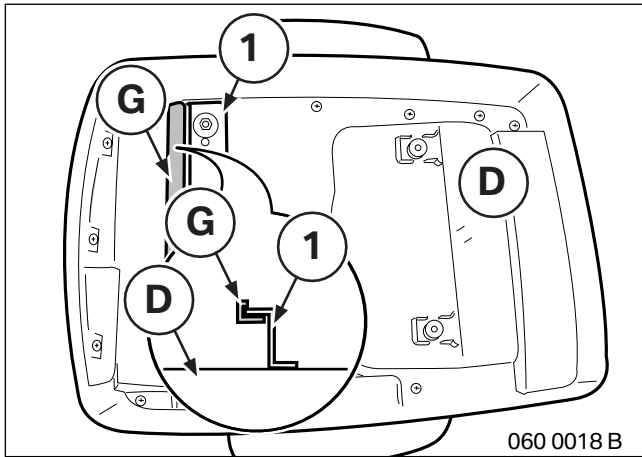
 If fuse **F63** is not installed, fit fuse **O**. ◀

Connect branch **A5** to tail light connector **X318, PIN 6**, black/brown wire, with insulation displacement connector **J**.

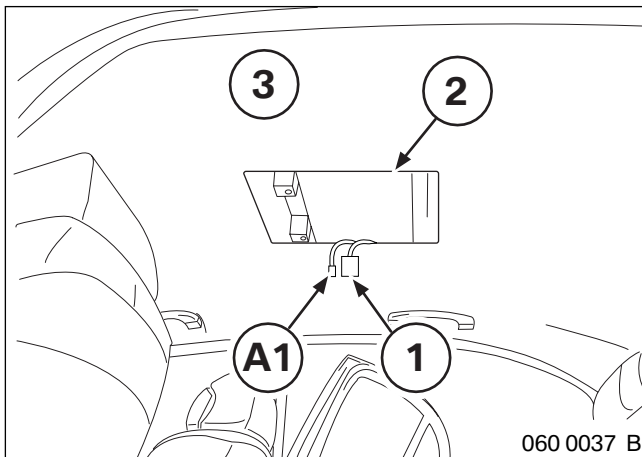


Fit fuse **O** (3A) in branch **A6** and tie back to wiring harness.

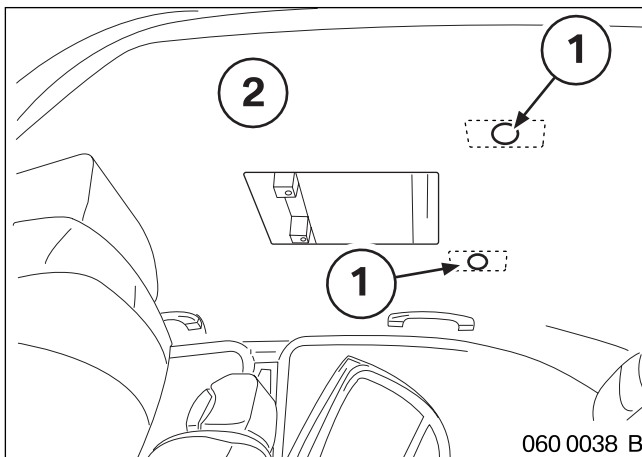
7. Installing DVD Console



Adhere fleece band **G** to retaining plate (1) of DVD console **D** (cut off excess length).



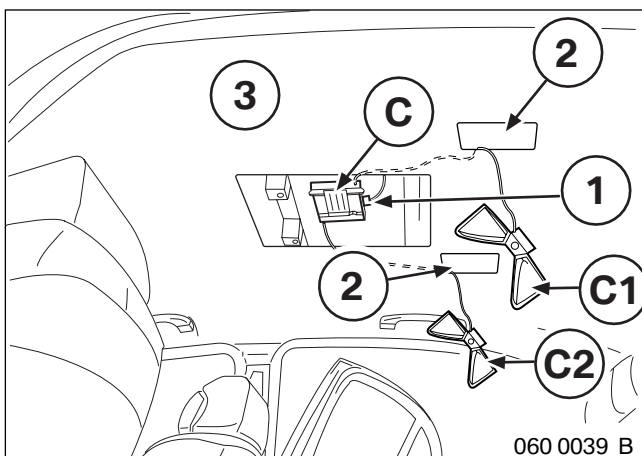
Pass branch **A1** and interior lighting connector (1) through opening (2) in headlining (3).



▶ On vehicles with DWA only. ◀

Use knife to cut out apertures (1) in headlining (2) for DWA sensors.

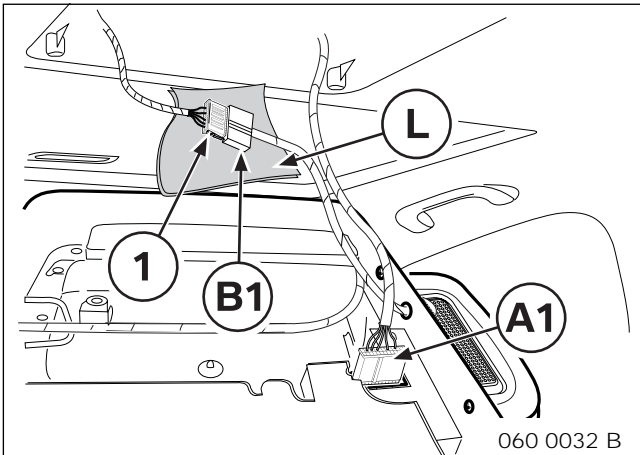
▶ Use edges of installed roof brace as cutting guide (cut accurately!). ◀



▶ On vehicles with DWA only. ◀

Connect antitheft alarm system (DWA) **C** to connector (1) provided.
Fit sensors **C1/C2** in holes (2) in headlining (3).

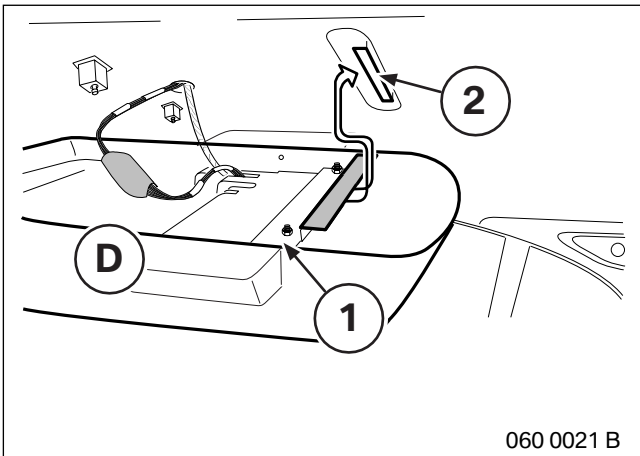
7. Installing DVD Console



Connect branch **A1** to DVD console **D**.

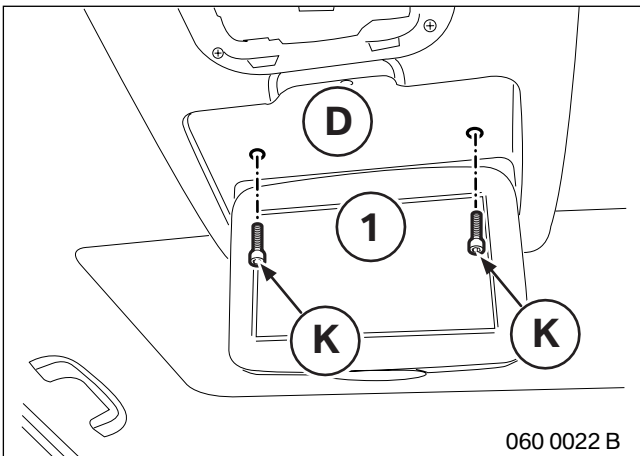
Connect branch **B1** to connector (1) for interior lighting.

Adhere rattle guard **L** to the cables such that the plug connection (1) and **B1** are enclosed.

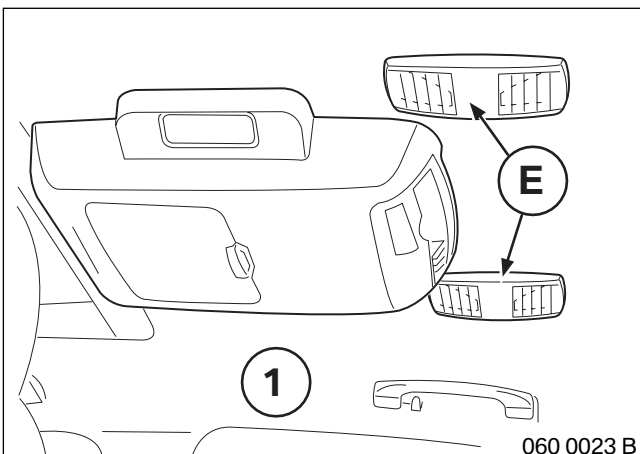


▶ Take particular care when mounting the DVD console to ensure that the connection cables are not trapped or damaged. ◀

Slide the DVD console **D** with retaining plate (1) into the retaining bracket (2) on the roof brace. Bend the retaining plate (1) and/or retaining bracket (2) if the hold between the two elements is not sufficient.



Fold down the monitor (1). Firmly secure DVD console **D** with two screws **K** to the roof brace.



▶ On vehicles with DWA only. ◀

Clip DWA frame **E** with DWA sensors in headliner (1).

8. Encoding

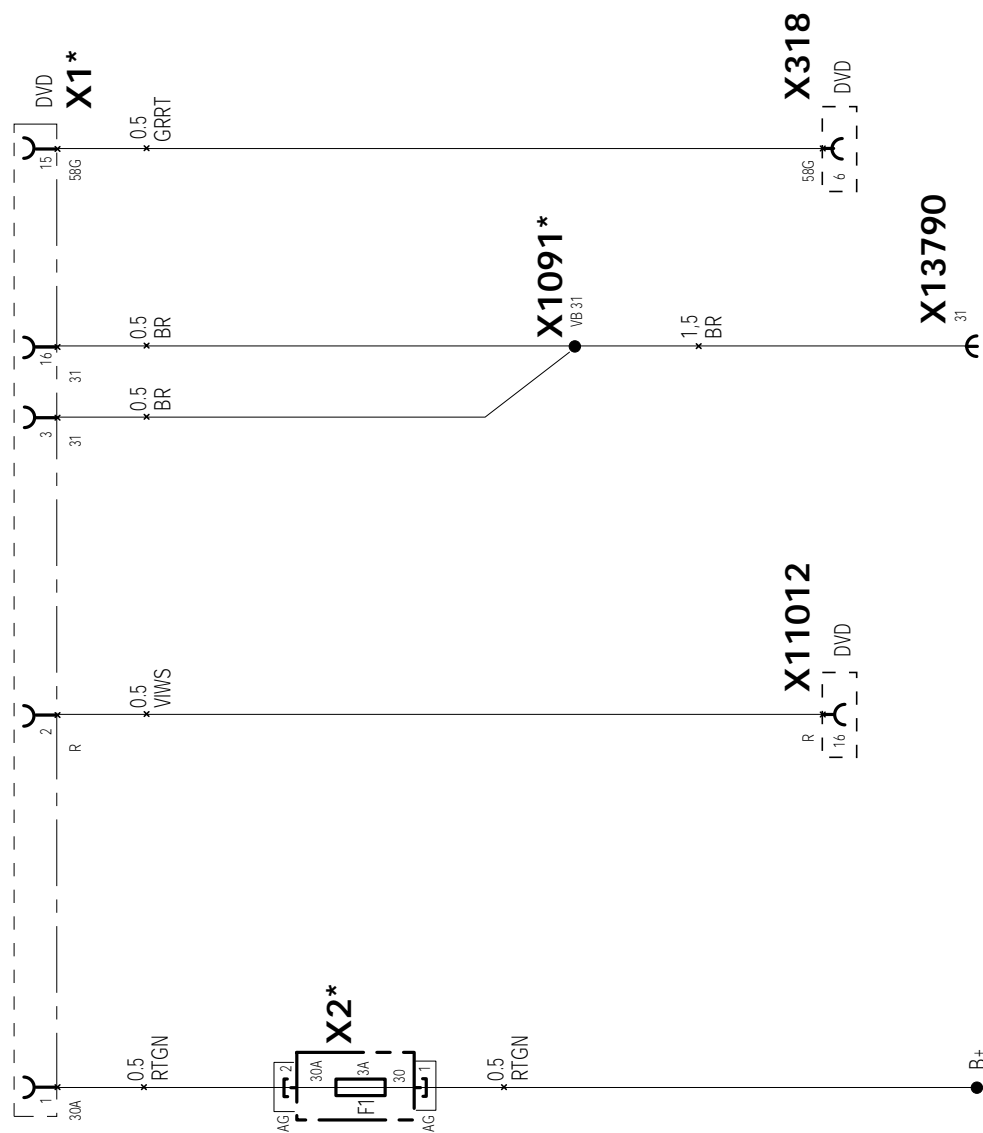
This system does not feature diagnostic capabilities and need not be encoded.

9. Concluding operations

Reconnect battery
Check function of DVD system
Reassemble vehicle in reverse order of removal

10. Schematic Circuit Diagram

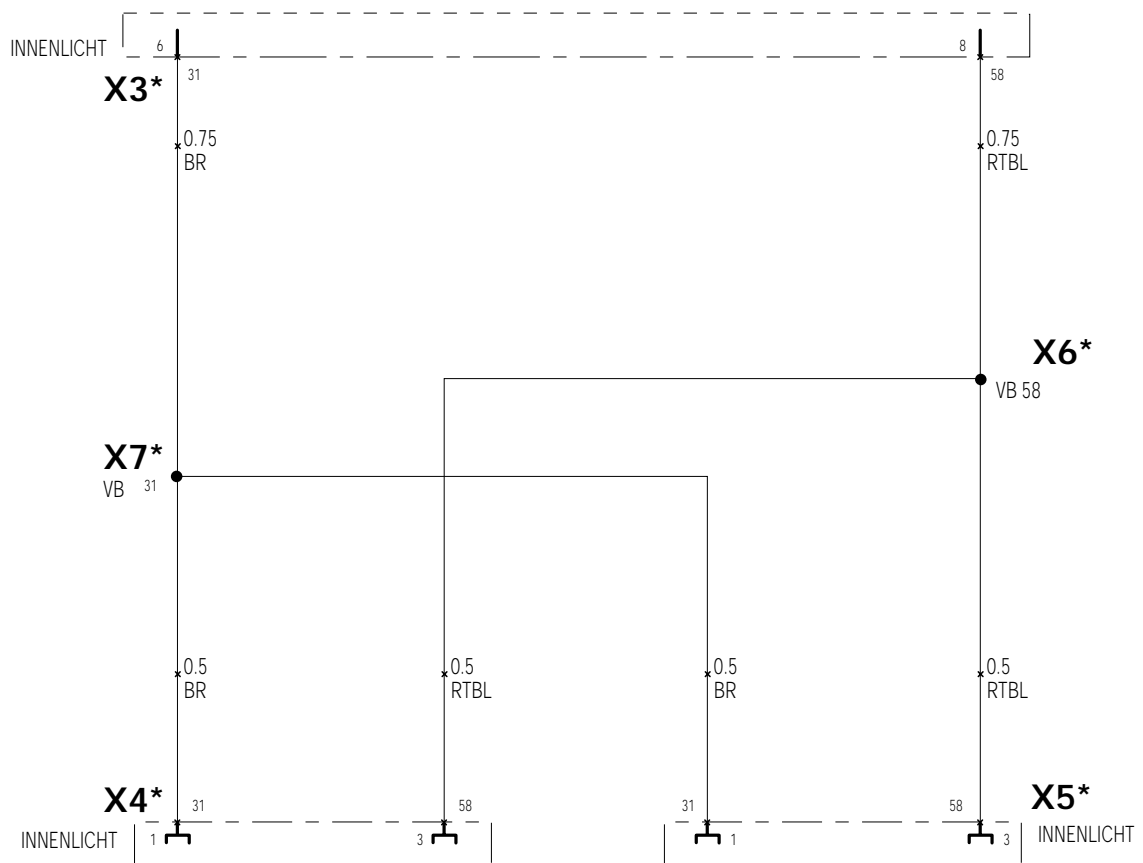
DVD wiring harness A



060 0024 B

11. Schematic Circuit Diagram

Adapter cable for auxiliary lights B



060 0033 B

11. Schematic Circuit Diagram

Key

DVD wiring harness A

B+	Battery terminal +
X1*	Connector DVD system
X1091*	Connector 31
X11012	Fuse holder
X13790	Ground terminal
X2*	Fuse holder
X318	Tail light, right

Adapter cable for auxiliary lights B

X3*	Plug connection, interior light
X4*	Connector, auxiliary light
X5*	Connector, auxiliary light
X6*	Connector 58
X7*	Connector 31

The components marked with * apply to this circuit diagram only. All other components and X-designations correspond to the BMW service schematic circuit diagrams.

Wire colours

BL	Blue
BR	Brown
GE	Yellow
GN	Green
GR	Grey
RT	Red
SW	Black
VI	Violet
WS	White