

21 51 500 Removing and installing or replacing clutch release bearing/lever

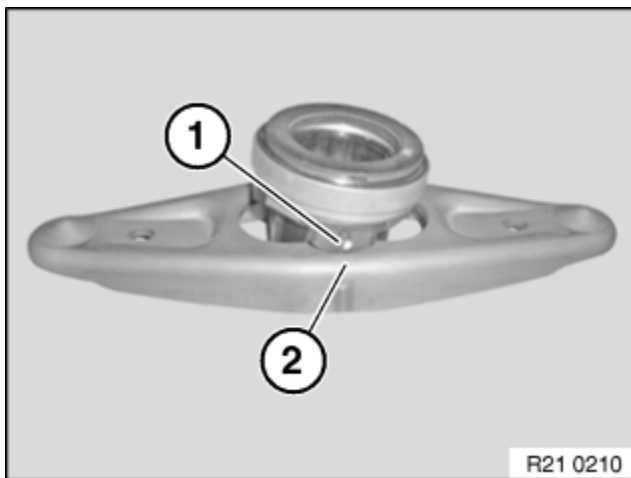
Note:(gearbox removed)



New version (except M models)

Release bearing and release lever have been combined to form a single release module.

If possible, do not disassemble the release module. Otherwise there is a risk of the release module being **incorrectly** reassembled.



Installation note:

Make sure that the correct cam (1) of the release bearing is on the sliding surface (2) of the release lever.

Note:

Do not grease sliding surfaces (2).

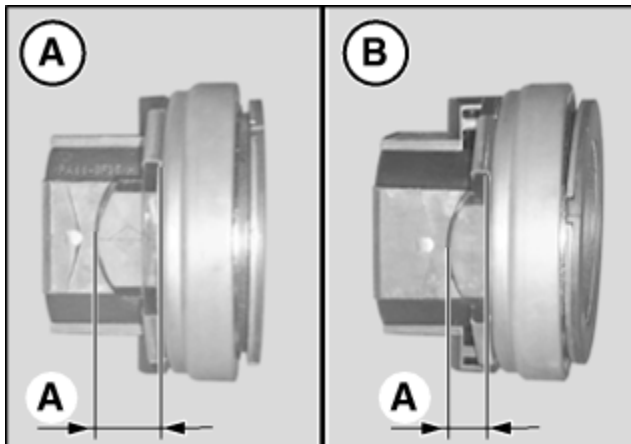
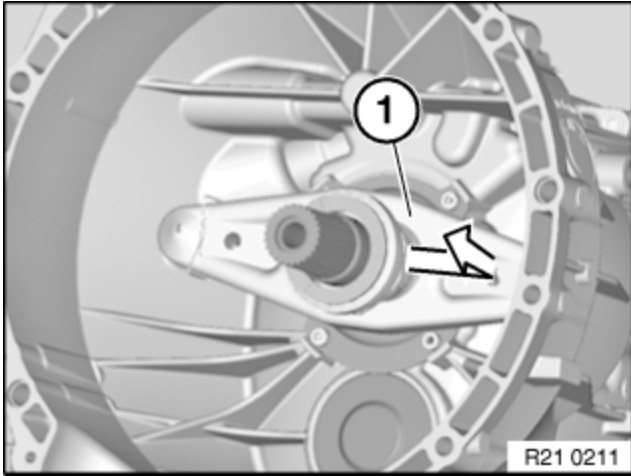


image A: Cam (1) of release bearing (**A=12 mm**) is on sliding surface of release lever.

Type: N43, N45, N46

image B: Cam (1) of release bearing (**A=7 mm**) is on sliding surface of release lever.

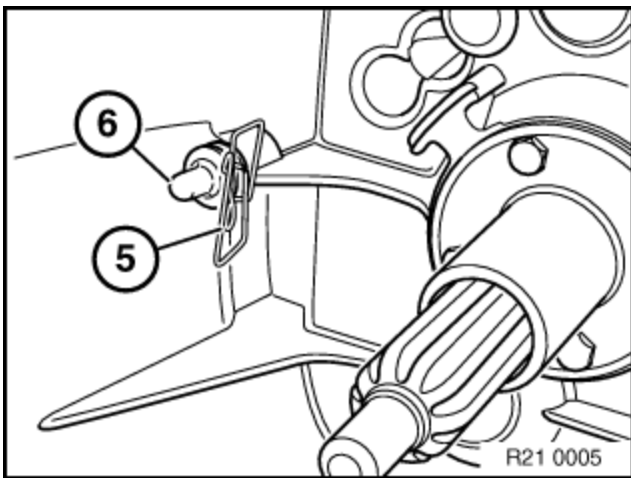
Version for all other engines



Remove release module (1) from spring wire clip.

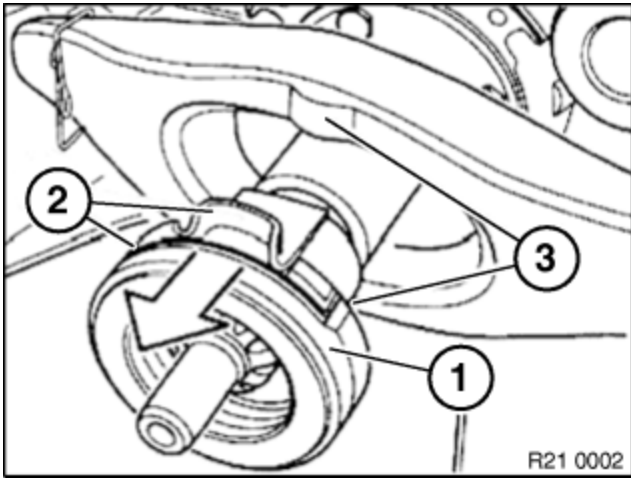
Remove release module.

Note:
Similar to graphic.



Installation note:
Check wire spring clip (5) and ball pin (6) for damage and replace if necessary.

Note:
Similar to graphic.



Previous version

Detach release bearing (1).

Installation note:

Clean all sliding surfaces on clutch release bearing, check for damage and replace if necessary.

Do **not** grease clutch release bearing.

Sliding surfaces (2) of clutch release bearing must rest on sliding surfaces (3) of release lever.

Apply a thin coating of grease to sliding surfaces (2) of release bearing.

[Grease, refer to BMW Service Operating Fluids.](#)

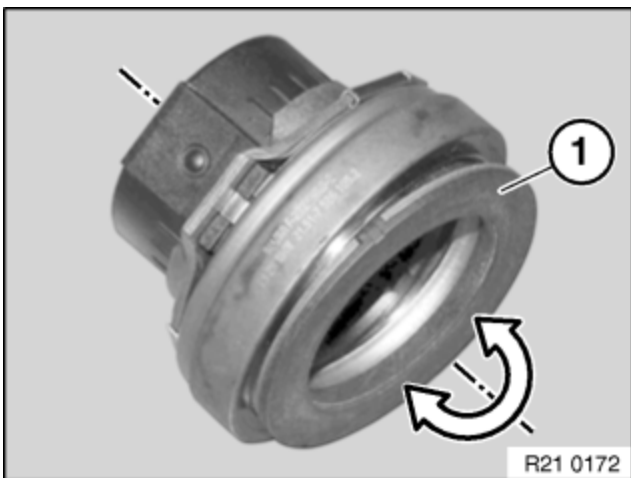
Note:

Graphic similar



Important!

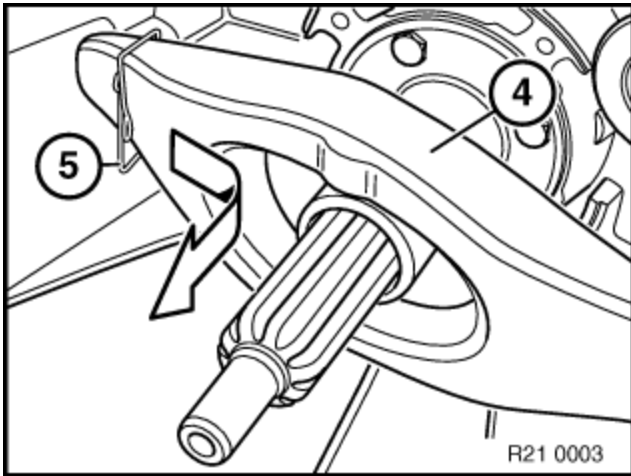
Only on E60/E61M5 and E63/E64 M6 (7-gear SMG transmission) - lightly grease guide sleeve.



Previous clutch release bearing:

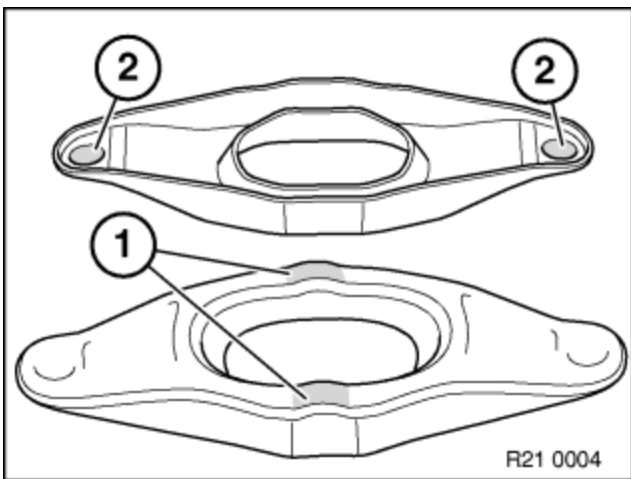
Clutch release bearing with moving thrust washer (1).

Swivel motion of thrust washer (1) possible.



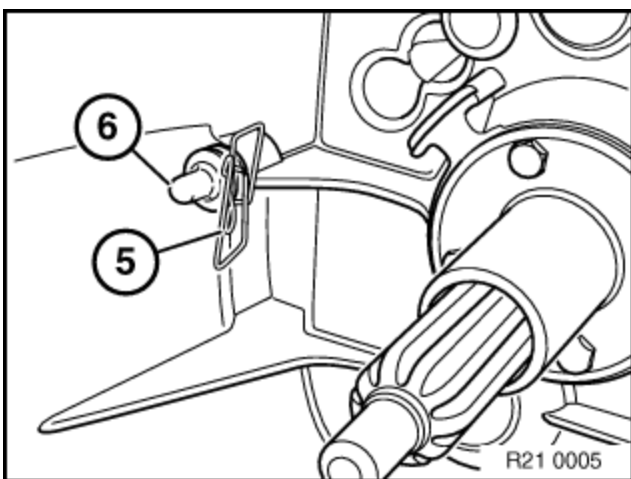
Withdraw release lever (4) from wire spring clip (5) and remove. **Installation note:**
Clean release lever.

Note:
Similar to graphic.



Previous release lever *Installation note:*
Apply a thin coating of grease to release lever at sliding surfaces (1 and 2) only.

[Grease, refer to BMW Service Operating Fluids.](#)



Installation note:

Check spring wire clip (5) and ball pin (6) for damage and replace if necessary.

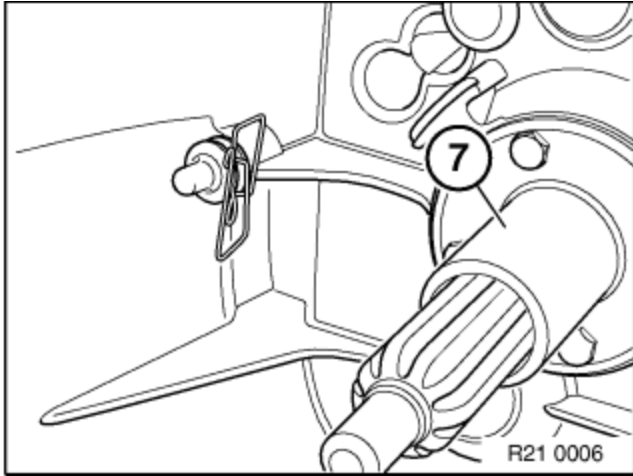
Apply a thin coating of grease to ball pin (6).

[Grease, refer to BMW Service Operating Fluids.](#)

Note:

The wire spring clip and ball pin must always be replaced on the S6S 420G transmission.

Similar to graphic.



Clean guide sleeve (7). *Installation note:* Except for E60/61 M5 and E63/64 M6 (7-gear SMG transmission) - do **not** grease guide sleeve.

If guide sleeve is greased, the release lever can stick on the guide sleeve.

Note:
Similar to graphic.

For informational purposes only. The information on this website is provided AS-IS with no warranties, express or implied, and is not guaranteed to be error-free, up-to-date or complete. NewTIS and BMW assume no liability for any loss or damage arising from the use or reliance on the information and content on this website. The content on this website is subject to change without notice.