



SI B 41 02 04  
Body Equipment

October 2004  
Technical Service

## Advance Information

### SUBJECT

**Trunk Lid Opens Too Fast/Slow**

### MODEL

E60 (5 Series)

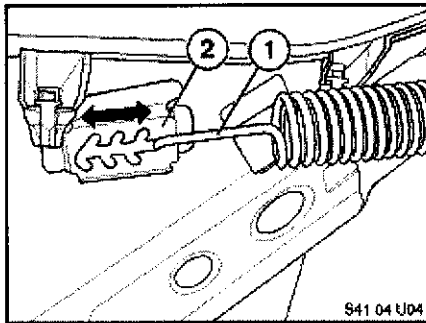
### SITUATION

Customers may complain that the trunk lid opens too fast or too slow.

### CAUSE

The default position for the trunk lid spring tension may not be to the customer's liking.

### PROCEDURE



Remove left side trunk trim panel by following Repair Instructions 51 47 210.

Adjust trunk lid spring (1) toward the front of the adjustment block (2) to reduce the trunk lid opening speed.

Adjust trunk lid spring (1) toward the rear of the adjustment block (2) to increase the trunk lid opening speed.

### WARRANTY INFORMATION

For information only.

[ Copyright © 2004 BMW of North America, LLC ]

078182