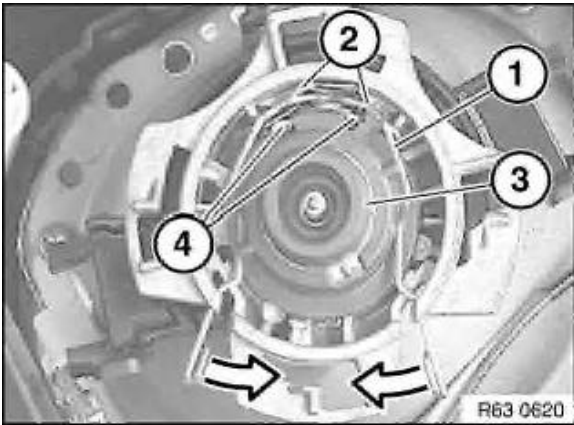


**Warning!**

Follow instructions for handling light bulbs (exterior lights).

*Necessary preliminary tasks:*

- Removing ignition unit for left xenon headlight



Unlock retaining ring (1).

Installation:

Retaining ring (1) must be located under holder (2).

Remove bulb for xenon headlight (3).

Installation:

Insert bulb for xenon headlight (3) exactly into locators (4).

Note bulb type.

**Warning!**

Xenon headlights: Danger to life due to high voltage!

Work on the entire xenon lighting system (ignition unit, control unit and lamp) may only be carried out by specialist personnel.

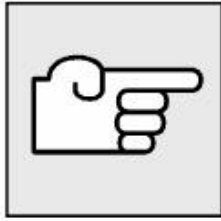
**Warning!**

Halogen lamps are under pressure:

To avoid injury, wear protective goggles and gloves.

**Important!**

To prevent short-circuiting, disconnect light bulbs from voltage supply prior to replacement.



Do not touch the glass bulbs in new lights bulbs as even the slightest contamination will burn in and reduce bulb service life.

Only touch light bulbs with clean gloves or a clean cloth.

Do not expose light bulbs to mechanical vibrations.

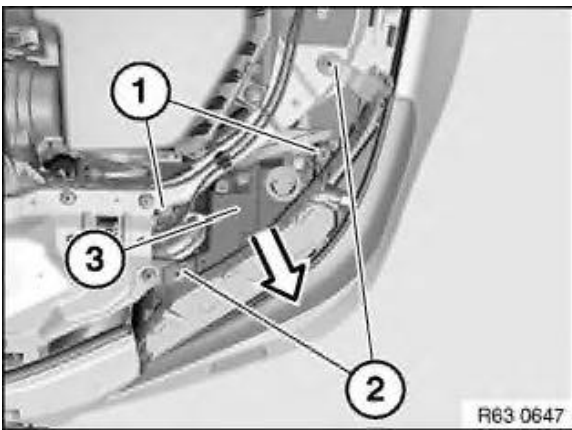
Use only recommended light bulbs.

Follow the light bulb manufacturer's instructions without fail.

**Warning!**

Version with xenon headlights: Danger to life due to high voltage!
Therefore disconnect all components from voltage supply before removal.

Work on the entire xenon lighting system (ignition unit, control unit and lamp) may only be carried out by specialist personnel.



Slacken screws (1)

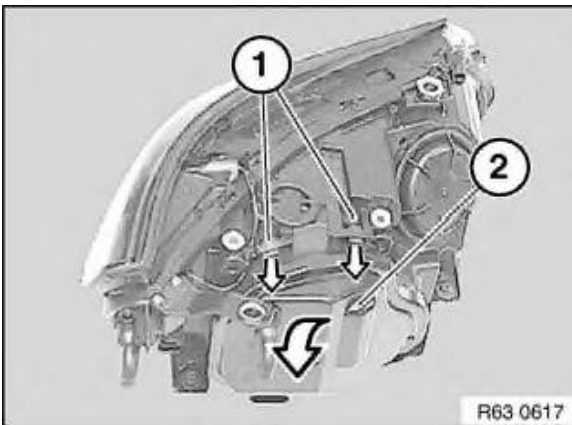
Release screws (2).

Pull out headlight (3) slightly in direction of arrow.

Installation:

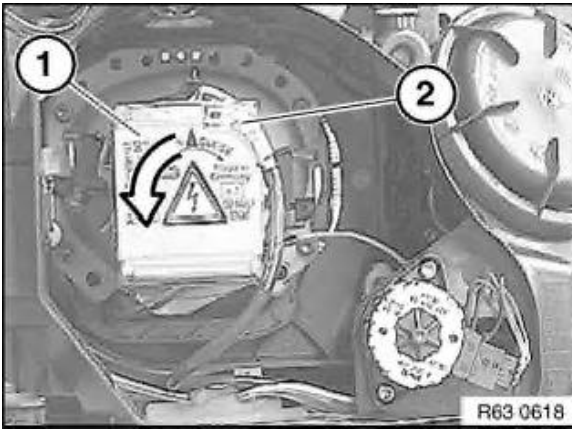
Make sure headlight (3) is correctly seated in lower holder.

- Adjust gap dimensions
- Adjust headlights

*Note:*

Headlight shown removed for purposes of clarity.

Unlock catches (1) and remove cap (2) in direction of arrow.



Build date up to 02/05:

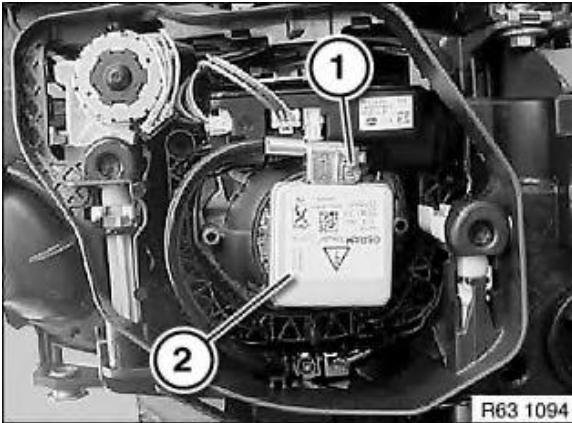
Turn ignition unit for xenon headlight (1) approx. 30 ° counterclockwise and detach.

Plug connection (2) is automatically released by turning ignition unit for xenon headlight (2).

Lay plug connection (2) to one side.

Installation:

Make sure ignition unit is correctly engaged.



Build date from 02/05:

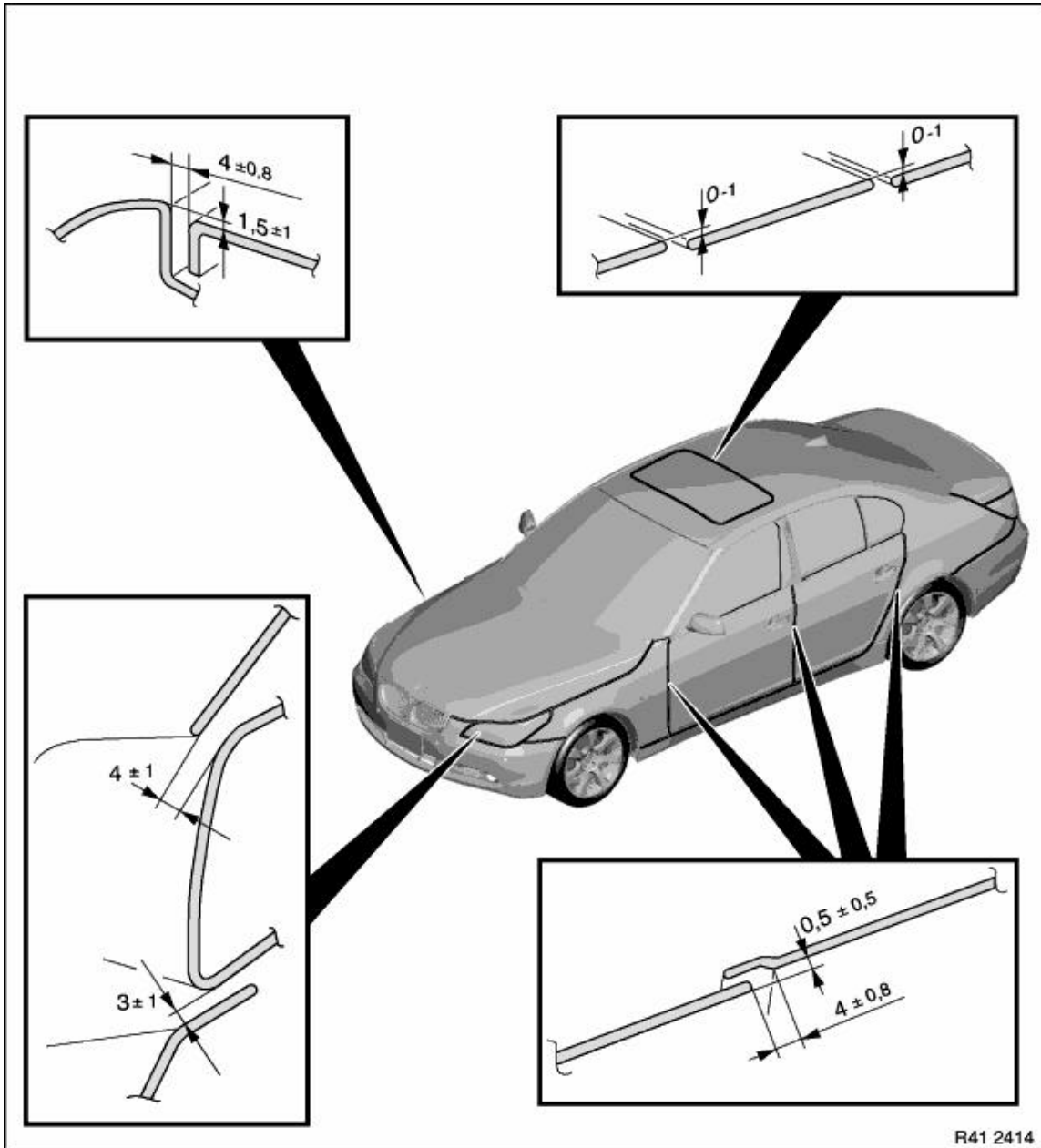
Disconnect plug connection (1).

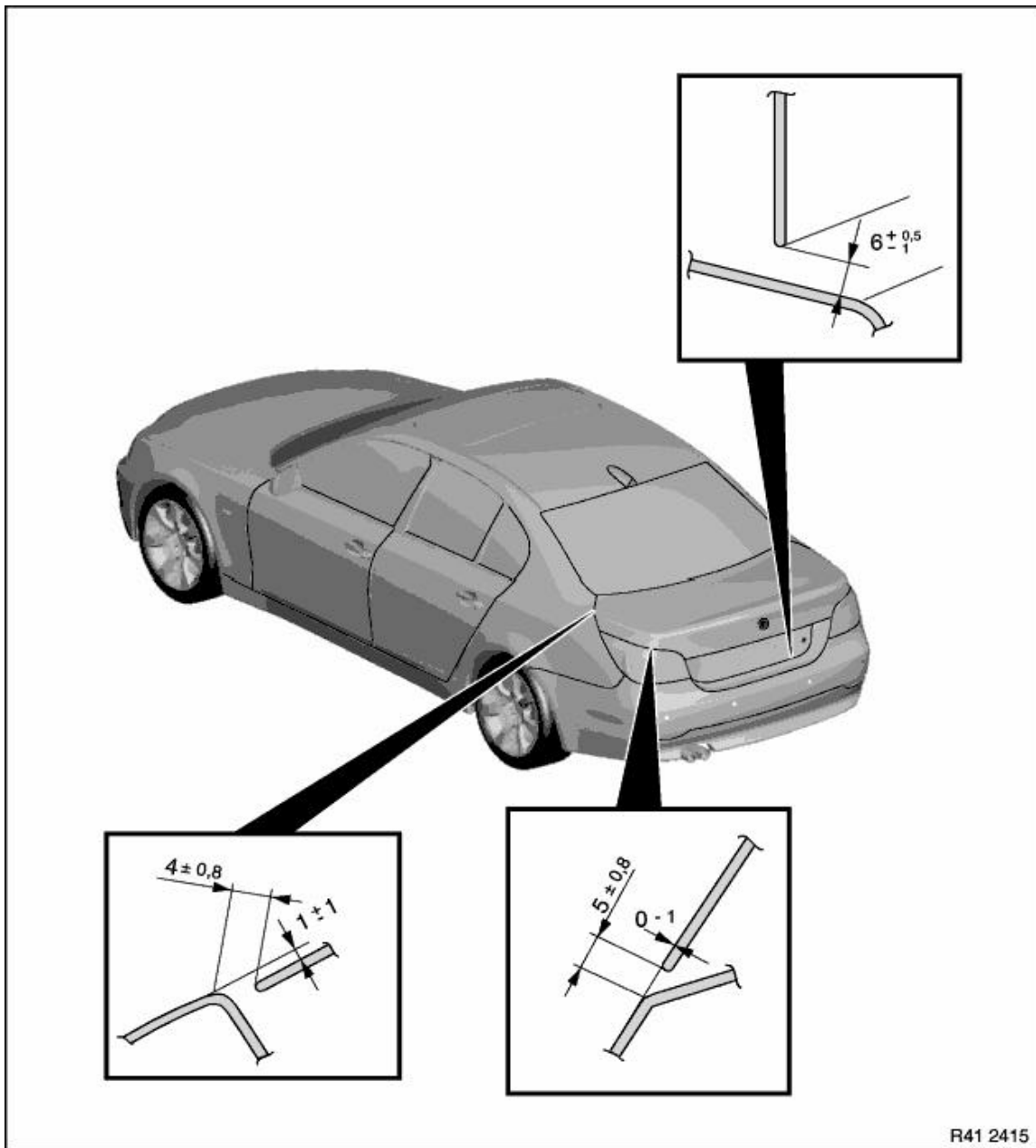
Turn ignition unit for xenon headlight (2) approx. 30 ° counterclockwise and detach.

Replacement:

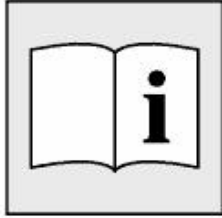
Remove xenon headlight bulb holder.

Dimensions in mm



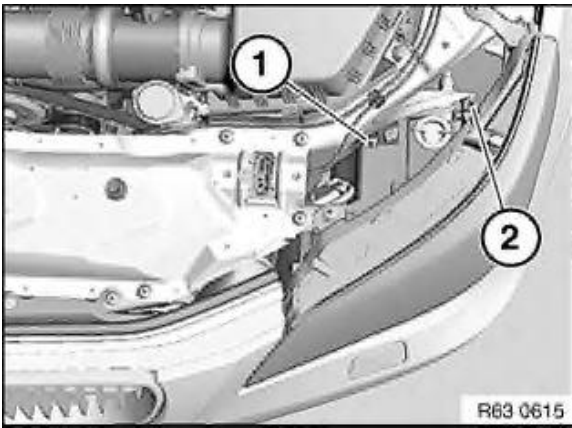


R41 2415



Note:

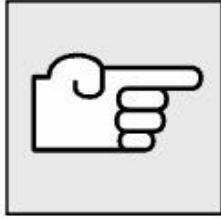
Comply with test preconditions for headlight adjustment.



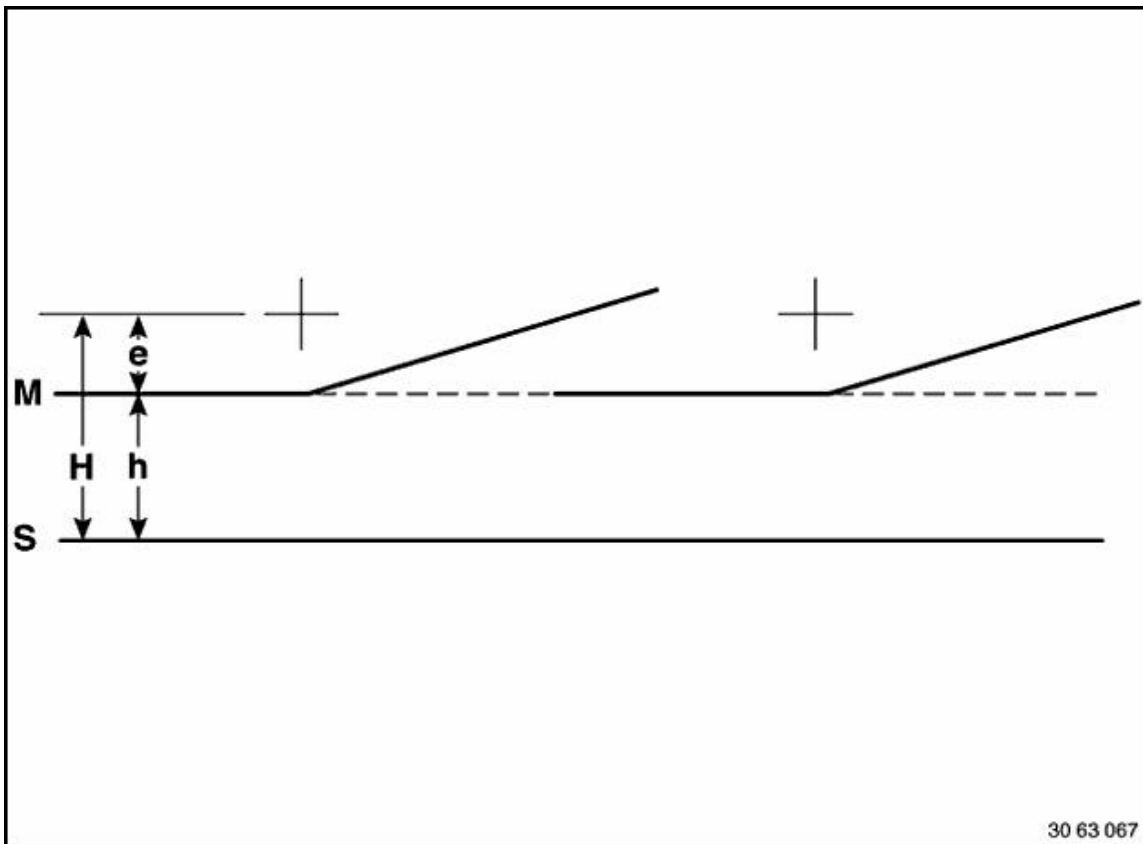
Adjust headlights at adjusting screws (1) and (2).

A definite allocation of adjusting screws is not possible.

1. Adjustment screw primarily for vertical adjustment
2. Adjustment screw primarily for lateral adjustment



- Car parked on level ground.
- Replace faulty glass and mirrors and blackened light bulbs.
- Check tyre pressure and correct if necessary.
- Apply load equivalent to one person on driver's seat (approx. 75 kg).
- Vehicle with full fuel tank or appropriate additional weight in luggage compartment.
- Correct adjustment of headlights in relation to engine hood (gap dimensions).
- Manual headlight vertical aim control: Turn handwheel to 0 position.
- Automatic headlight vertical aim control: Wait approx. 30 seconds after switching on lights.
- Version with xenon headlights: Wait 80 seconds after switching on lights. During this time, do not move the vehicle and avoid vibrations.
- Align headlight aimer with vehicle longitudinal axis and parallel to parking surface. Set marking line (M) on aimer to distance (e). Scale graduations on aimer are equal to a gradient in cm at a distance of 10 meters.



30 63 067

Light/dark limit of headlights in headlight aimer

e Adjustment dimension, headlights:

- as per type plate on headlight housing in % (e.g.: 1.0 % = 10 cm / 10 m = 10 on headlight aimer).

Adjustment dimension, fog lights:

- all vehicles 2.0 % = 20 cm / 10 m = 20 on headlight aimer.

H Height of center of headlight above parking surface.

h H - e = height of marking line above parking surface

+ Central mark = center point of high-beam headlight.

M Marking line of headlamp aimer

S Parking surface of vehicle and headlight aimer

Adjustment dimension (e) is only valid for EUR. Observe differing national regulations.