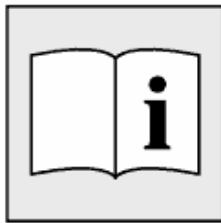
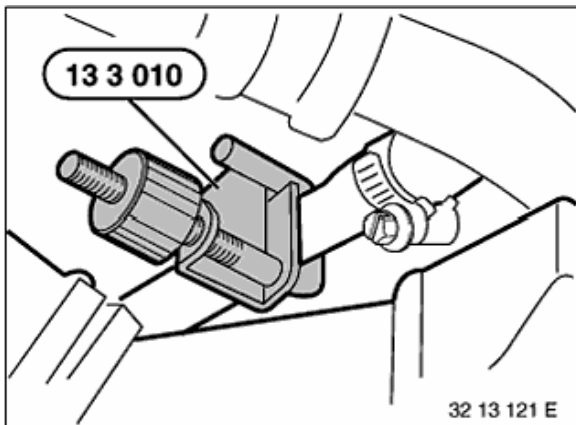
**Special tools required:**

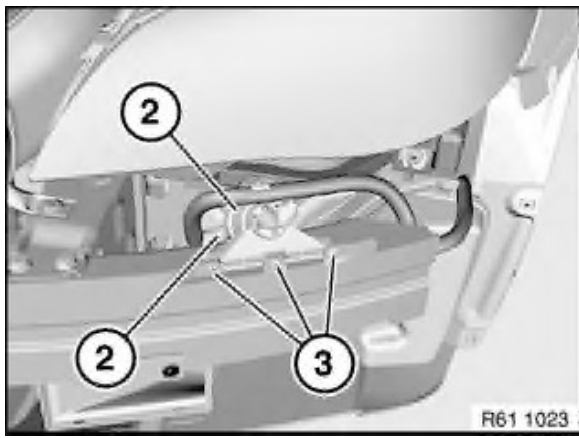
- 13 3 010

*Necessary preliminary tasks:*

- Remove front bumper trim



To prevent excessive escape of washer fluid, seal off end of high-pressure line with special tool 13 3 010 .



Unlock high-pressure line (1) and detach from high-pressure nozzle (2).

Release screws (3).

Remove high-pressure nozzle (2).

Installation:

New spray nozzles are already preset.

Carry out a function test before fitting bumper trim.