



This Service Information bulletin supersedes S.I. B51 02 05 **dated December 2006.**

NEW designates changes to this revision

SUBJECT

Squeaking Noise From Door Frame Area While Driving

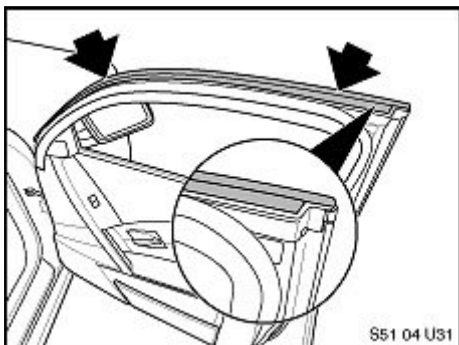
MODEL

E60, E61 (5 Series)

SITUATION

Some customers may complain of hearing squeaking or creaking noises coming from the door frame area when driving on rough roads.

CAUSE



Movement between the flocking material (felt-like material indicated by the arrows) on the upper door seal and the surrounding roof panel may produce squeaking or creaking noises. These noises may be amplified by contamination or cleaner residue on the door opening.

CORRECTION

In case of a customer complaint, refer to the procedure outlined below to replace the seals with improved parts and/or apply the specified transparent Teflon tape.

The flocking material was changed in 01/2005 to an improved material with exceptional rigidity, strength, and low moisture absorption.

The new and improved parts may not have any unique identifying stamps or markings. Therefore, the production date should be used to identify the new seals.

Updated seals will have a date stamp on the back of the part reading later than January 3, 2005 (3.1.2005).

PROCEDURE

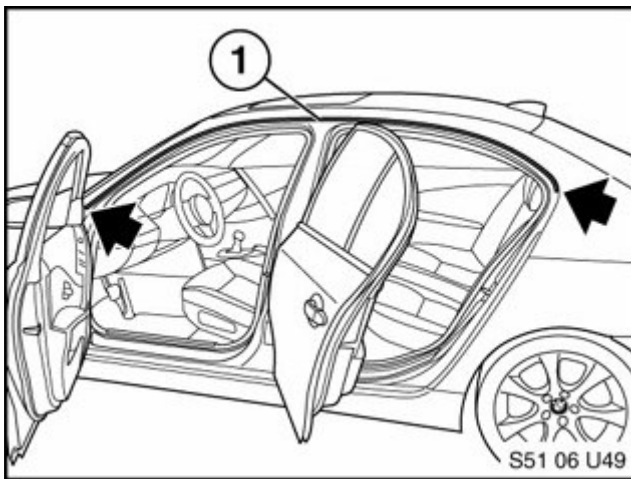
Depending on the status of the vehicle, perform the applicable procedure described below.

- A. Vehicles produced up to 01/2005, first complaint:
 - Replace all 4 upper door seals with the improved parts.

- Follow Repair Instruction RA 51 21 360 to replace the front upper door seals.
- Follow Repair Instruction RA 51 22 360 to replace the rear upper door seals.
- Thoroughly clean the upper door seal's mating surface on the body of the vehicle with a silicone remover such as 3M General Purpose Adhesive Cleaner or Wurth Silicone Remover.
- Do not apply "Carbaflo" on these door seals.

B. Vehicles produced from 01/2005, and vehicles that have previously had the improved seals installed.

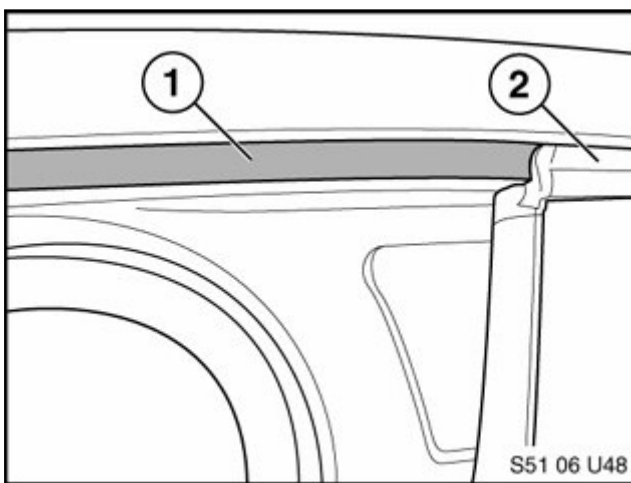
- Thoroughly clean the upper door seal's flocking material, as well as the mating surface on the body of the vehicle with a silicone remover such as 3M General Purpose Adhesive Cleaner or Wurth Silicone Remover.



Apply a continuous length of Teflon tape

(PN 9 407 798) to the contact area of the flocking material (1) on the body of the vehicle.

The area where the tape should be applied to spans from the middle of the a-pillar to the rear-most point on the rear door opening as indicated by the arrows.



Notes:

The tape should be applied slowly and very carefully to avoid trapping air bubbles under the tape.

To eliminate visibility of the tape when the door is closed and ensure proper contact with the flocking surface, the upper edge of the tape (1) should line up evenly with the top of the door seal (2) for the entire length of the applied area.

The tape should be applied in its full width (16mm), not be cut down to a narrower width.

C. Vehicles produced up to 01/2005, which are in for a repeat complaint, and have the original seals installed

- Replace all 4 upper door seals as per procedure A.
- Apply Teflon tape as per procedure B.

PARTS INFORMATION

Part Number	Description	Quantity
51 21 7 057 507	Left front door seal	1
51 21 7 057 508	Right front door seal	1
51 22 7 057 509	Left rear door seal	1
51 22 7 057 510	Right rear door seal	1
83 19 9 407 798	Teflon adhesive tape	1

3M General Purpose Adhesive Cleaner may be used for this procedure.

For more information on this product, please visit www.3M.com.

Würth Silicone Remover may also be used for this procedure.

For more information on this product, please visit www.wurthusa.com.

WARRANTY INFORMATION

Covered under the terms of the BMW New Vehicle Limited Warranty.

Defect Code	Refer to KSD	
Labor Operation:	Refer to KSD	
Labor Allowance:	Refer to KSD	
NEW Labor Operation:	51 99 00	Work time to prepare surface and install Teflon tape
NEW Labor Allowance:	3 FRU	

A reimbursement of up to \$47 may be charged to sublet code 4 for Teflon tape required to perform the repair noted above.