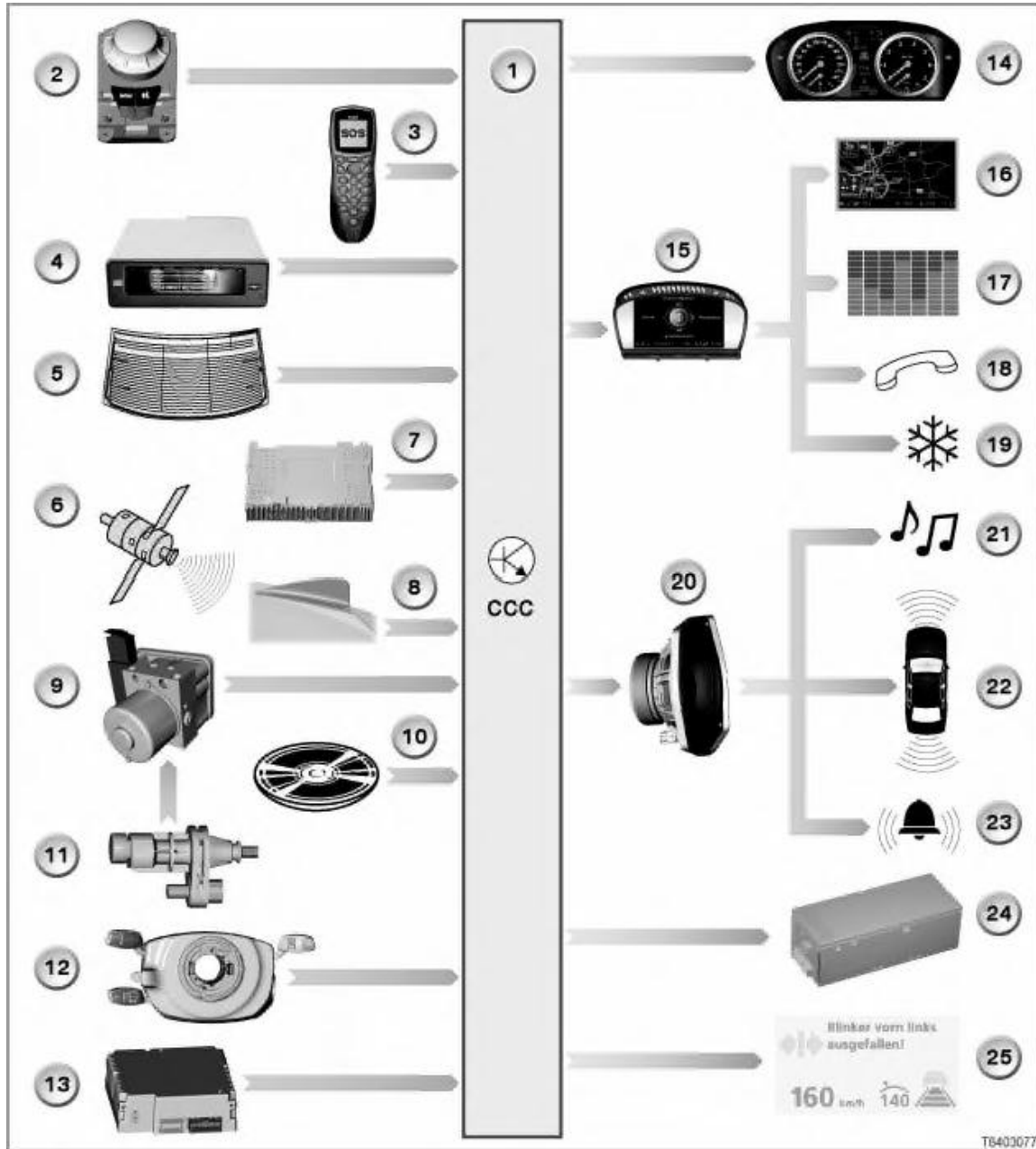


E60 - Car Communication Computer (CCC) system overview

For technical reasons, the system overview is divided up as follows:

- CCC inputs/outputs
- CCC system circuit diagram
- DVD navigation system Professional inputs/outputs
- Voice recognition system inputs/outputs
- TV function inputs/outputs
- Arrangement of printed circuits

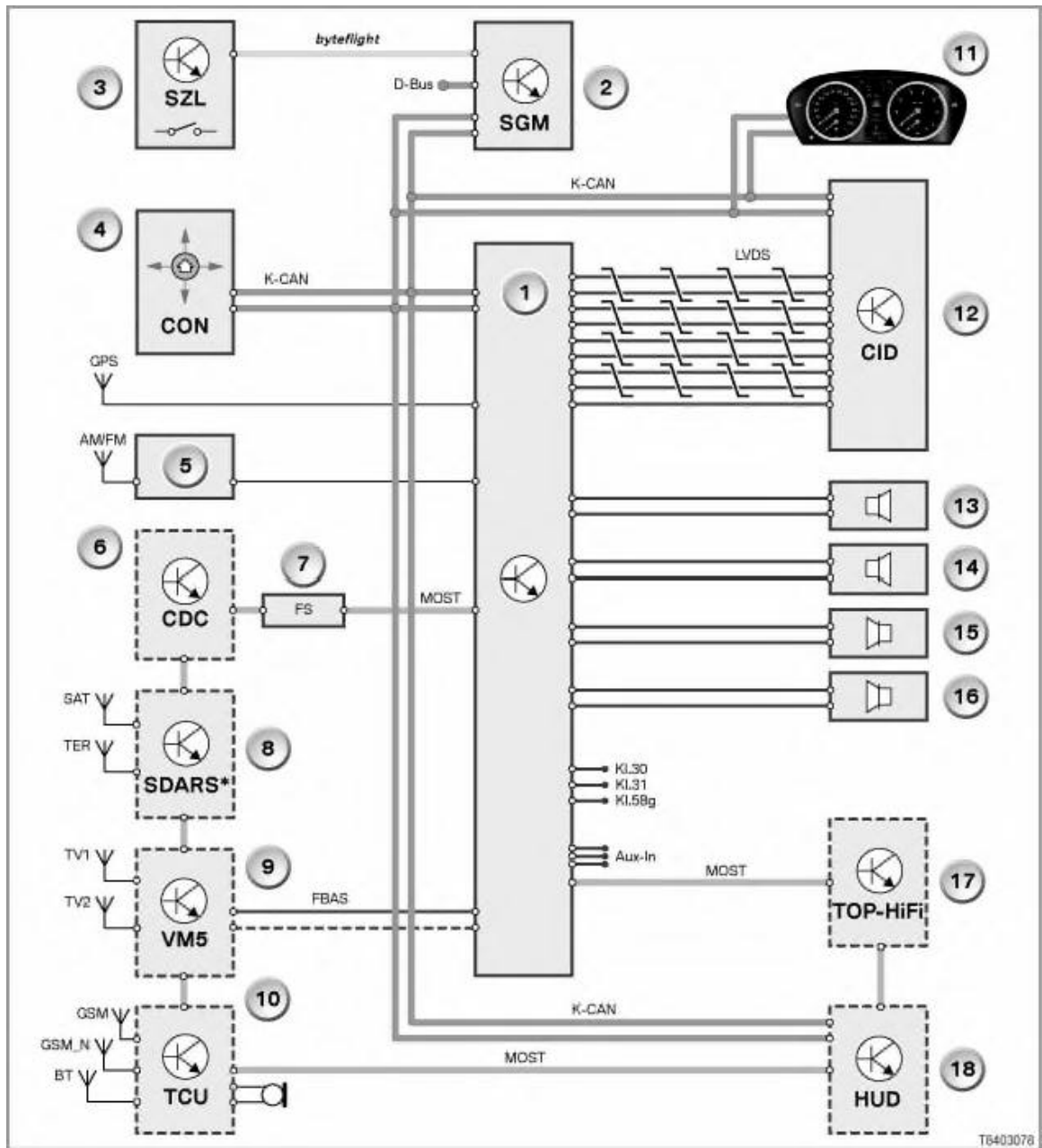
- CCC inputs/outputs



Key	Explanation	Key	Explanation
1	Car Communication Computer (CCC)	2	Controller in the centre console

3	Telephone (option 638 "Car phone Professional")	4	CD changer (option 672 "6-disc CD changer in glove box")
5	Aerials (in the rear window)	6	GPS satellites
7	Satellite Digital Audio Radio System (only US version)	8	GPS aerial
9	Dynamic Stability Control (DSC)	10	DVD for the navigation system
11	Wheel speed sensor	12	Steering column switch cluster (SZL)
13	Video module 5 (option 601 "TV and video function")	14	Instrument cluster (for the Check-Control messages)
15	Central Information Display (CID)	16	Navigation
17	Entertainment	18	Communication
19	Climate (for control of the integrated automatic heating/air-conditioning system)	20	Loudspeakers for audio output
21	Audio operation	22	Park distance control (PDC, option 508 "Park Distance Control")
23	Audible notes (jingles) e.g. output of gongs	24	Top-HiFi amplifier (option 677 "HiFi System Professional with Logic 7 signal processing")
25	Head-up display (HUD, option 610 "Head-up display")		

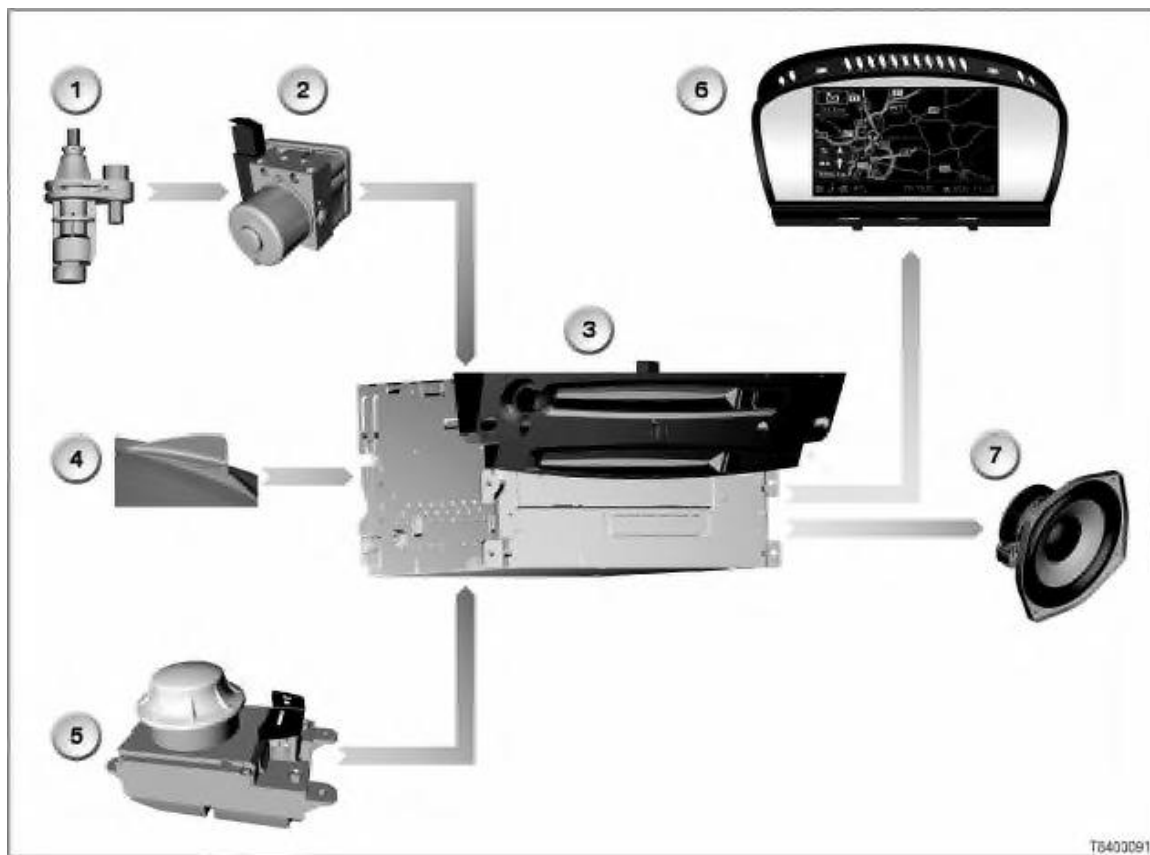
- CCC system circuit diagram



Key	Explanation	Key	Explanation
1	Car Communication Computer (CCC)	2	Safety and gateway module (SGM)
3	Steering column switch cluster (SZL)	4	Controller in the centre console
5	Aerial diversity	6	CD changer (option 672 "6-disc CD changer in glove box")
7	Flash connector	8	Satellite Digital Audio Radio Service SDARS (only US version)
9	Video module 5 (option 601 "TV and video function")	10	Telematic control unit (TCU, option 638 "Car phone Professional")
11	Instrument cluster for the Check-Control messages	12	Central Information Display (CID)
13	Front left loudspeaker (only if no Top-HiFi amplifier is fitted)	14	Rear left loudspeaker (only if no Top-HiFi amplifier is fitted)

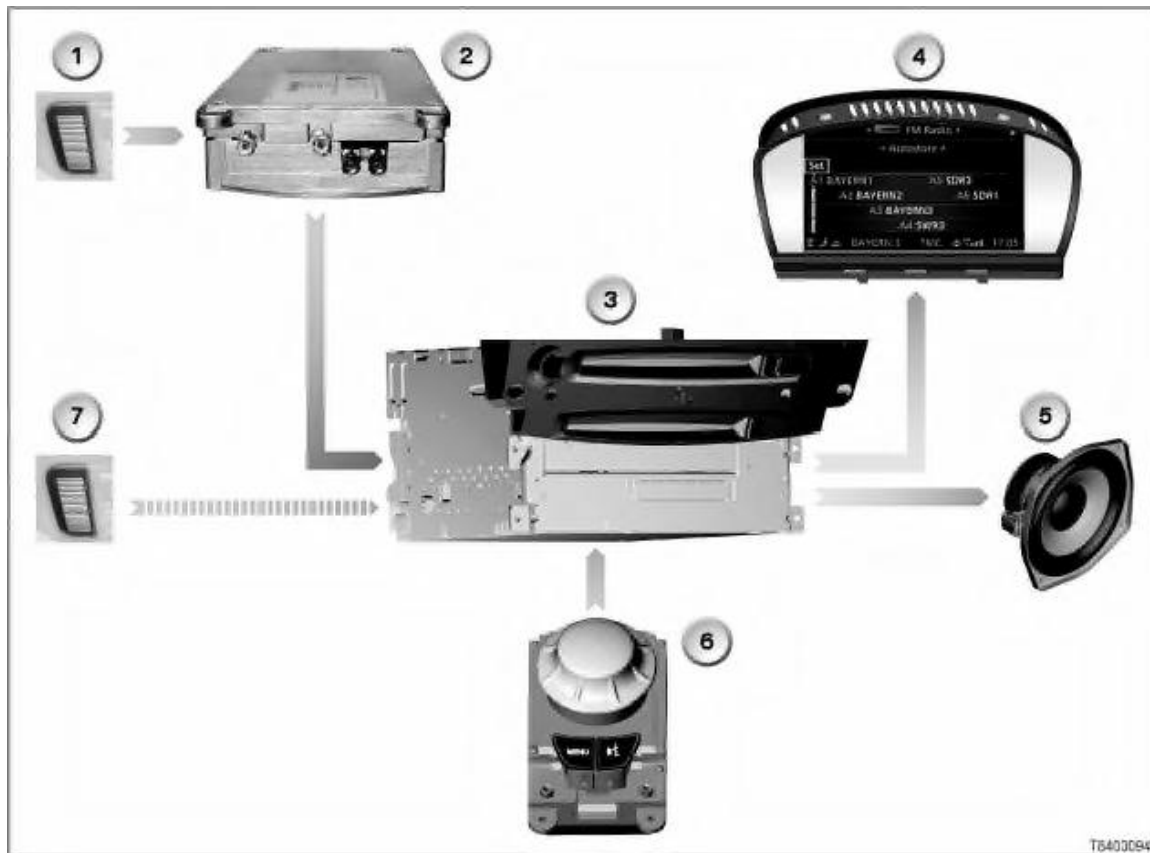
15	Front right loudspeaker (only if no Top-HiFi amplifier is fitted)	16	Rear right loudspeaker (only if no Top-HiFi amplifier is fitted)
17	Top-HiFi amplifier (option 677 "HiFi System Professional with Logic 7 signal processing")	18	Head-up display (HUD, option 610 "Head-up display")
AM/FM	Radio aerial	AUX	Auxiliary audio input
BT	Bluetooth antenna	D-Bus	Diagnosis bus
FBAS	Colour image blanking synchronisation signal	GPS	Global Positioning System
GSM	Telephone aerial	GSM_N	Emergency antenna
K-CAN	Body CAN	Kl. 30	Terminal 30, power supply
Kl. 31	Terminal 31, earth	Kl. 58g	Instrument lighting
LVDS	Low Voltage Differential Signalling	MOST	Media Oriented System Transport
SAT	Aerial for satellite reception	TER	Aerial for terrestrial reception
TV1	TV aerial 1	TV2	TV aerial 2

- DVD navigation system Professional inputs/outputs



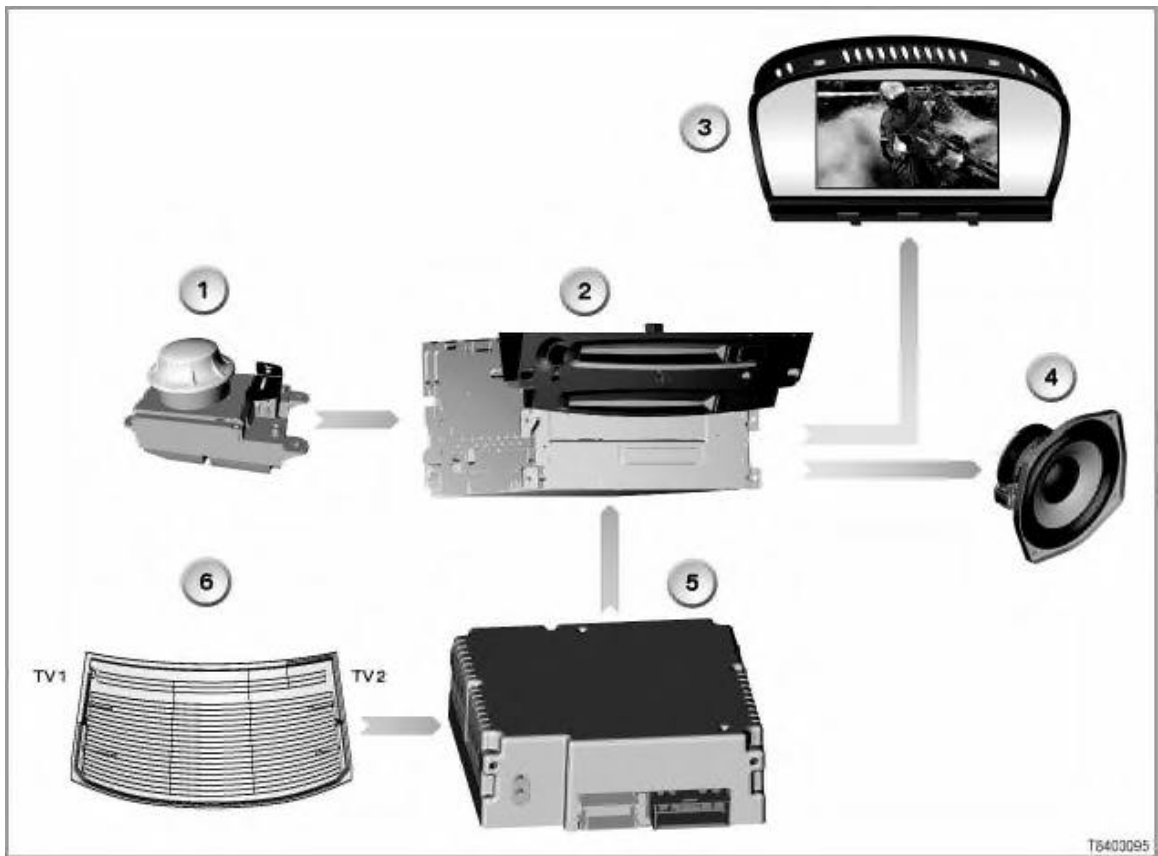
Key	Explanation	Key	Explanation
1	Wheel speed sensor	2	DSC control unit
3	Car Communication Computer (CCC)	4	Telephone and GPS aerial
5	Controller in the centre console	6	Central Information Display (CID)

- Voice recognition system inputs/outputs



Key	Explanation	Key	Explanation
1	Microphone, left, for hands-free mode	2	Telematic control unit (TCU)
3	Microphone, right, for voice commands	4	Car Communication Computer (CCC)
5	Controller	6	Central Information Display (CID)
7	Audio output		

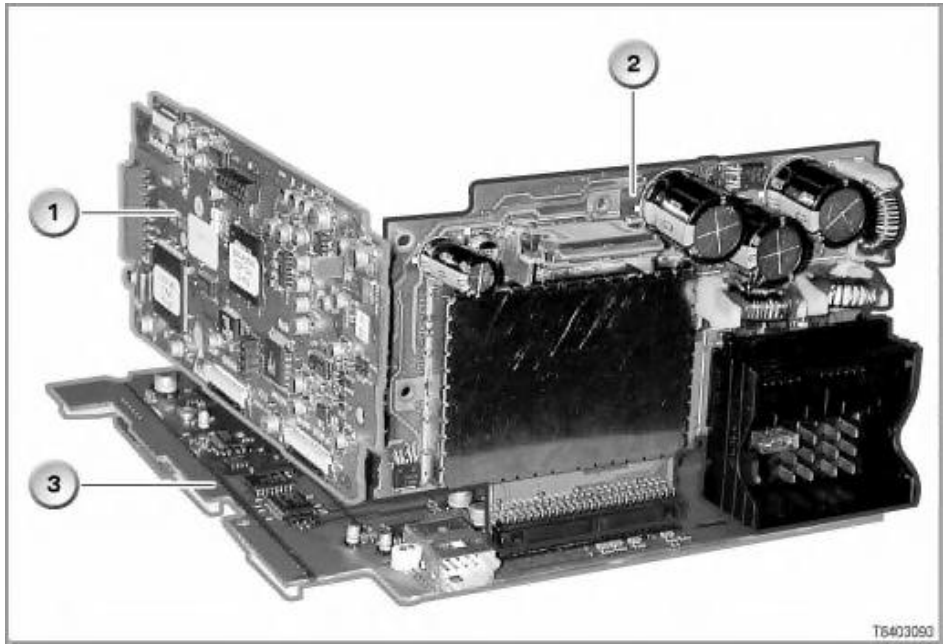
- TV function inputs/outputs



T6403095

Key	Explanation	Key	Explanation
1	Controller in the centre console	2	Car Communication Computer (CCC)
3	Central information display (CID)	4	Loudspeakers for audio output
5	Video module 5 (option 601 "TV and video function")	6	TV aerials TV1 and TV2 with aerial diversity and aerial amplifier

- Arrangement of printed circuits



T6403093

Key	Explanation	Key	Explanation
1	Audio board	2	Power board
3	Motherboard		