

Parts and Accessories. Installation Instructions.



M Aerodynamics Package Conversion BMW 5 Series (E60/E61)

Retrofit kit No.	51 71 0 396 683
	51 71 0 396 684
	51 71 0 396 685
	51 71 0 396 686
	51 71 0 396 831
	51 71 0 396 832
	51 71 0 396 833
	51 71 0 396 834

Installation time

The installation time is 4.5 hours, but this may vary depending on the condition of the car and the equipment in it.

Important information

These installation instructions are primarily designed for use within the BMW dealership organisation and by authorised BMW service companies.

In any event the target group for these installation instructions is specialist personnel trained on BMW cars with the appropriate specialist knowledge.

All work must be completed using the latest BMW repair manuals, circuit diagrams, servicing manuals and work instructions in a rational order using the prescribed tools (special tools) and observing current health and safety regulations.

To avoid unnecessary extra work and/or costs, if any installation or function problems occur, after a brief troubleshooting session (approx. 0.5 hours), an inquiry is to be sent straight away to the technical parts support via the Aftersales Assistance Portal (ASAP), quoting the chassis number, the part number of the retrofit kit and a precise description of the problem.

Do not archive the hard copy of these installation instructions since daily updates are made by ASAP.

See ASAP for details of the pictograms.

Subject to technical modifications.

Installation information

Some of the installation of the aerial is shown only on the left-hand side of the car, proceed in the same way on the right-hand side of the car.

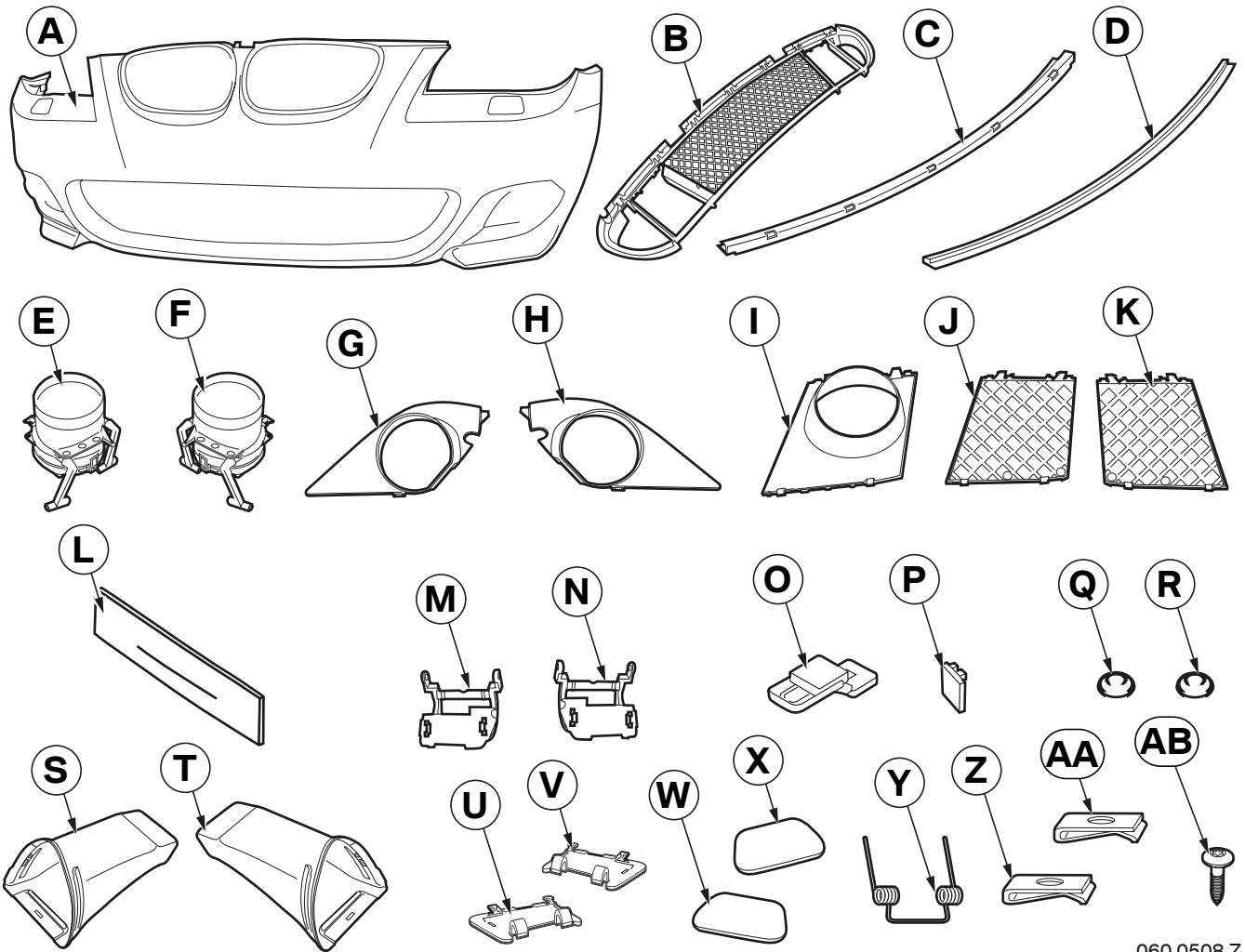
Special tools required

00 9 317, Trim wedge

Contents

Section	Page
1. Front bumper trim parts list	3
2. Rear bumper trim parts list	4
3. Side member and air guide trims parts list	5
4. Preparations	6
5. To install the side member and air guide trims	7
6. To install the front bumper trim	8
7. To install the rear bumper trim	10
8. Concluding work	12

1. Front bumper trim parts list

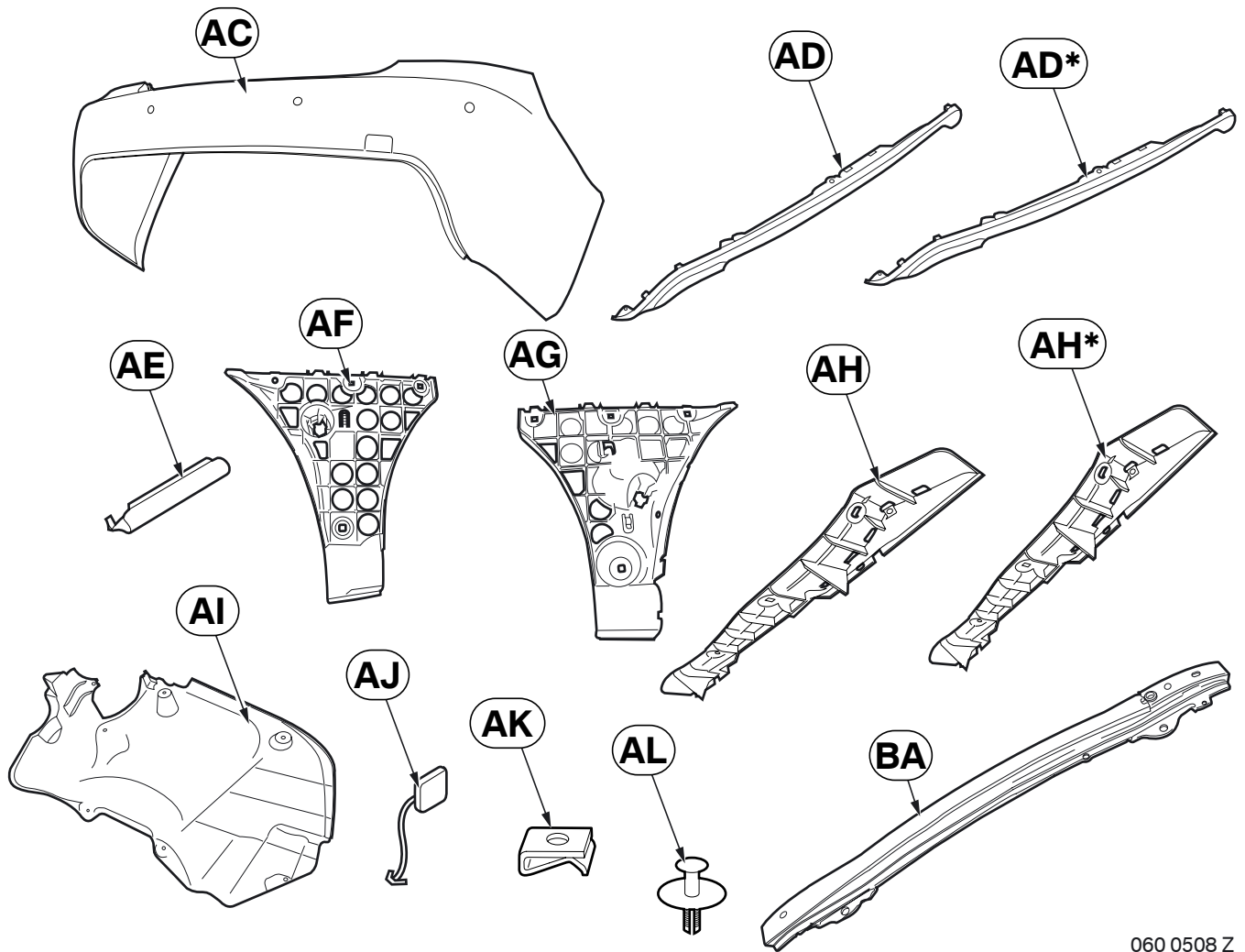


060 0508 Z

Legend

- | | | | |
|---|--|----|--|
| A | Bumper trim | O | Adapter (2x) |
| B | Grille | P | Tow lug cap |
| C | Strip | Q | Blue cover cap (4x) |
| D | Damping lip | R | White cover cap (2x) |
| E | Left fog light | S | Left brake air guide |
| F | Right fog light | T | Right brake air guide |
| G | Left fog light trim | U | Left dummy plug (cars without headlight cleaning system only) |
| H | Right fog light trim | V | Right dummy plug (cars without headlight cleaning system only) |
| I | Right trim (cars with active cruise control only) | W | Left headlight cleaning system flap |
| J | Right trim (cars without active cruise control only) | X | Right headlight cleaning system flap |
| K | Left cover | Y | Spring (2x, cars with headlight cleaning system only) |
| L | Registration plate holder | Z | Speed nut (2x) |
| M | Left lever (cars with headlight cleaning system only) | AA | Speed nut (4x) |
| N | Right lever (cars with headlight cleaning system only) | AB | Fillister head self-tapping screw (5x) |

2. Rear bumper trim parts list

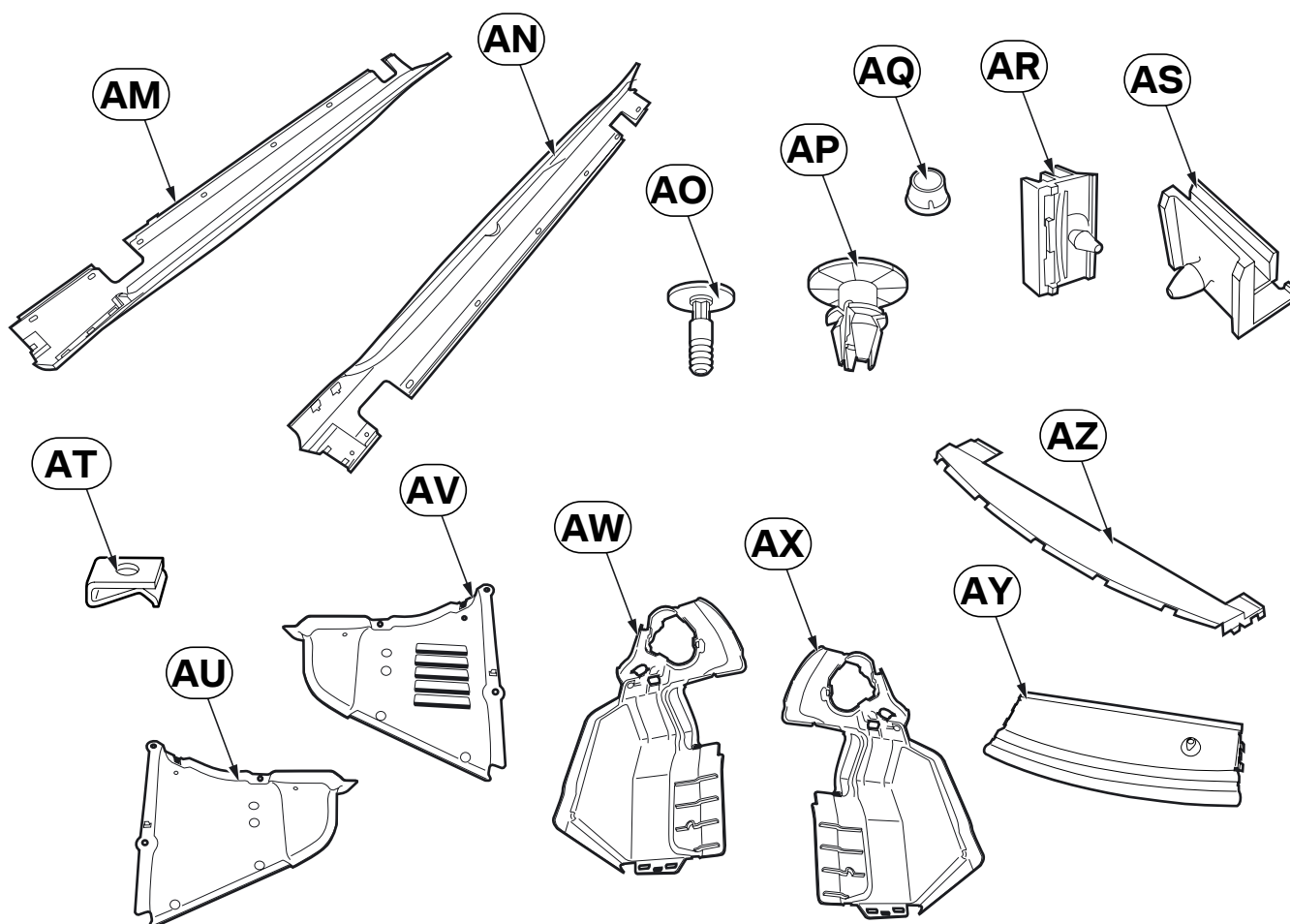


060 0508 Z

Legend

- AC Bumper trim
- AD Diffuser trim (cars with towing hitch only)
- AD* Diffuser trim (cars without towing hitch only)
- AE Towing hitch flap (cars with towing hitch only)
- AF Left holder
- AG Right holder
- AH Middle holder (cars with towing hitch only)
- AH* Middle holder (cars without towing hitch only)
- AI Battery box cover
- AJ Tow lug flap
- AK Speed nut (10x)
- AL Stopper (6x)
- BA Rear bumper trim support (E61 cars only)

3. Side member and air guide trims parts list



060 0512 Z

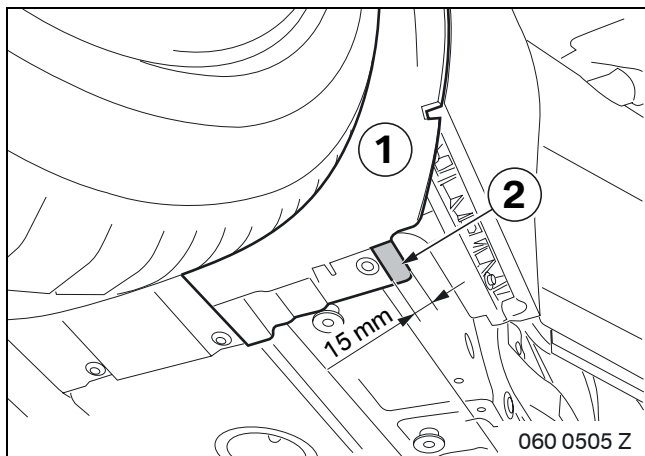
Legend

- AM Left side member trim
- AN Right side member trim
- AO Pin (16x)
- AP Spacer clip (16x)
- AQ Grommet (20x)
- AR Clip (16x)
- AS Clip (4x)
- AT Speed nut (6x)
- AU Front left bottom trim
- AV Front right bottom trim
- AW Left radiator air guide
- AX Right radiator air guide
- AY Middle radiator air guide
- AZ Top air guide

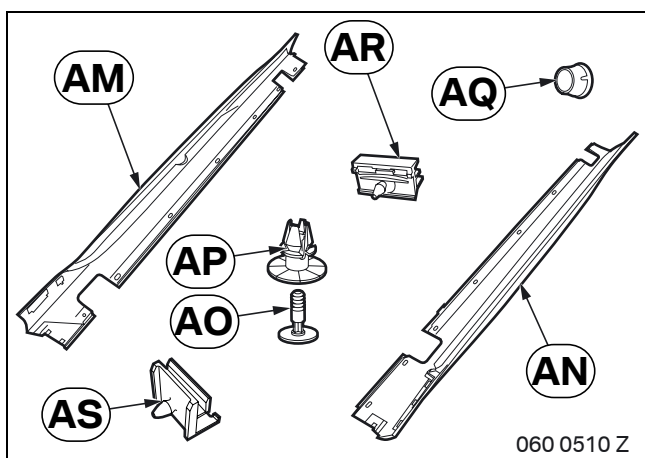
4. Preparations

	TIS No.
Conduct a brief test	---
Disconnect the negative pole of the battery	12 00 ...
The following components must be removed first of all	
Front bumper trim	51 11 156
Rear bumper trim	51 12 156
Rear left and right bumper holder	51 12 801
Rear middle bumper guide	51 12 825
Battery box cover	---
Side member trims on both sides	51 71 447

5. To install the side member and air guide trims

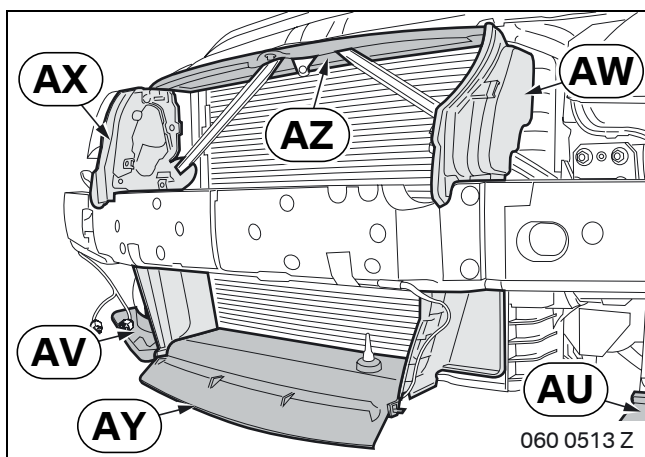


Separate the marked section (2) from the wheelhouse liner (1).



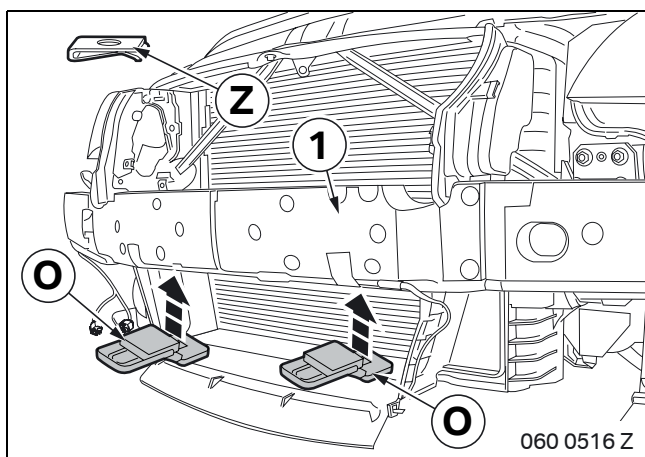
Insert clips **AR** and **AS** into side member trims **AM** and **AN**.

Fit side member trims **AM** and **AN** on the car using spacer clips **AP**, pins **AO** and grommets **AQ** (see TIS RA: 51 71 447).



Replace air guides on the radiator by parts **AW**, **AX**, **AY** and **AZ**.

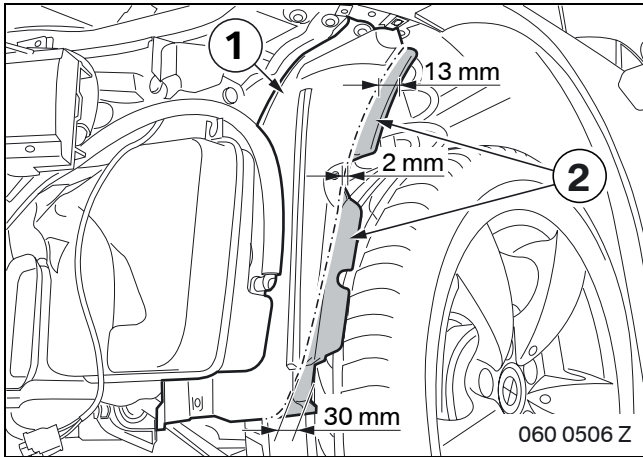
Replace front bottom trims by parts **AU** and **AV**.



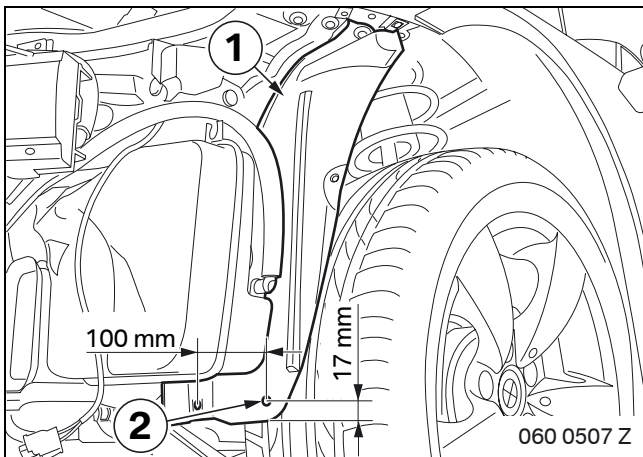
Screw adapter **O** onto the middle two attachment points of the bumper trim on the bumper support (1).

Push speed nuts **Z** onto adapter **O**.

6. To install the front bumper trim

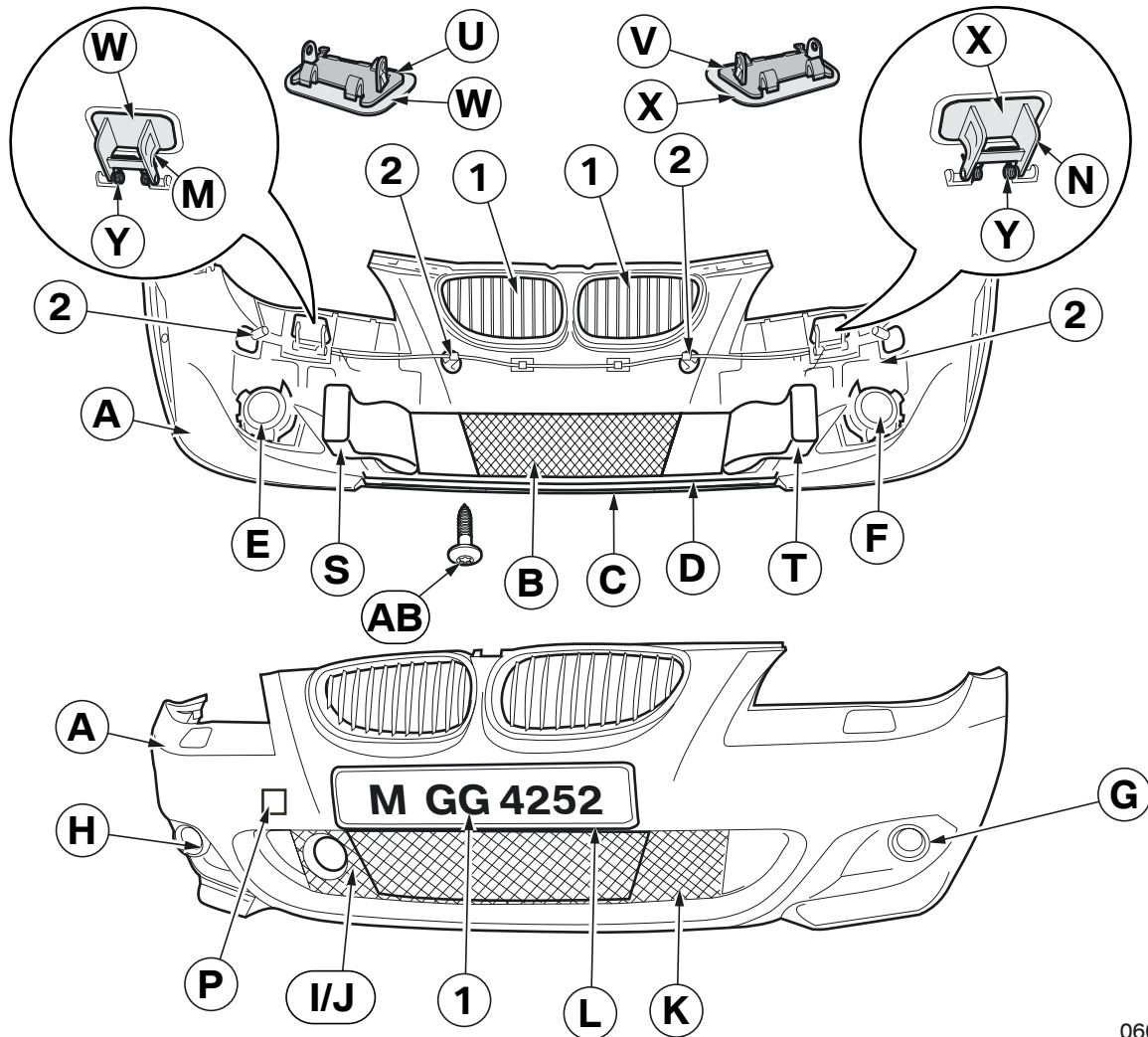


Separate the marked section (2) from the wheelhouse liner (1).



Drill an 8 mm hole (2) in the wheelhouse liner (1) using the dimensions shown.

6. To install the front bumper trim



060 0508 Z

Cars with PDC only

Install PDC sensors (2) in bumper trim **A** (see TIS RA: 66 20 520).

Cars with headlight cleaning system only

Install left lever **M**, right lever **N**, springs **Y**, left headlight cleaning system flap **W** and right headlight cleaning system flap **X** in bumper trim **A** (see TIS RA: 51 11 ...).

Cars without headlight cleaning system only

Install left headlight cleaning system flap **W** and right headlight cleaning system flap **X** into bumper trim **A** in connection with left dummy plug **U** and right dummy plug **V** (see TIS RA: 51 11 ...).

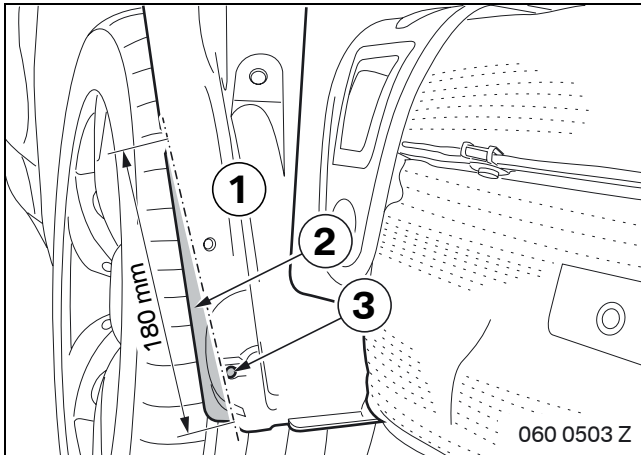
All cars

Install left and right front decorative grilles (1) (see TIS RA: 51 13 001).

Complete bumper trim **A** (see TIS RA: 51 11 ...).

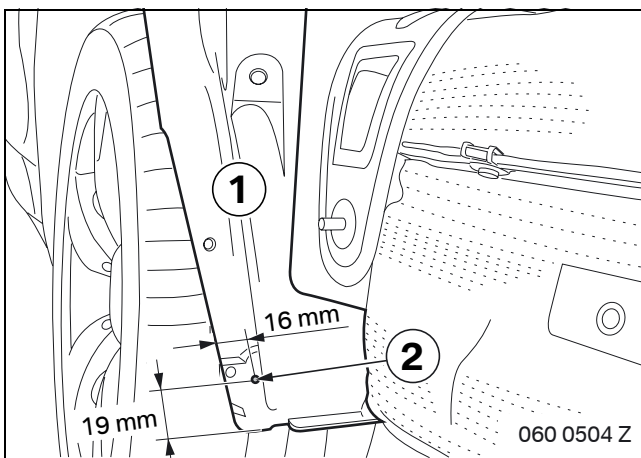
Mount completed bumper trim **A** on the car (see TIS RA: 51 11 156).

7. To install the rear bumper trim

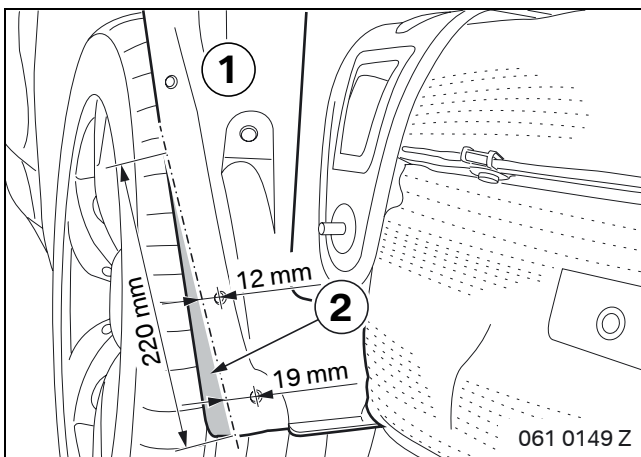


E60 cars only

- ▶ Cut edge runs exactly along the hole (3). ◀
- Separate the marked section (2) from the wheelhouse liner (1).

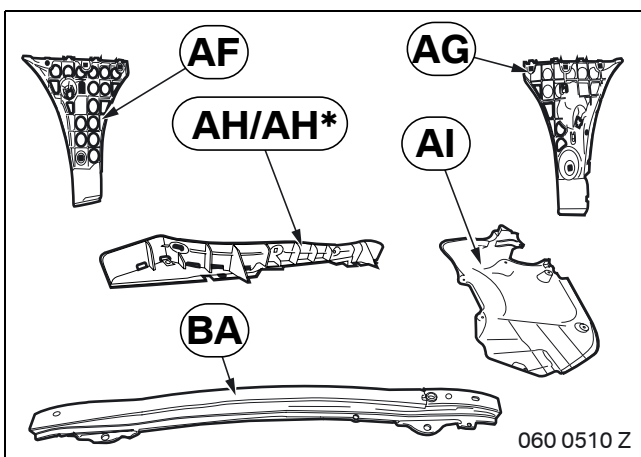


- Drill an 8 mm hole (2) in the wheelhouse liner (1) using the dimensions shown.



E61 cars only

- Separate the marked section (2) from the wheelhouse liner (1).



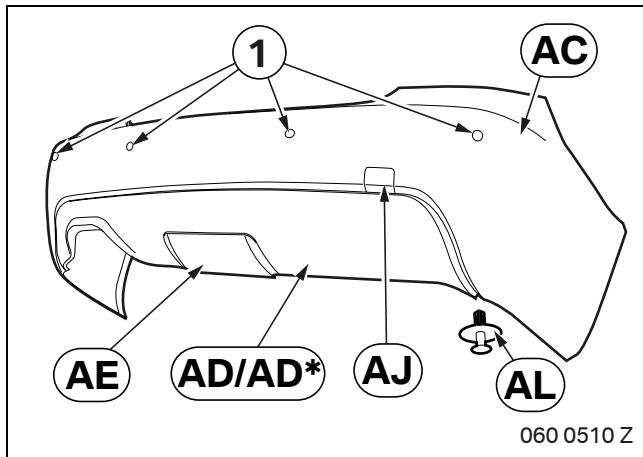
E61 cars only

- Replace the original rear bumper trim support by the rear bumper trim support **BA** contained in the kit (see TIS RA: 51 12 050).

All cars

- Mount left holder **AF**, right holder **AG**, middle holder **AH/AH*** and battery box cover **AI** on the car (see TIS RA: 51 12 ...).

7. To install the rear bumper trim



Cars with PDC only

Install PDC sensors (1) in bumper trim **AC** (see TIS RA: 66 20 540).

All cars

Complete bumper trim **AC** (see TIS RA: 51 12 ...).

Mount bumper trim **AC** on the car using stoppers **AL** (see TIS RA: 51 12 156).

8. Concluding work

- Connect the battery
- Conduct a brief test