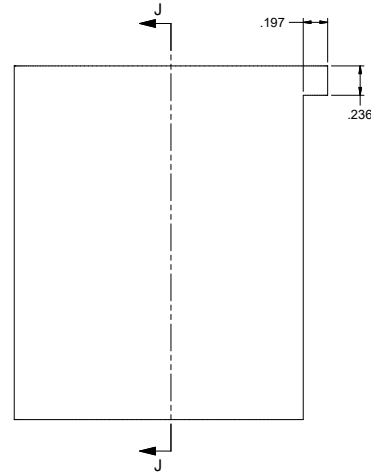
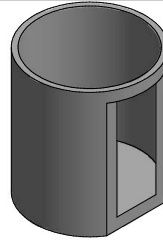
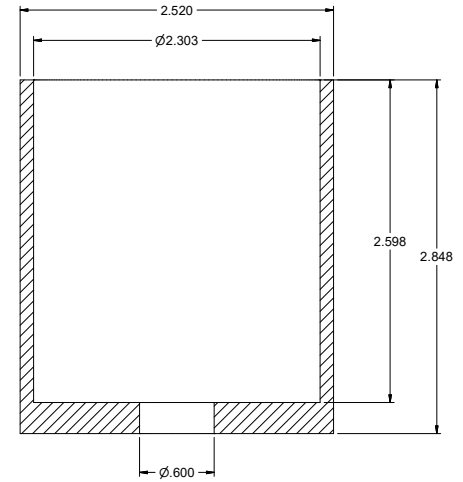


SECTION G-G
SCALE 4 : 1

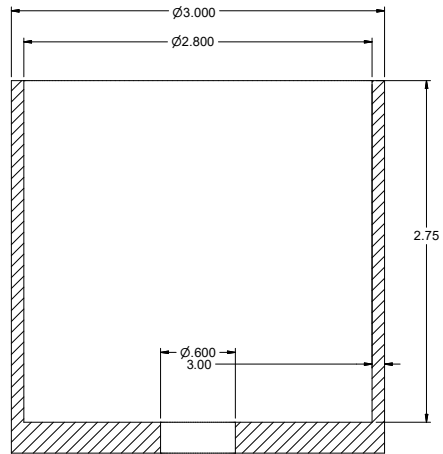
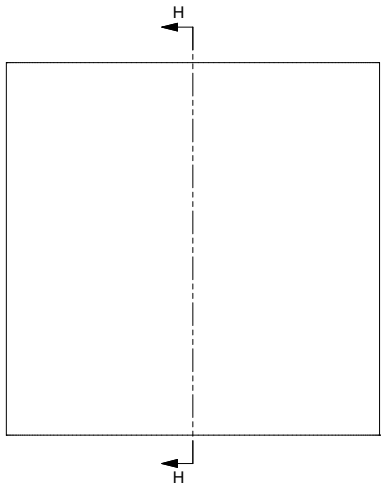
Trailing arm bushings
Removal / Installer Cup can also be used for Smaller Diff Bushings!



Rear ball joint

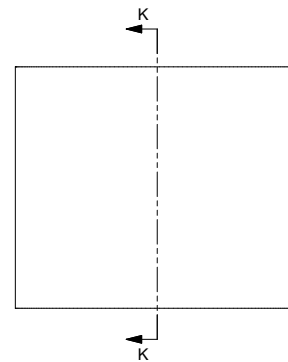


SECTION J-J
SCALE 2 : 1

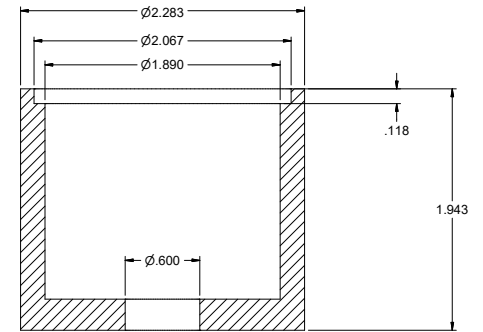


SECTION H-H
SCALE 2 : 1

Trailing arm rear bushings
receiver cup & installer for
Diff rear bushing

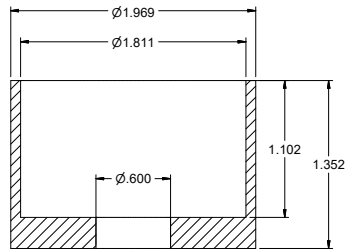
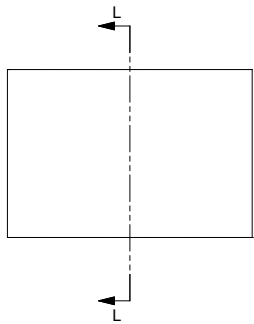


Rear Ball Joint



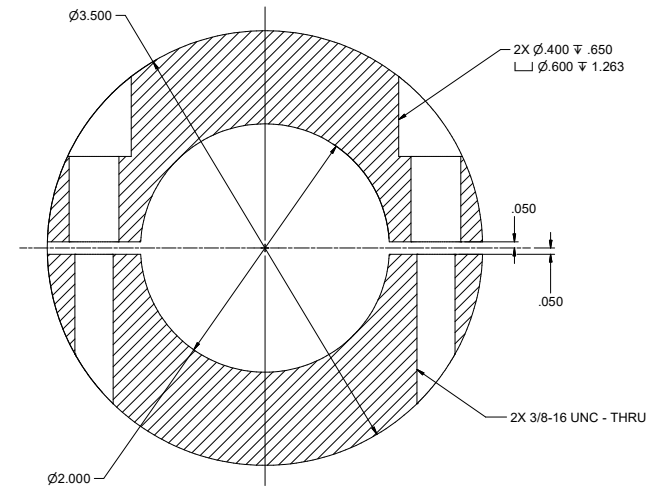
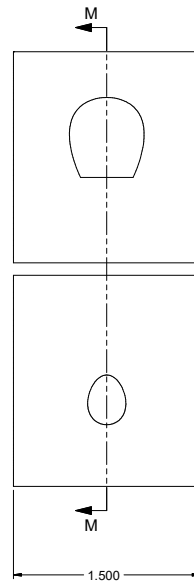
SECTION K-K
SCALE 2 : 1

All measurements in inches unless otherwise specified.
(I know metric is good and inches suck)



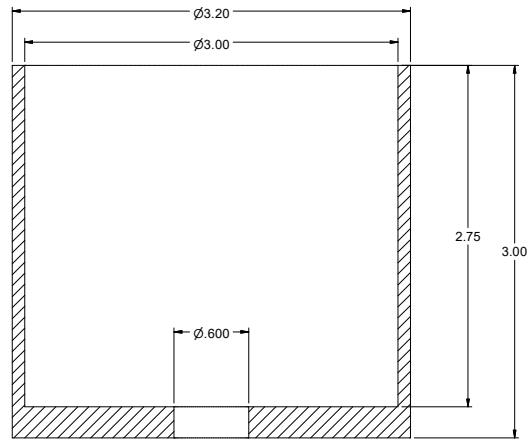
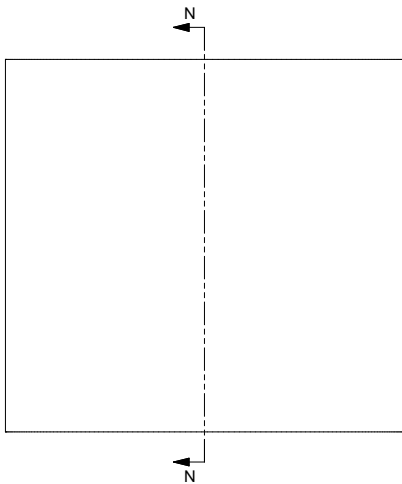
SECTION L-L
SCALE 2 : 1

Rear Ball joint installer



SECTION M-M
SCALE 2 : 1

Rear Trailing arm
Bushing Compressor



SECTION N-N
SCALE 2 : 1

Receiver cup for Rear Diff Bushing
(BIG ONE!!!)

All measurements in inches unless otherwise specified.
(I know metric is good and inches suck)