**Special tools required:**

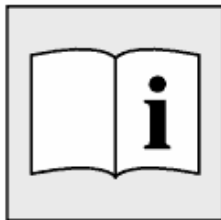
- 00 9 450
- 12 7 192
- 64 1 020

**Important!**

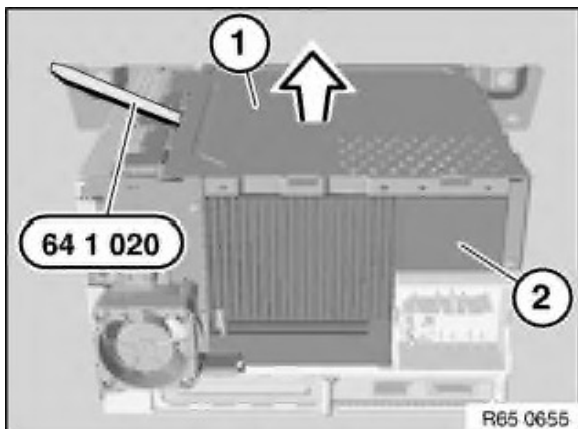
Read and comply with notes on protection against electrostatic damage (ESD protection).

Risk of damage!

Place Car Communication Computer on special tool 12 7 192 (antistatic mat) and earth/ground.

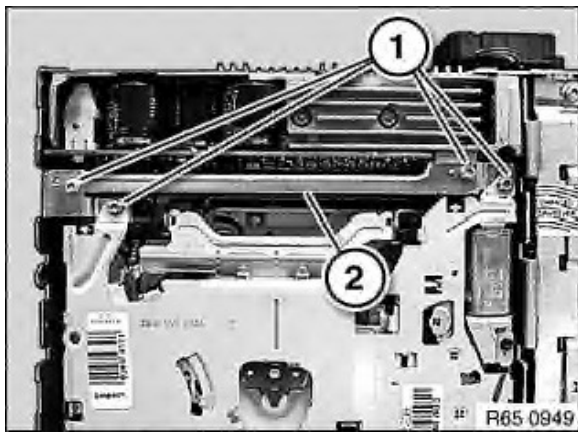
*Necessary preliminary tasks:*

- Remove front trim for Car Communication Computer



If necessary, cut through warranty seal.

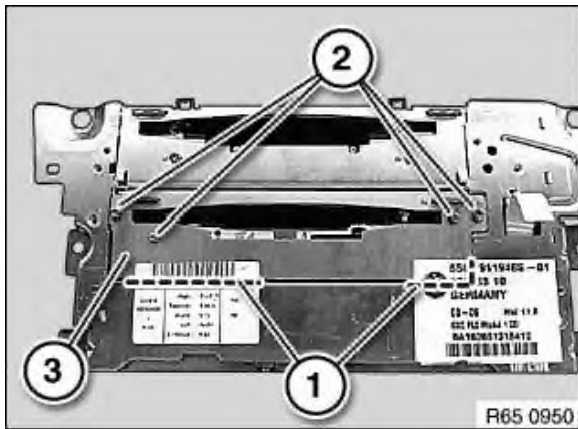
Raise cover (1) with special tool 64 1 020 all round and remove from Car Communication Computer (2).



Release bolts (1).
Feed out bridge (2).

Installation:

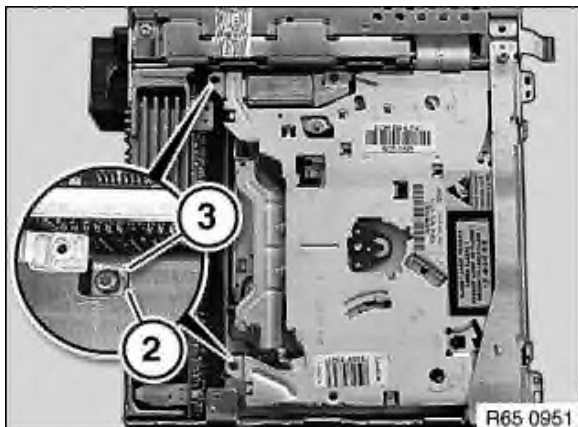
Use special tool 00 9 450 to tighten down screws.
Tightening torque 65 11 3AZ .



Cut through stickers at marked points (1).
Release screws (2) and remove trim (3).

Installation:

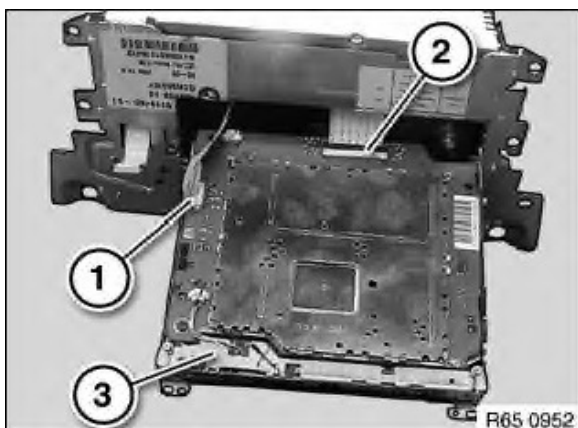
Use special tool 00 9 450 to tighten down screws.
Tightening torque 65 11 3AZ .



Release screws (1) with magnetic screwdriver.

Installation:

Lug (2) of DVD drive must be above lug (3) of Car Communication Computer.



Turn Car Communication Computer through 180° and carefully feed out DVD drive.

Carefully disconnect plug connections (1, 2).
Remove DVD drive (3).

Installation:

Ensure correct cable routing.



After installation:

On cars before March 2006 it is essential after replacing the DVD drive to carry out a measures plan or a software update as per SSS/Progman/CIP.