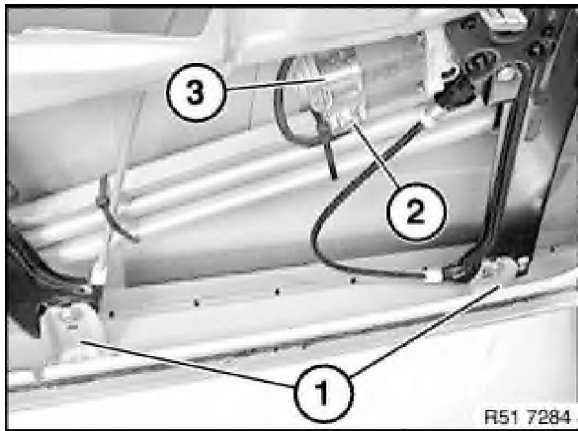
*Necessary preliminary tasks:*

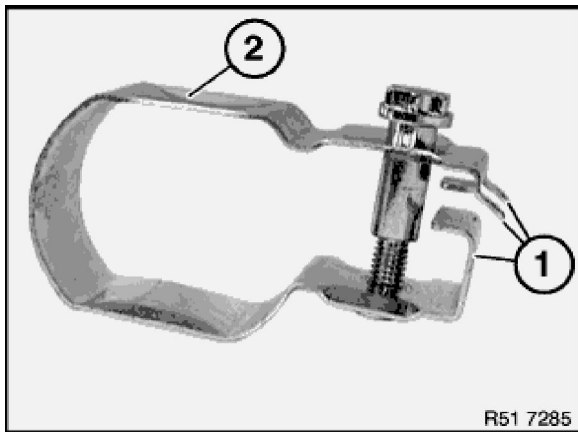
- Remove front door window glass



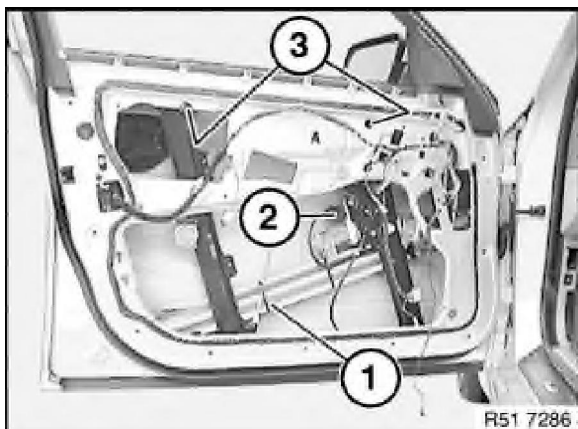
Loosen screws (1).

Slacken screw (2) and remove retaining clip (3).

Tightening torque 51 33 2AZ.

*Installation:*

Make sure guide (1) is correctly seated when fitting retaining clip (2).

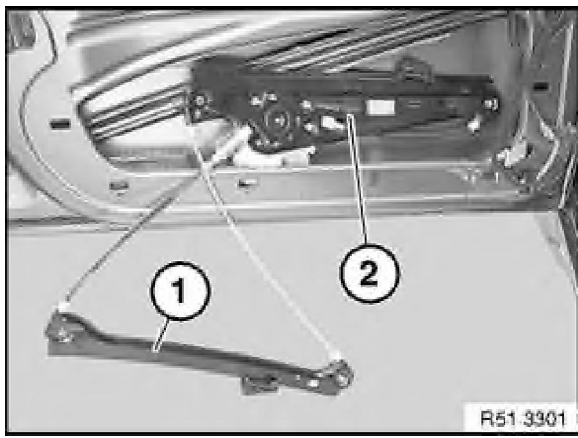


Release cable tie (1).

Disconnect plug connection on drive (2).

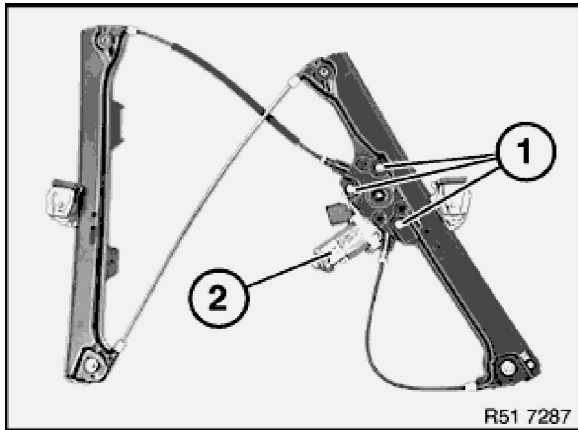
Release screws on power window unit above bores (3).

Tightening torque 51 33 2AZ .



Removal of power window:

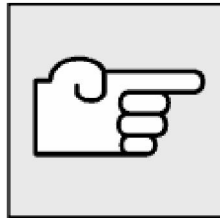
1. Feed out rear window lift rail
2. Feed out front window lift rail



Replacement:

Release screws (1) and detach flat motor (2).

Tightening torque 51 33 1AZ .



Note:

To activate the anti-trapping mechanism, a normalization must be carried out after the power window unit has been installed.

Operating sequence for normalization:

- Open corresponding window completely.
- Press corresponding power window switch into "Close one-touch operation" (second switch stage).
- Once the upper end position has been reached, hold power window switch down for approx. 500 secs. more.
- Carry out function check (one-touch function, anti-trapping protection and, if necessary, comfort function).