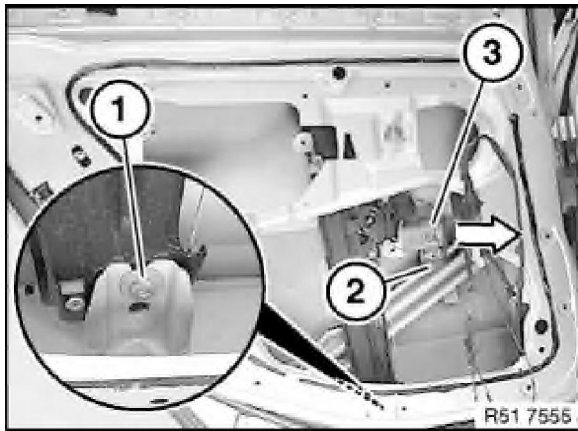
*Necessary preliminary tasks:*

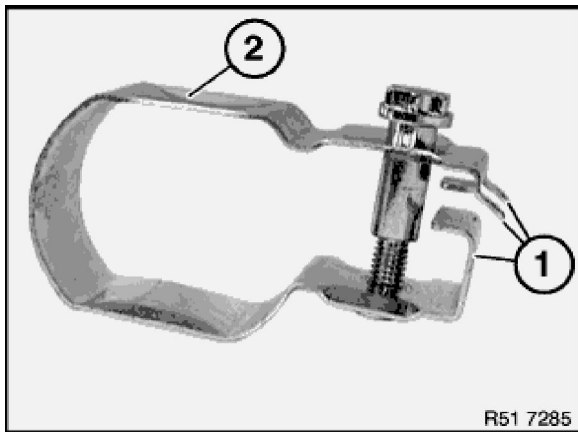
- Remove rear door window glass



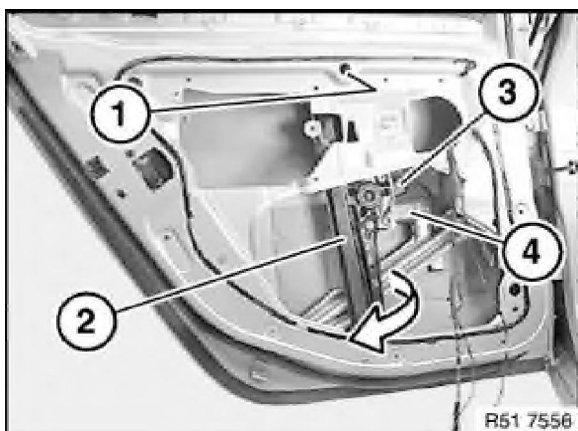
Slacken screws (1 and 2) (do not release).
Remove clamp (3) in direction of arrow.

Installation:

Tightening torque 51 35 2AZ

*Installation:*

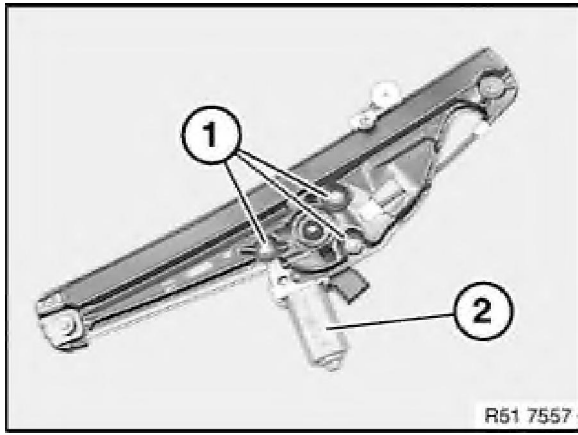
Make sure guide (1) is correctly seated when fitting clamp (2).



Release screw on power window unit (2) through bore (1).

Disconnect plug connection (3) from drive (4).

Feed power window unit (2) in direction of arrow out of inner door panel.

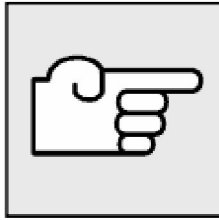


Replacement:

Release screws (1) and detach flat motor (2).

Installation:

Tightening torque 51 35 1AZ



Important!

The power window unit must be reinitialized after it has been installed.