



# Installation Instructions

Page 1 of 7  
May 2008

## ***SUBJECT***

### **SIRIUS Satellite Radio retrofitting/replacement process**

## ***MODEL***

E60 (5 Series) MY2007 – Onwards, with SA693 (Pre-Wiring for SIRIUS Satellite Radio Tuner)

## ***SITUATION***

On a vehicle equipped with Pre-wiring for SIRIUS Satellite Radio Tuner (SA 693), a customer would like to, at their own expense, install SIRIUS Satellite Radio.

## ***PARTS INFORMATION***

Description	Quantity	Part Number
SIRIUS Receiver	1	65 12 9 162 994
Receiver Bracket	1	65 10 6 925 468
Hex Bolt	7	07 11 9 902 932
Clip Nut	3	61 13 1 372 033

## ***PROCEDURE***

SUGGESTED INSTALLATION TIME: 1.0 Hours\*\*

Total installation time may vary depending on vehicle options and equipment.

\*\*Suggested installation time includes re-coding of the vehicle only for this retrofit kit. This time is based on a vehicle that is at the current software level and does not require any updates. Before installing this accessory into the vehicle, the vehicle should be checked for software updates. If updates are available, the vehicle should be programmed prior to installing this accessory. **If the vehicle is under warranty, the costs of programming prior to retrofit should use defect code 72 60 93 02 00.**

Carefully read all instructions and supplements before proceeding with the installation. Reference should be made to TIS for instructions dealing with a stock part of the vehicle but not stated in detail in these instructions.

**Caution: The technician performing this installation must be experienced working with MOST-ring connectors and fibre-optic components. Never touch tip of fibre-optic cable with bare fingers. Oil from fingertips can cause errors in MOST system. If necessary, clean cables with alcohol before reassembly.**

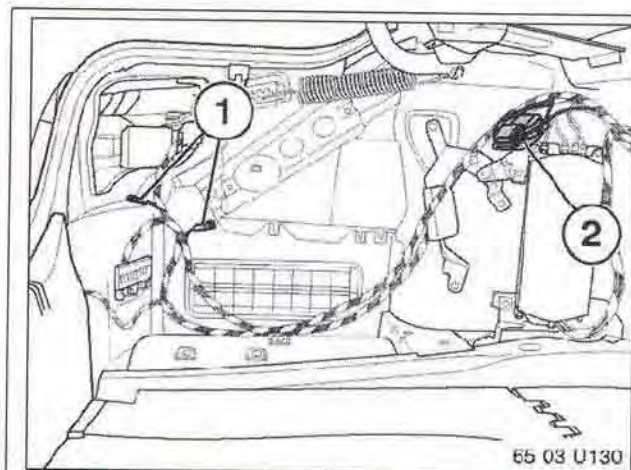
Management/ Gestion	<input checked="" type="checkbox"/>	Service/reception Réception / service	<input checked="" type="checkbox"/>	Service/workshop Atelier / service	<input checked="" type="checkbox"/>	Service/warranty Garantie/service	<input checked="" type="checkbox"/>	Parts and access. Pièces et access.	<input checked="" type="checkbox"/>	Sales Ventes	<input type="checkbox"/>
------------------------	-------------------------------------	--	-------------------------------------	---------------------------------------	-------------------------------------	--------------------------------------	-------------------------------------	--	-------------------------------------	-----------------	--------------------------

**Fix it right the first time is our ultimate goal.**

BMW Canada Inc  
Quality and Technical

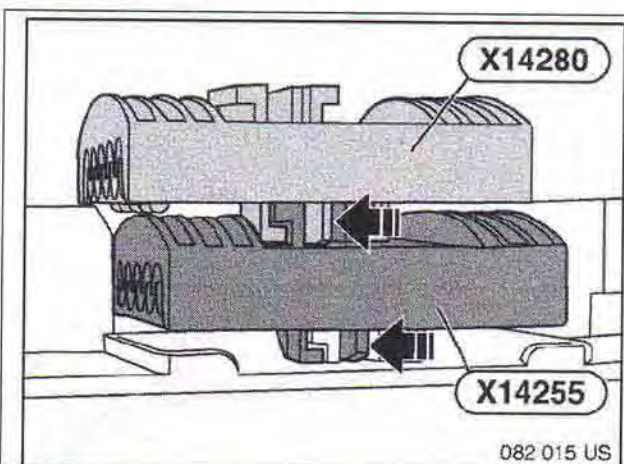
For administrative convenience, this document may include references, processes or information for authorized BMW car retailers and/or authorized BMW SAV retailers. All references, processes or information related to SAVs and/or the X5 are intended ONLY for authorized BMW SAV retailers.

## PROCEDURE - REAR CABIN



1. Battery must be connected and fully charged for preliminary steps.
2. Remove left rearward and left forward trunk trim panels.
3. Locate SIRIUS antenna and MOST/Power connectors in rear left corner (1).
4. Locate MOST-bus junction blocks (2) in left forward trunk area.

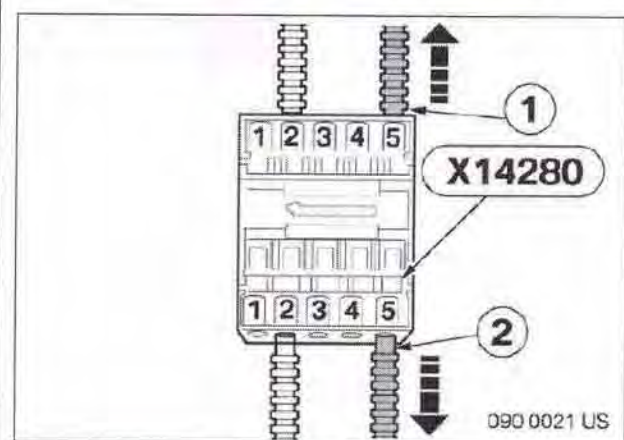
## FIBRE OPTIC WIRING



### MOST block

5. Separate upper black junction block X14280 (1) from lower black junction block X14255 (2) by pushing locking tab (black arrow) to the left and sliding upper block rearward.
6. Separate lower junction block X14255 (2) from plastic mountin bracket by pushing locking tab (black arrow) to the left and sliding block rearward.

*Fibre optic cables not shown in illustration.*



**Warning: Label all fibre optic cables removed and/or relocated during this installation including position location and orientation (input vs. output) to avoid MOST ring errors.**

7. Unlock the cover caps from the MOST-bus junction blocks with the aid of a small flat head screwdriver.
8. Remove the satellite receiver (SDARS) fibre optic cables (1 & 2) from **Position 5** of the upper black junction block X14280 with the aid of a small flat head screwdriver.

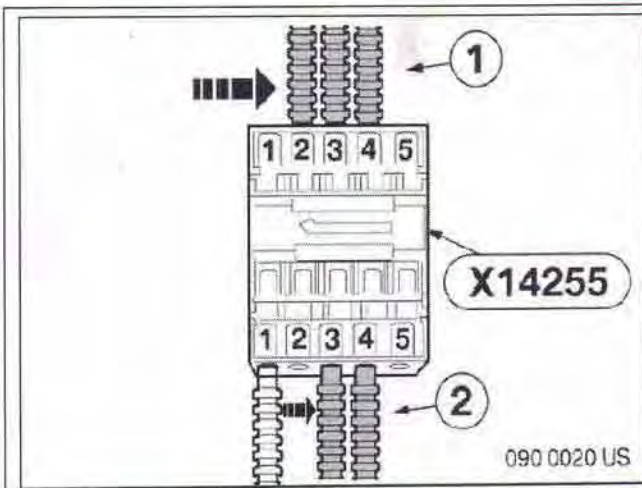
Management/ Gestion	<input checked="" type="checkbox"/>	Service/reception Réception / service	<input checked="" type="checkbox"/>	Service/ workshop Atelier / service	<input checked="" type="checkbox"/>	Service/warranty Garantie/service	<input checked="" type="checkbox"/>	Parts and access. Pièces et access.	<input checked="" type="checkbox"/>	Sales Ventes	<input checked="" type="checkbox"/>
------------------------	-------------------------------------	--	-------------------------------------	--	-------------------------------------	--------------------------------------	-------------------------------------	--	-------------------------------------	-----------------	-------------------------------------

**Fix it right the first time is our ultimate goal.**

BMW Canada Inc  
Quality and Technical

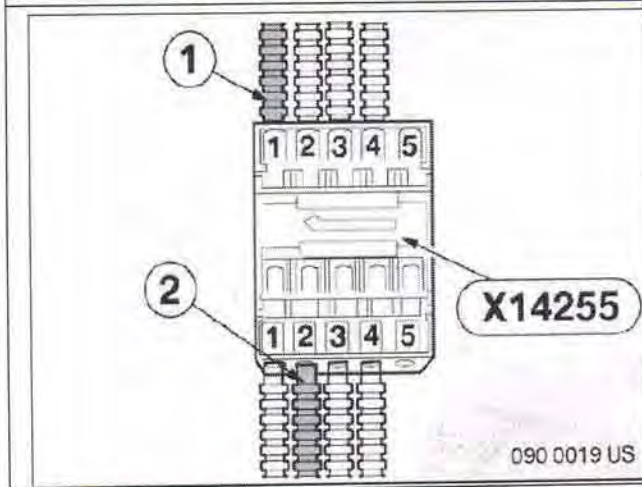
For administrative convenience, this document may include references, processes or information for authorized BMW car retailers and/or authorized BMW SAV retailers. All references, processes or information related to SAVs and/or the X5 are intended ONLY for authorized BMW SAV retailers.





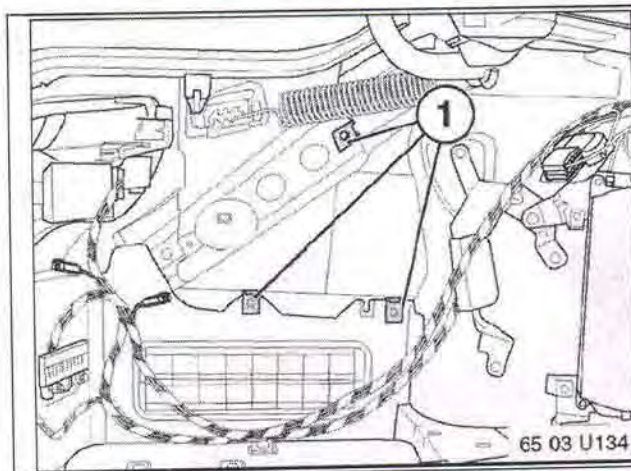
**Note: The number of fibre cables connected to the MOST junction block X14255 may differ than shown, depending on vehicle options.**

9. Remove the fibre optic cable/s (1) from slot/s **PIN 1-4** of the upper side of the distribution block X14255 and connect it to the nearby slot/s **PIN 2-5**.
10. Remove the fibre optic cable/s (2) from slot/s **PIN 2-4** of the upper side of the distribution block X14255 and connect it to the nearby slot/s **PIN 3-5**.



11. Connect the SDARS fibre optic cable (1) removed from junction block X14280 in Step 8 into the empty slot **Position 1** of junction block X14255.
12. Connect the SDARS fibre optic cable (2) removed from junction block X14280 in Step 8 into the empty slot **Position 2** of junction block X14255.
13. Lock the cover caps onto the upper and lower junction blocks and re-secure both junction blocks to the plastic bracket.

### RECEIVER/BACKET ASSEMBLY



14. Disconnect vehicle's battery.
15. Insert 3 clip nuts in indicated locations (1).

**Note: On Logic7-equipped vehicles, amplifier will have to be temporarily removed to access SIRIUS bracket mounting points. Use instructions available through TIS to remove and re-install Logic7 amplifier.**

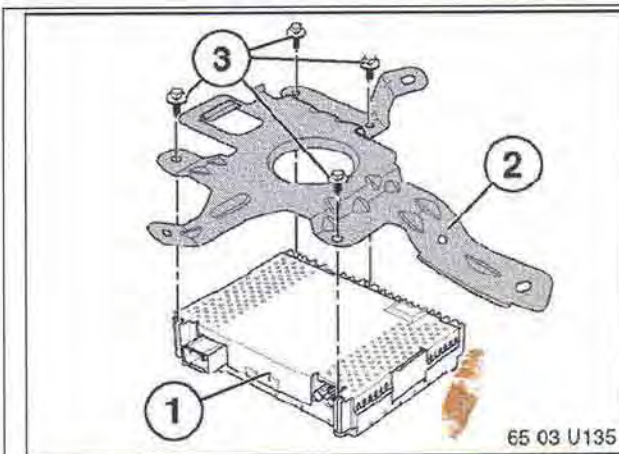
Management/ Gestion	Service/reception Réception / service	Service/workshop Atelier / service	Service/warranty Garantie/service	Parts and access. Pièces et access.	Sales Ventes
------------------------	--	---------------------------------------	--------------------------------------	--	-----------------

**Fix it right the first time is our ultimate goal.**

BMW Canada Inc  
Quality and Technical

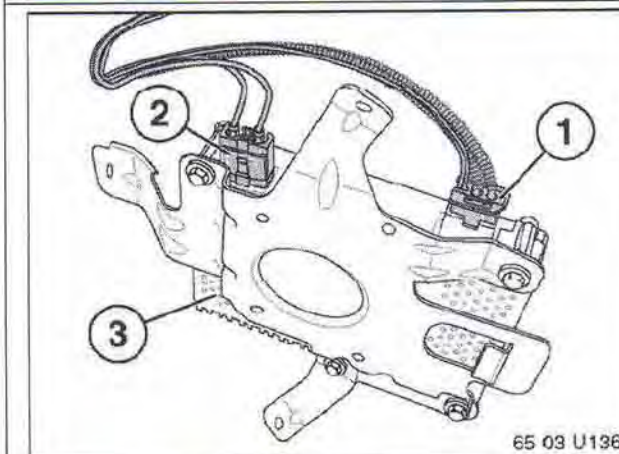
For administrative convenience, this document may include references, processes or information for authorized BMW car retailers and/or authorized BMW SAV retailers. All references, processes or information related to SAVs and/or the X5 are intended ONLY for authorized BMW SAV retailers.





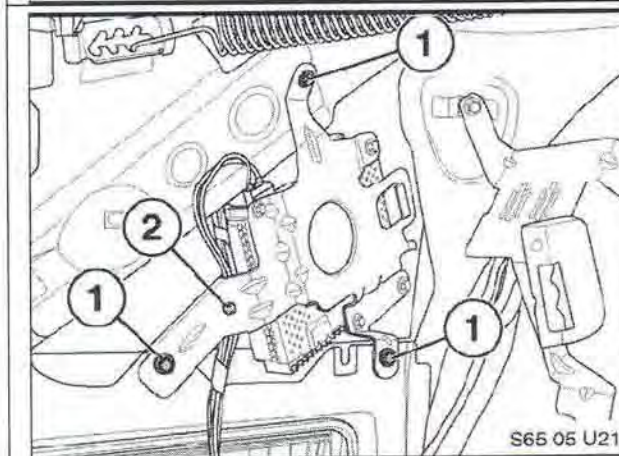
16. Install SIRIUS receiver (1) to bracket (2) as indicated using 4 bolts (3).

**Caution: Take care to avoid over-tightening or cross-threading these bolts, as the aluminum threading of the receiver may be damaged.**



17. Remove cable-ties securing SIRIUS connectors to rear of trunk.

18. Connect SIRIUS power/MOST connector (1) and antenna connector (2) to SIRIUS receiver (3) as indicated.



19. Mount SIRIUS bracket assembly to vehicle using 3 bolts (1).

**Note: SIRIUS wiring harness is to be routed behind SIRIUS receiver bracket as shown.**

20. Attach SIRIUS wiring harness clip (2) to SIRIUS bracket in order to secure the harness.

21. Re-install all components removed during installation.

22. Re-connect vehicle battery.

Installation is complete.

Proceed to Retrofit Coding and then Activation Procedure to finalize SIRIUS retrofit.

Management/ Gestion	<input checked="" type="checkbox"/>	Service/reception Reception / service	<input checked="" type="checkbox"/>	Service/workshop Atelier / service	<input checked="" type="checkbox"/>	Service/warranty Garantie/service	<input checked="" type="checkbox"/>	Parts and access. Pièces et access.	<input checked="" type="checkbox"/>	Sales Ventes	<input type="checkbox"/>
------------------------	-------------------------------------	--	-------------------------------------	---------------------------------------	-------------------------------------	--------------------------------------	-------------------------------------	--	-------------------------------------	-----------------	--------------------------

**Fix it right the first time is our ultimate goal.**

BMW Canada Inc  
Quality and Technical

For administrative convenience, this document may include references, processes or information for authorized BMW car retailers and/or authorized BMW SAV retailers. All references, processes or information related to SAVs and/or the X5 are intended ONLY for authorized BMW SAV retailers.

## RETROFIT CODING

**Note: Please refer to SI 09 05 01 for latest Progman retrofit procedure before starting vehicle coding.**

Retrofit SIRIUS receiver using Progman 29.01.01 or later

Follow approved Progman Retrofit procedures until Retrofit selection appears then:

- 1) Select: **Retrofits**
- 2) Again select: **Retrofits**
- 3) Select: **SDARS**
- 4) Select: **Added**  
Informational page displays "Retrofitting SDARS selected. The vehicle order is changed during sequence".
- 5) Select: **CONTINUE**  
Tester will automatically determine measures plan for encoding option 655 (SDARS) and will be added to vehicle order.
- 6) Select: **ACCEPT**
- 7) Select: **START** to execute measures plan

Upon completion of SDARS retrofit coding, conduct functional test of the SIRIUS receiver.

Proceed to Activation Procedure.

## ACTIVATION PROCEDURE FOR SIRIUS Satellite RADIO for E60

- 1) Ensure the vehicle has a clear line of sight to the sky. Do not place vehicle under a tree or other solid structure. Make sure the vehicle is in an area with adequate signal strength to receive SIRIUS signal and activate receiver. Please consult your SIRIUS representative for signal coverage in your area.
- 2) Turn on the vehicle to ignition 1.
- 3) From main menu, select **Entertainment** option using iDrive and select **SAT** option on top of the screen.
- 4) Select **All Channels**. A list of available channels will appear. If a receiver is not yet activated, none of the channels will be checked (✓) except **CH 184 Weather**. **Scroll down channel listing and select channel 184 to confirm it is available and audio is heard. Channel 184 should be available and functional on every new receiver and was designed to allow technicians to confirm SIRIUS receiver functionality before initial activation.**
- 5) If "**CH 184 Weather**" is displayed and audio is functioning correctly, proceed to step 10. If not, go to next step.

Management/ Gestion	✓	Service/reception Réception / service	✓	Service/workshop Atelier / service	✓	Service/warranty Garantie/service	✓	Parts and access. Pièces et access.	✓	Sales Ventes	✓
------------------------	---	--	---	---------------------------------------	---	--------------------------------------	---	--	---	-----------------	---

**Fix it right the first time is our ultimate goal.**

BMW Canada Inc  
Quality and Technical

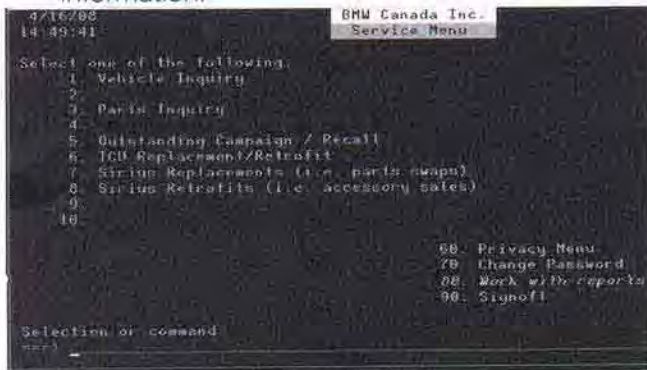
For administrative convenience, this document may include references, processes or information for authorized BMW car retailers and/or authorized BMW SAV retailers. All references, processes or information related to SAVs and/or the X5 are intended ONLY for authorized BMW SAV retailers.



- 6) If “**CH 184 Weather**” is not available, turn vehicle OFF, wait for approximately 5 minutes for MOST bus to RESET and repeat steps 2-4.
- 7) Once “**CH 184 Weather**” is functional, contact SIRIUS Canada to activate the receiver. Prior to calling SIRIUS Canada, have handy the **12-digit SIRIUS Receiver ESN** and **full VIN** of the vehicle.
- 8) The SIRIUS Receiver ESN can be found on the SIRIUS receiver or be displayed on the screen by selecting and unchecked channels such as CH 001.
- 9) With the full VIN and ESN handy, call SIRIUS Canada at 1-888-539-7474 to activate the receiver. After SIRIUS Canada activates the receiver, it will take approximately 5 minutes or less for signal to reach the vehicle. Leave radio in SIRIUS Satellite mode with “Weather” displayed and key position in ignition 1 for approximately 5 additional minutes in order to successfully download all initial satellite information.
- 10) Activation is completed. Select **All Channels**. A list of available channels will appear. If a receiver is activated correctly, all channel numbers will include a check mark (√).

### **PROCESSING SIRIUS SATELLITE RADIO RETROFIT**

1. Obtain the Sirius ID/ESN of the new SIRIUS Satellite Radio module.
2. Complete the attached SIRIUS Satellite Radio retrofit form entitled “Sirius Satellite Radio Replacement/Retrofit Form” and submit it with the work order.
3. Warranty/Parts associate with access to REX system must update the SIRIUS Satellite Radio information.



- a. In REX, select **Sirius Replacements** or **Sirius Retrofits** option.

Management/ Gestion	Service/reception Réception / service	Service/ workshop Atelier / service	Service/warranty Garantie/service	Parts and access. Pièces et access.	Sales Ventes
------------------------	--	--	--------------------------------------	--	-----------------

**Fix it right the first time is our ultimate goal.**

BMW Canada Inc.  
Quality and Technical

For administrative convenience, this document may include references, processes or information for authorized BMW car retailers and/or authorized BMW SAV retailers. All references, processes or information related to SAVs and/or the X5 are intended ONLY for authorized BMW SAV retailers.

```

SJJ1PVR  ENTER      Process Sirius Replacement

ENTER VIN . . . . . : CX10516 2008 NB93 M5
                    416 Carbon Black
                    X2SM Black Full Merino

CURRENT Sirius ID.: 024526164802

Please enter Sirius ID for Replacement

NEW Sirius ID . . . : 

```

```

SJJ2PVR  ENTER      Process Sirius Retrofit

ENTER VIN . . . . . : C756907 2008 NV13 528xi
                    A68 Platinum Grey
                    LCSW Black Dakota Leather

Please enter Sirius ID for Retrofit

NEW Sirius ID . . . : 

```

## SIRIUS Replacements

- b. Enter the VIN of the vehicle. This will automatically bring up vehicle information and current SIRIUS account information.
- c. Enter and verify new Sirius ID/ESN to complete SIRIUS Replacement process.

## SIRIUS Retrofits

- d. Enter the VIN of the vehicle. This will automatically bring up vehicle information.
- e. Enter and verify new Sirius ID/ESN to complete SIRIUS Retrofit process.

The instructions were complete and up to date at time of publication; however, changes to the vehicle or installation may have occurred. Please report any problems or changes noted with the installation to [Vehicle.Communications@bmwgroup.ca](mailto:Vehicle.Communications@bmwgroup.ca), along with VIN, date of manufacturer and as much detail as possible.

Management/ Gestion	<input checked="" type="checkbox"/>	Service/reception Réception / service	<input checked="" type="checkbox"/>	Service/workshop Atelier / service	<input checked="" type="checkbox"/>	Service/warranty Garantie/service	<input checked="" type="checkbox"/>	Parts and access. Pièces et access.	<input checked="" type="checkbox"/>	Sales Ventes	<input type="checkbox"/>
------------------------	-------------------------------------	--	-------------------------------------	---------------------------------------	-------------------------------------	--------------------------------------	-------------------------------------	--	-------------------------------------	-----------------	--------------------------

**Fix it right the first time is our ultimate goal.**

BMW Canada Inc  
Quality and Technical

For administrative convenience, this document may include references, processes or information for authorized BMW car retailers and/or authorized BMW SAV retailers. All references, processes or information related to SAVs and/or the X5 are intended ONLY for authorized BMW SAV retailers.