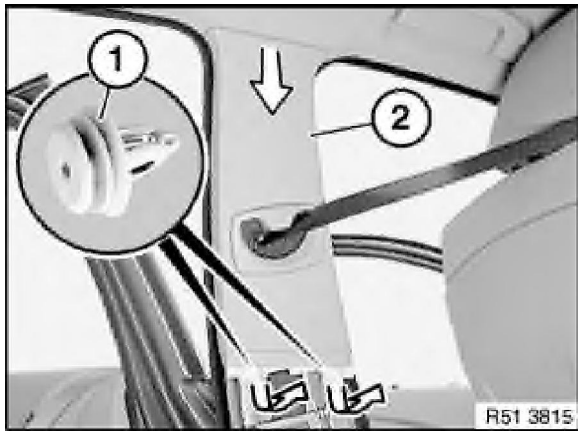
*Necessary preliminary tasks:*

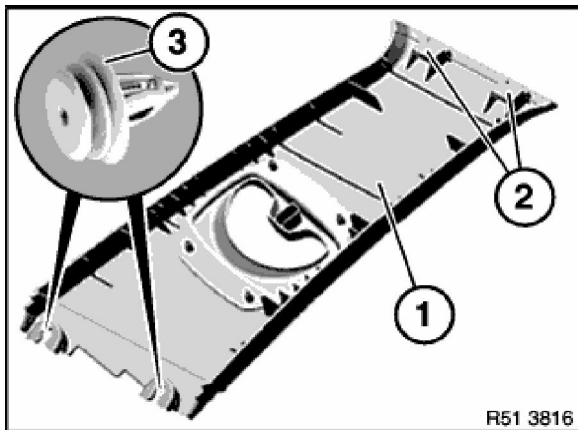
- Remove panel for door pillar (bottom)
- Release seat belt screw on front seat



Release clips (1).

Pull off panel (2) towards bottom.

Separate webbing.

*Installation:*

Following parts of trim (1) must not be damaged or missing:

- 2 Guides
- 3 Clips
- Fixtures for expansion rivets
- Belt finisher strip