

Parts and Accessories. Installation Instructions.



Professional car phone upgrade BMW 5 Series Saloon (E60)

These installation instructions are only valid for cars with SA 640 (telephone preparation).

Upgrade kit No. 84 64 0 303 121

Installation time

The installation time is 3,5 - 4,0 hours, but this may vary depending on the condition of the car and the equipment in it.

Important information

These installation instructions are primarily designed for use within the BMW dealership organisation and by authorised BMW service companies.

In any event the target group for these installation instructions is specialist personnel trained on BMW cars with the appropriate specialist knowledge.

All work must be completed using the latest BMW repair manuals, circuit diagrams, servicing manuals and work instructions in a rational order using the prescribed tools (special tools) and observing current health and safety regulations.

To avoid unnecessary extra work and/or costs, if any installation or function problems occur, after a brief troubleshooting session (approx. 0.5 hours), an inquiry is to be sent straight away to the technical parts support via the Aftersales Assistance Portal (ASAP), quoting the chassis number, the part number of the retrofit kit and a precise description of the problem.

Do not archive the hard copy of these installation instructions since daily updates are made by ASAP.

See ASAP for details of the pictograms.

All the figures show LHD cars, proceed accordingly on RHD cars.

Pictograms



Denotes instructions that draw your attention to dangers.



Denotes instructions that draw your attention to special features.

◀ denotes the end of the instruction or other text.

Subject to technical modifications.

Ensure that the cables/lines are not kinked or damaged as you install them in the car. The costs incurred as a result of this will not be reimbursed by BMW AG.

Additional cables/lines that you install must be secured with cable ties.

If the specified PIN chambers are occupied, bridges, double crimps or twin-lead terminals must be used.

Before you install the retrofit system, test the control module status with the CIP (coding, customising, programming) test program. If the test detects incorrect statuses in one or more control modules, these must be updated first using the "Load software" function.

Installation information

Some of the installation of the aerial is shown only on the left-hand side of the car, proceed in the same way on the right-hand side of the car.

When routing fibre optic cables, make sure the bending radius is no less than 25 mm.

After the installation work the retrofit kit must be programmed / coded using DISPlus or GT-1 via the **CIP** path.

Ordering instructions

All parts in other colours are not part of the upgrade kit and must be ordered separately (see EPC for part number and documentation).

List of special equipment

The following special equipment must be taken into consideration when installing the upgrade kit:

- SA 403** Glass roof
- SA 606** Radio navigation system
- SA 609** Navigation system

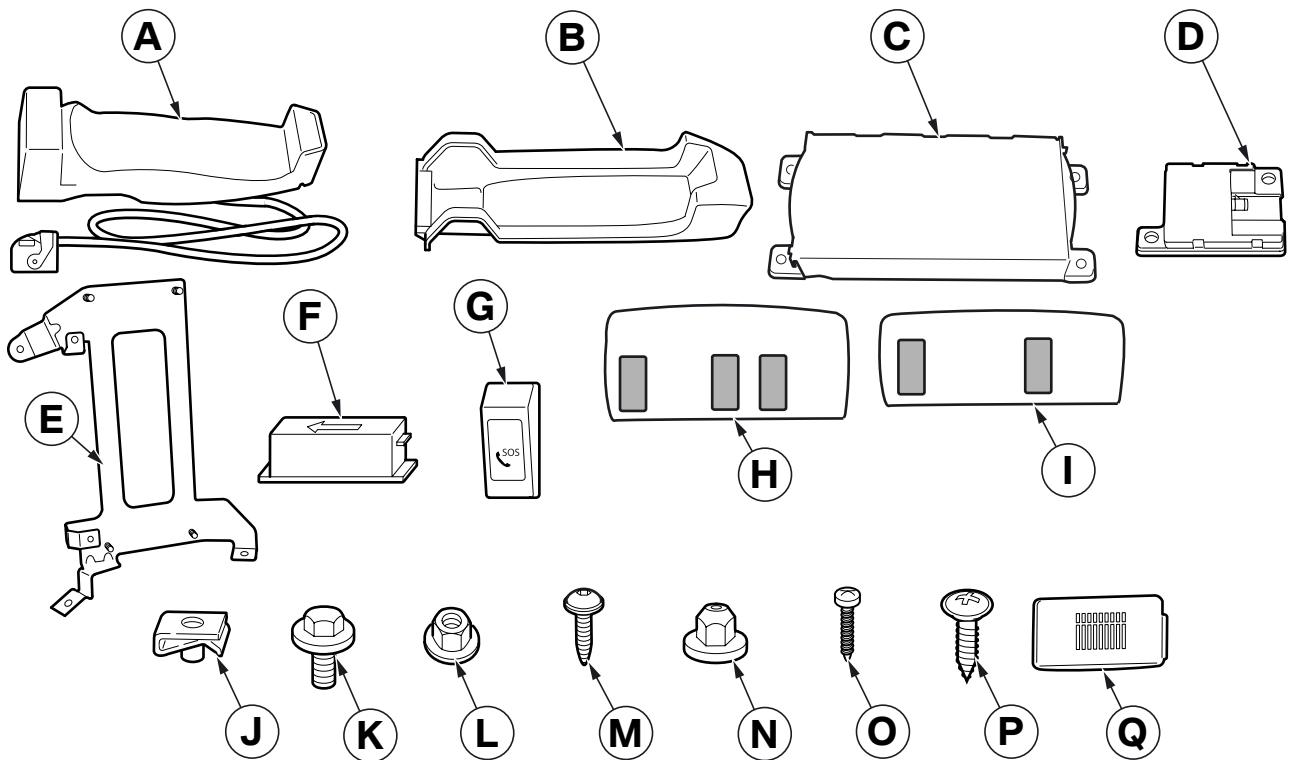
Special tools required

None

Contents

Section	Page
1. Parts list	4
2. Preparations.....	5
3. Installation and cabling diagram	6
4. To connect the fibre optic cables	7
5. To install and connect the telematics control unit	8
6. To install and connect the aerials	10
7. To install and connect the eject box.....	11
8. To install and connect the emergency call button and hands-free microphones	12
9. Concluding work and coding	14
10. To register the handset	15

1. Parts list



060 0355 Z

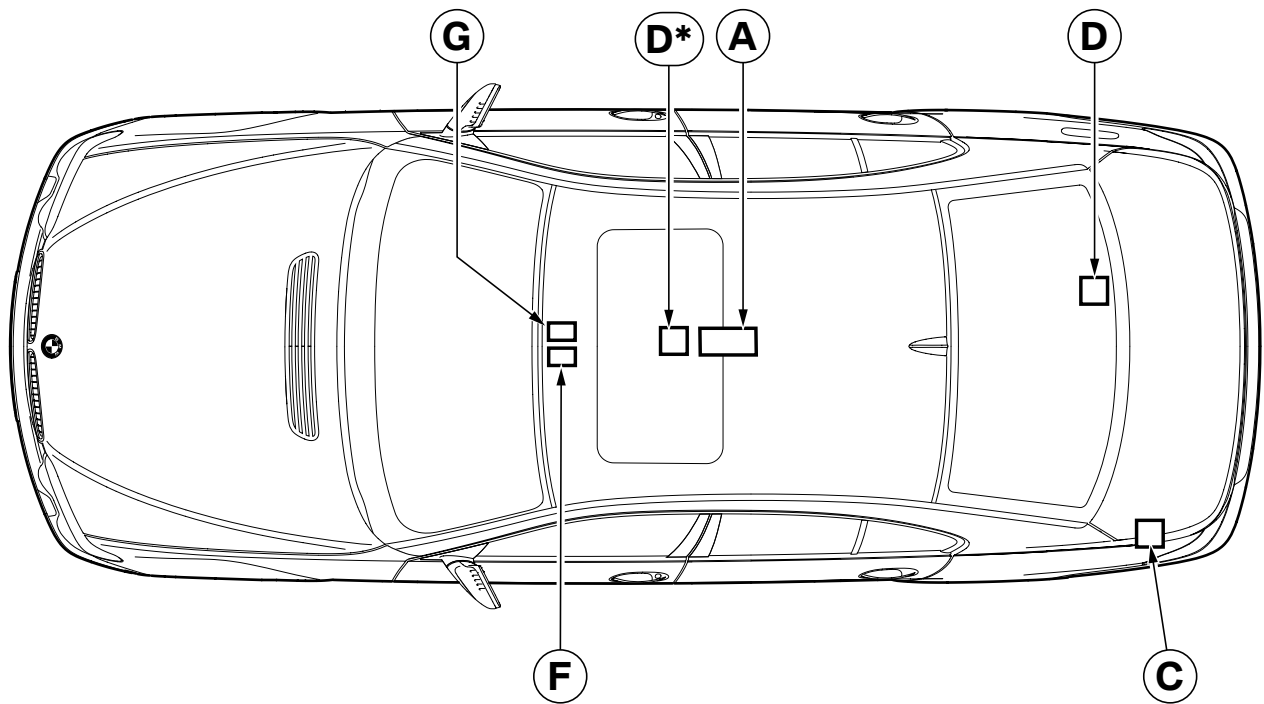
Legend

- A Eject box
- B Telephone mounting
- C Telematics control unit (TCU)
- D Bluetooth aerial
- E Holder
- F Hands-free microphone
- G Emergency call button
- H Headlining trim with SA 403 (not included in kit)
- I Headlining trim without SA 403 (not included in kit)
- J Speed nut
- K Hexagonal screw M5 x 14 (3x)
- L Hexagonal nut M5 (4x)
- M Self-tapping screw M5 x 12 mm (2x) (not required)
- N Cap nut M5 (2x) (for cars built before 09/03 only)
- O Fillister head screws (4x)
- P Self-tapping screw 4.8 x 13 mm (2x) (for cars built after 09/03 only)
- Q Hands-free microphone trim (not included in kit)

2. Preparations

	TIS No.
Conduct a brief test	---
Disconnect the negative pole of the battery	12 00 ...
The following components must be removed first of all	
Front ceiling light	63 31 000
Centre armrest oddments tray	51 ...
Centre armrest cover	---
Left side trim in the boot	51 ...
Centre console (cars after 09/03 only)	51 ...
Rear fresh air grille (cars after 09/03 only)	64 22 191
Pull down backrest (cars up to 09/03 only)	---
Rear seat backrest parts on both sides (cars up to 09/03 only)	52 26 008
Trim for rear window shelf (cars up to 09/03 only)	51 46 001

3. Installation and cabling diagram

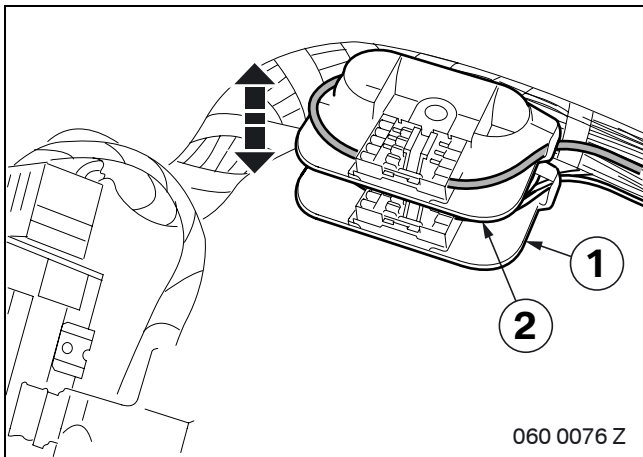


060 0356 Z

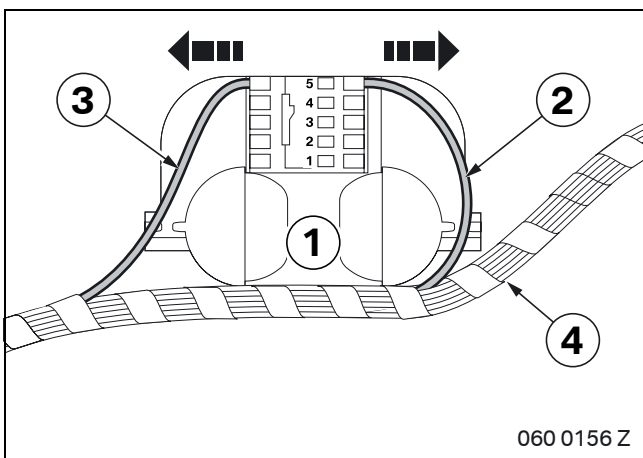
Legend

- A Eject box
- C Telematics control unit (TCU)
- D Bluetooth aerial (for cars built before 09/03 only)
- D* Bluetooth aerial (for cars built after 09/03 only)
- F Hands-free microphone
- G Emergency call button

4. To connect the fibre optic cables

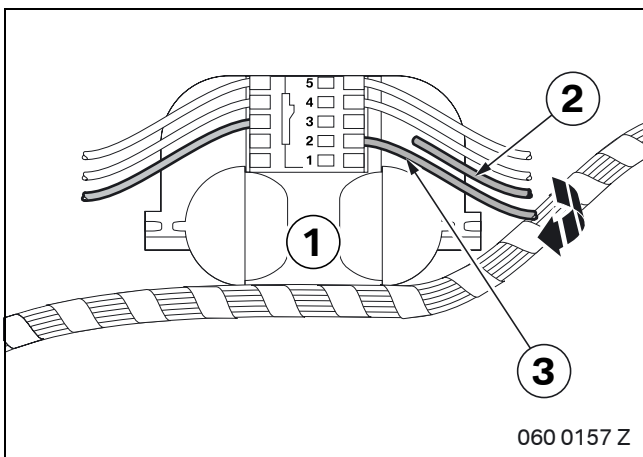


Release the telephone distributor station (2) from the car distributor station (1) behind the left boot trim.

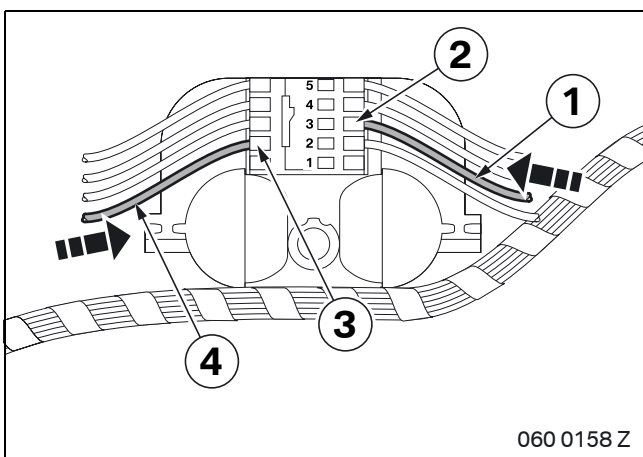


Disconnect the fibre optic cables (2 and 3) from the telephone distributor station (1).

Remove the telephone distributor station (1) from the wiring harness (4) (no longer required).



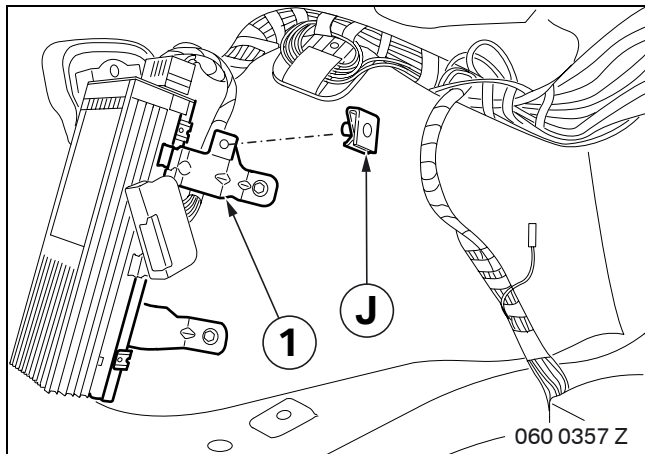
Disconnect the lowest fibre optic cable (1) from the main distributor station (1) and connect it to the empty slot below it (3).



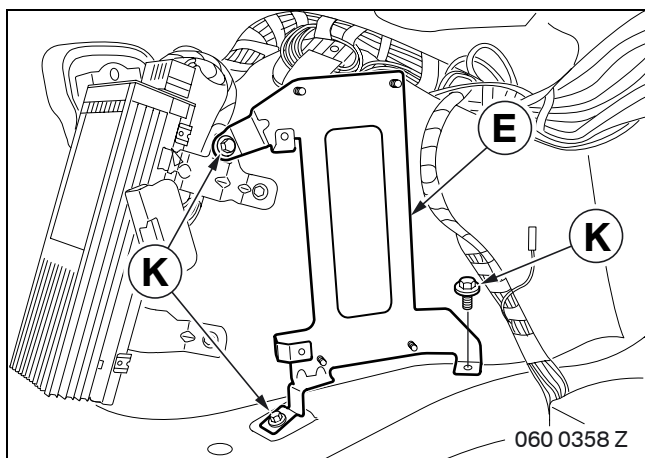
Connect the disconnected fibre optic cable (1) from the telephone distributor station to the now vacant slot (2).

Connect the fibre optic cable (4) from the telephone distributor station into the slot (3).

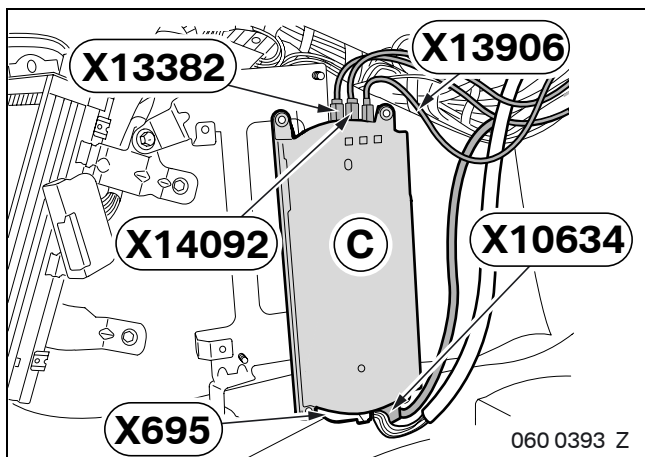
5. To install and connect the telematics control unit



Place a speed nut **J** on the holder (1).



Secure the holder **E** using hexagonal screws **K**.

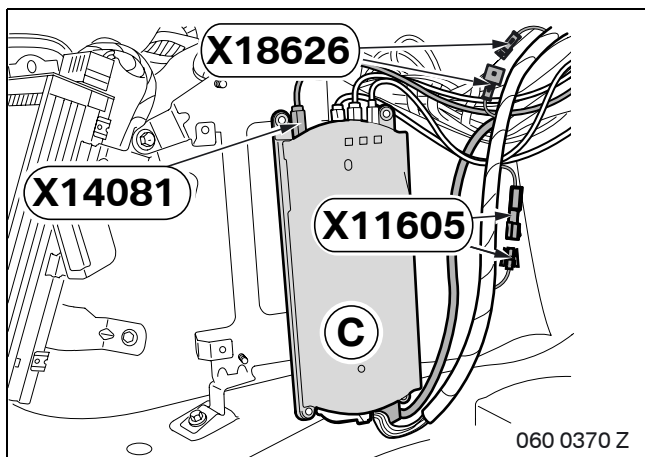


Connect the aerial plug **X13906** SW and **X14092** VI to the telematics control unit **C**.

Connect plug **X695** WS and plug **X10634** SW to telematics control unit **C**.

Cars without SA 606/609 only

Connect aerial plug **X13382** BL to the telematics control unit **C**.

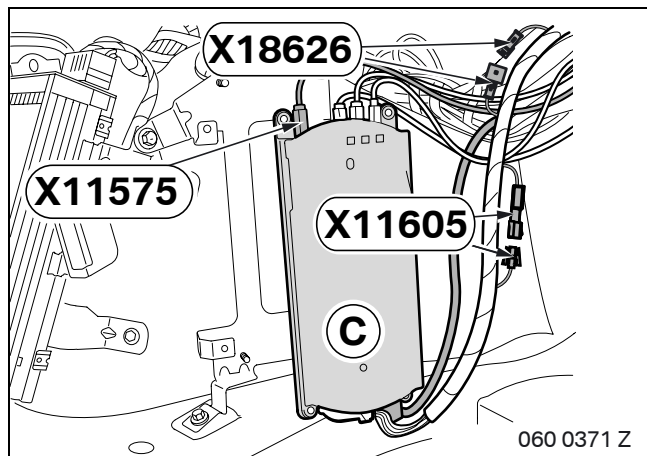


Cars before 09/03 only

Connect plug **X14081** WS to the telematics control unit **C**.

Disconnect and tie back plugs **X18626** and **X11605**, if they exist.

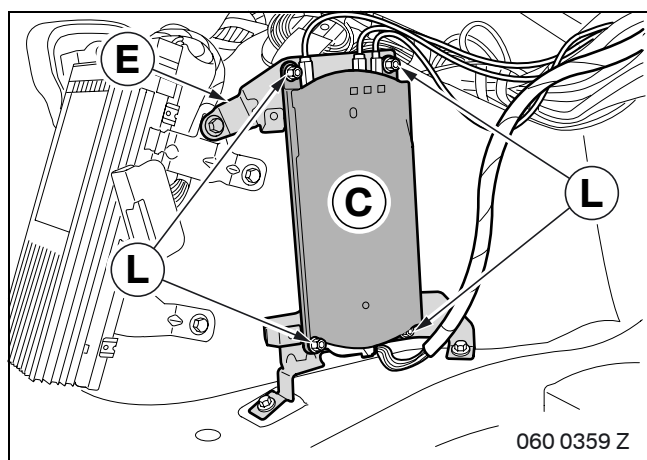
5. To install and connect the telematics control unit



Cars after 09/03 only

Connect plug **X11575** WS to the telematics control unit **C**.

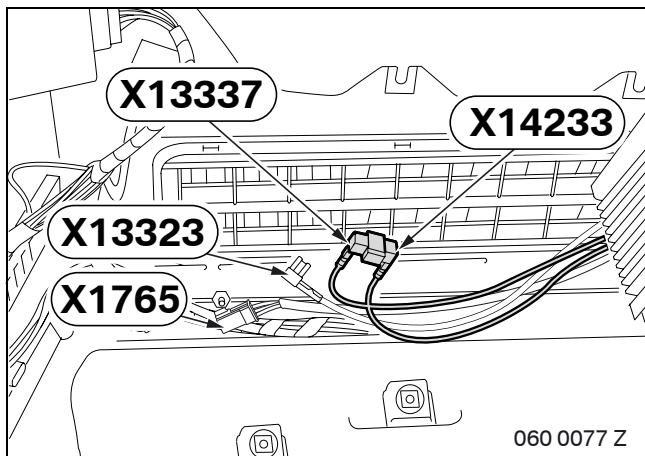
Disconnect and tie back plugs **X18626** and **X11605**, if they exist.




All cars

Use hexagonal nuts **L** to screw the telematics control unit **C** to the holder **E**.

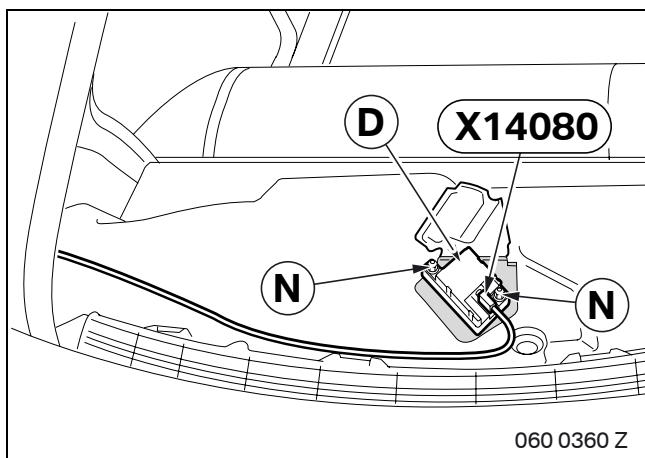
6. To install and connect the aerials



Connect plug **X13337** and plug **X14233** together.

 Make sure that plug **X13337** from the roof aerial has continuity with plug **X14233** to the telematics control unit. ◀

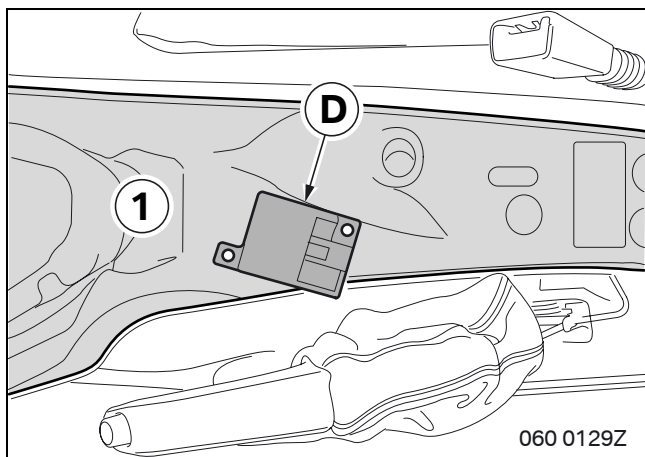
Tie back aerial plug **X13323** SW and plug **X1765** SW.



Cars before 09/03 only

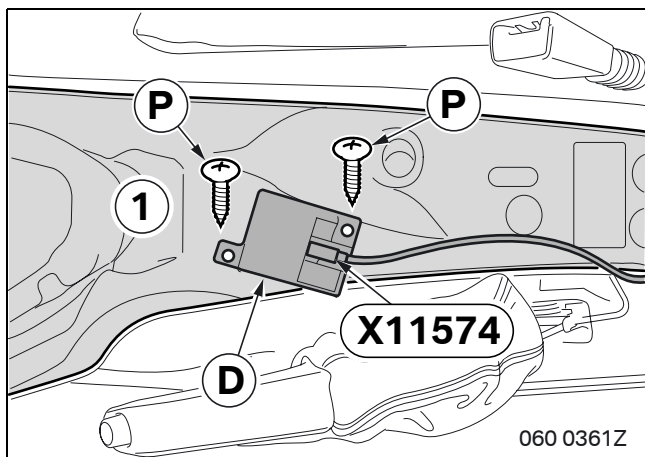
Cut out the sound insulation around the installation site for the Bluetooth aerial **D**.

Use cap nut **N** to secure the Bluetooth aerial **D** and connect plug **X14080**.



Cars after 09/03 only

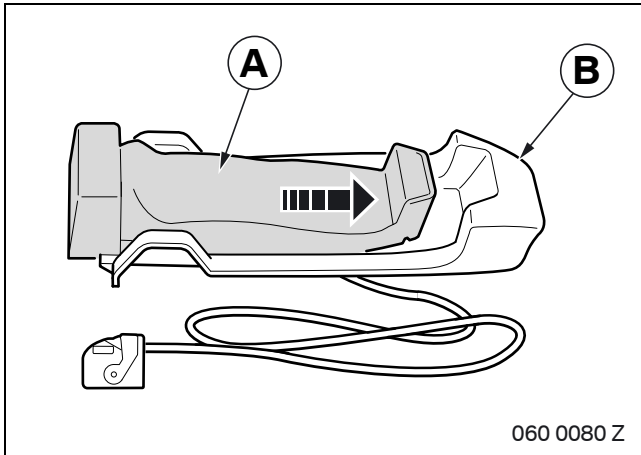
Place the Bluetooth aerial **D** on the air duct (1), mark the hole pattern and drill the holes with a 2.5 mm drill bit.



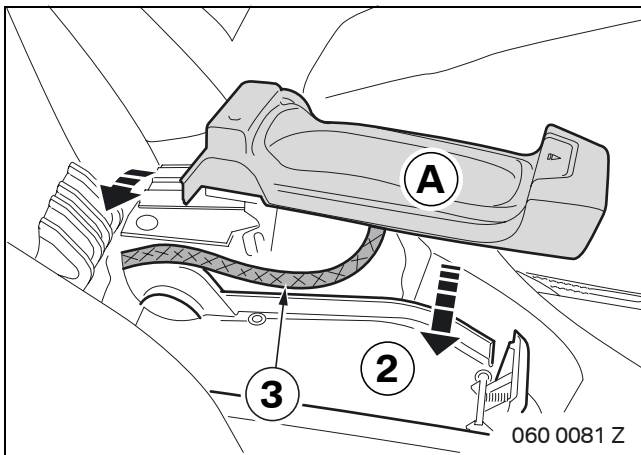
Use self-tapping screws **P** to secure Bluetooth aerial **D** to the air duct (1).

Connect plug **X11574**.

7. To install and connect the eject box

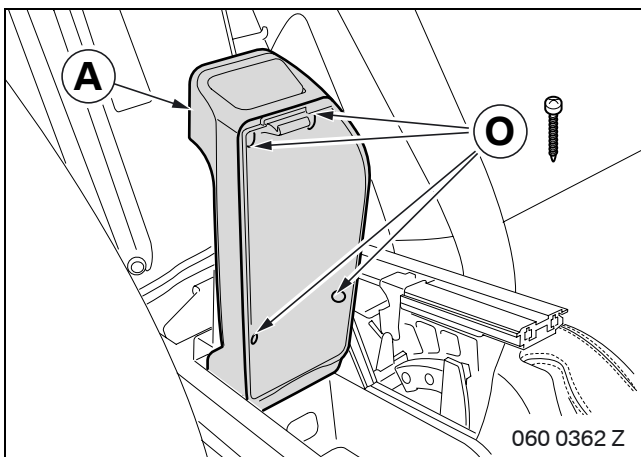


Insert the eject box **A** into the telephone mounting **B**.

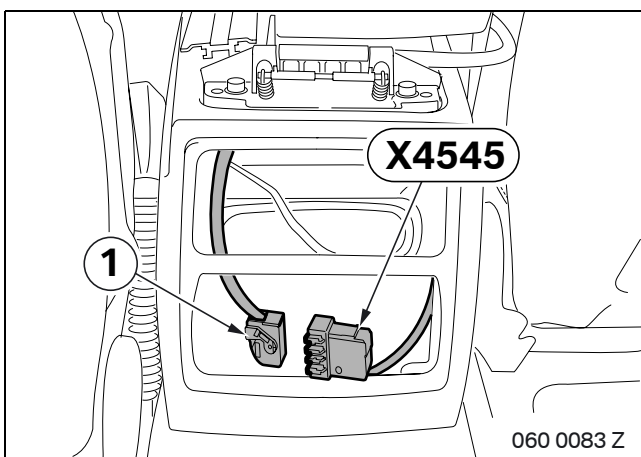


Route the cable (3) from the eject box **A** to the rear through the oddments tray.

Place the eject box **A** in the mounting (2).

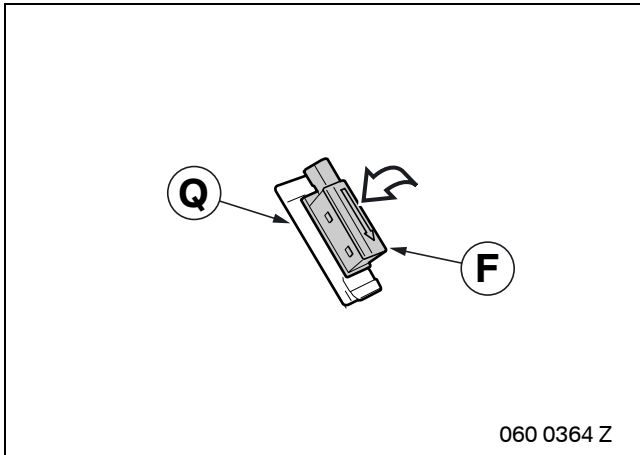


Secure the eject box **A** with fillister head screws **O**.

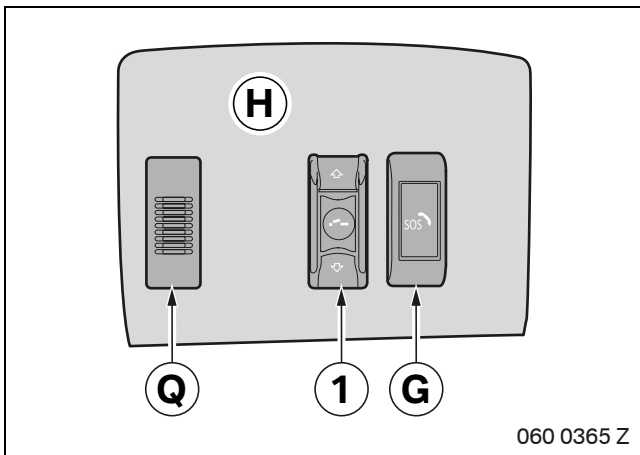


Connect plug **X4545** to the eject box plug (1).

8. To install and connect the emergency call button and hands-free microphones




Clip hands-free microphone **F** into the hands-free microphone trim **Q**.

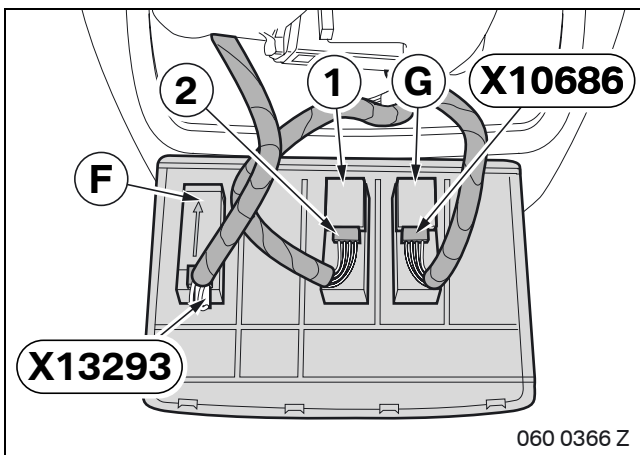


Cars with SA 403 only

Unclip the sunroof button (1) from the old trim.

 The arrow on hands-free microphone **R** must point to the front of the car. ◀

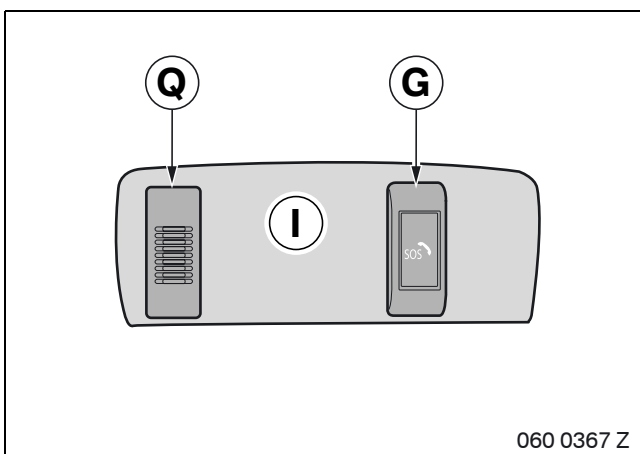
Clip the hands-free microphone trim **Q**, the sunroof button (1) and the emergency call button **G** into headlining trim **H**.




Connect the plug (2) to the sunroof button (1).

Connect the tied back plug **X13293** to the hands-free microphone **F**.

Connect tied-back plug **X10686** to emergency call button **G**.

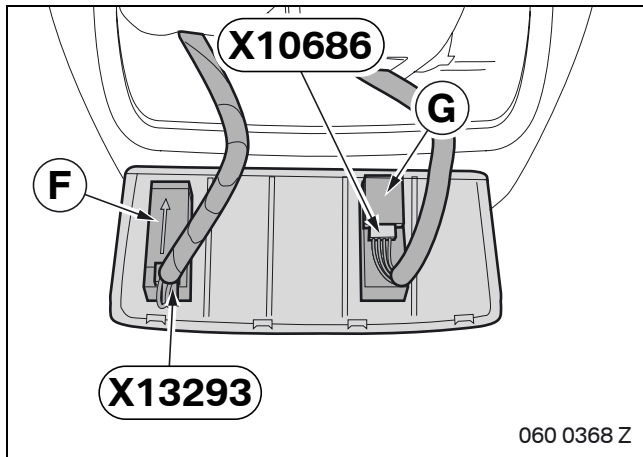


Cars without SA 403 only

 The arrow on hands-free microphone **F** must point to the front of the car. ◀

Clip the hands-free microphone trim **Q** and emergency call button **G** into headlining trim **I**.


8. To install and connect the emergency call button and hands-free microphones




Connect the tied back plug **X13293** to the hands-free microphone **F**.

Connect tied-back plug **X10686** to emergency call button **G**.


9. Concluding work and coding

 This upgrade system requires coding. ◀


- Connect the battery
- Encode the upgrade using DISPlus or GT-1 via path **CIP**
- Conduct a brief test
- Register the handset (see section 10)

 If the menu point “Communication settings” is not displayed, the handset must be registered using DISPlus or GT-1 using the diagnostics menu using passkey 0123456789. ◀

- Re-assemble the car

 The circuit diagram for the telephone preparation (SA 640) is available in DISPlus or GT-1 if required. ◀

10. To register the handset

 The registration can only be carried out if the encoding has been successful. ◀

After installing the Professional car phone upgrade, the handset must be registered with the TCU as follows:

- Take the handset out of the mounting and switch it off
- Turn the ignition key to the 2 position
- Open the start menu by pressing the “**MENU**” button on the controller
- Open the “**INFO**” menu by pressing the controller and select “**COMMUNICATIONS SETTINGS**”
- „Select “**BLUETOOTH**” and confirm this selection by pressing the controller (activation is indicated by a tick)
- Select “**PHONE/MODEM**” using the controller and confirm your selection by pressing it
- „Select “**BLUETOOTH REGISTRATION IN THIS MENU**” and confirm your selection by pressing the controller
- Switch on the handset. The handset will automatically go into connection mode (display “**SEARCHING**”). The handset will now search for a Bluetooth device
- The Control Display will show “**EXTERNAL DEVICE KNOCKING**”
- „Confirm “**ADD DEVICE**” by pressing the controller
- Enter the “**PASSKEY**” using the controller. This passkey can be freely selected and is confirmed by pressing the controller
- Enter the same passkey on the handset and confirm using “**OK**”
- A message will appear on the handset “**CONNECTION SUCCESSFUL**”, followed by “**INSERT SIM CARD**” or “**PLEASE WAIT**”
- The handset is not registered with the TCU
- Insert the SIM card and conduct a function test