



This Service Information bulletin supersedes SI B34 04 10 dated November 2010.

PERFORM THE PROCEDURE OUTLINED IN THIS SERVICE INFORMATION ON ALL AFFECTED VEHICLES BEFORE CUSTOMER DELIVERY OR THE NEXT TIME THEY ARE IN THE SHOP FOR MAINTENANCE OR REPAIRS.

Under the National Traffic and Motor Vehicle Safety Act of 1966, as amended, if there has been a recall campaign, dealers must assure that all new vehicles and new items of replacement equipment are free of safety defects and comply with all applicable Federal Motor Vehicle Safety Standards at the time of delivery to the consumer. This means that dealers may not deliver new motor vehicles or new items of replacement equipment to consumers unless the safety defect or noncompliance has been remedied before delivery.

NEW designates changes to this revision

SUBJECT

Recall Campaign 10V- 446: Inspect Brake Booster Vacuum Supply Line

MODEL

E60 (5 Series) with N62 or N62TU engines produced from August 8th, 2003 to November 30th, 2009

E63 and E64 (6 Series) with N62 or N62TU engines produced from September 30th, 2003 to November 30th, 2009

E65 and E66 (7 Series including BMW ALPINA B7) with N62, N62TU or N73TU engines produced from October 23, 2001 to July 24th, 2008

SITUATION

Engine oil may enter the brake booster vacuum supply line via the brake vacuum pump and contaminate the brake booster, which may result in damage to the membrane. In such cases, the membrane can develop leaks which could lead to reduced or no brake power assistance. It is then still possible to slow and stop the vehicle by applying greater force on the brake pedal.

AFFECTED VEHICLES

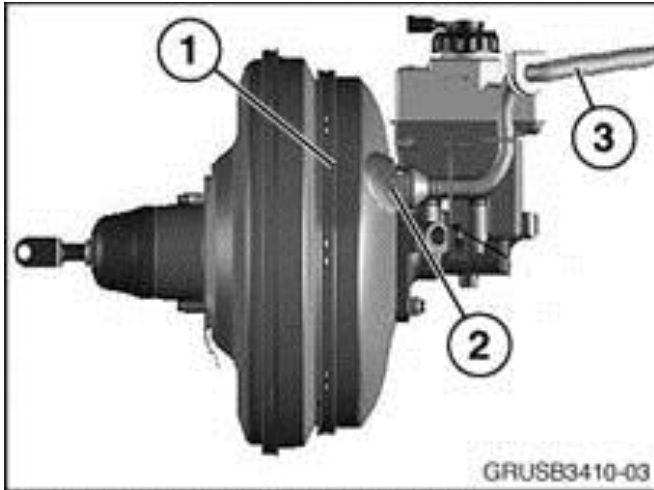
This Recall Campaign involves 5 Series (545i and 550i) which were produced from 08/08/2003 to 11/30/2009; 6 Series (645i and 650i) produced from 09/30/2003 to 11/30/2009 and 7 Series (745i/iL, 750i/iL, 760i/iL and ALPINA B7) which were produced from 10/23/2001 to 07/24/2008.

In order to determine whether a specific vehicle has had this Recall Campaign completed or is affected by this Recall Campaign, first check the B-pillar label for code number **580**. If code number **580** has been punched out, the campaign has already been performed. If code number **580** has not been punched out, it will be necessary to utilize the "Service Menu" of DCSnet (Dealer Communication System) or the Key Reader. Based on the response of the system, either proceed with the corrective action or take no further action.

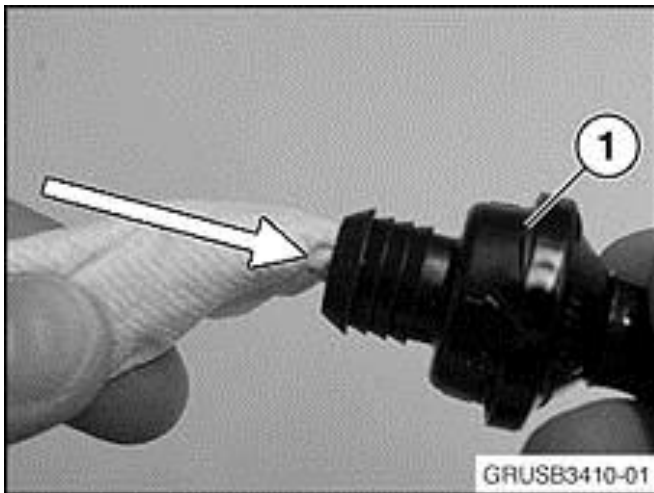
CORRECTION

The updated brake booster vacuum supply line with fluid check valve is to be installed in all applicable vehicles to eliminate future contamination. If oil contamination is found during the inspection, the brake master cylinder and brake booster must be replaced as well.

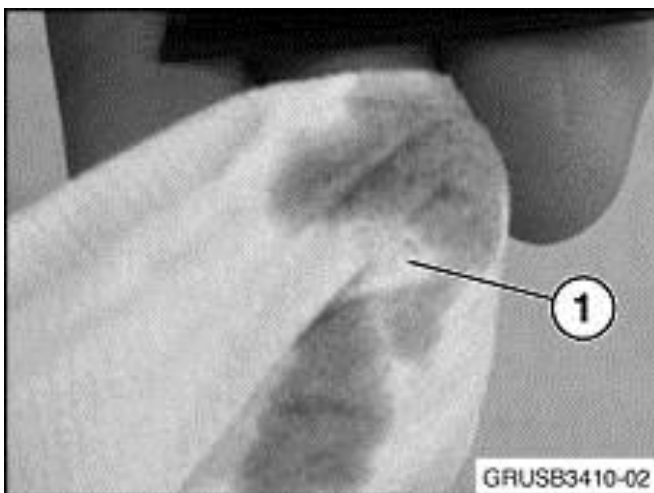
PROCEDURE



1. Remove the brake booster vacuum supply line (3) together with the non-return valve (2) from the brake booster (1).



2. Check the brake booster vacuum supply line at the non-return valve upstream from the brake booster for contamination of oil. Insert a tightly rolled up corner of a non-reusable lint free white shop towel (see arrow) into the non-return valve (2). If the towel does not indicate any engine oil residue, proceed to step 4.



3. If the line exhibits contamination with engine oil, proceed to step 5.

4. Replace the following components only if oil contamination is **NOT** found. Refer to the applicable parts list for each model.
 - Vacuum supply line and clamp. Refer to Repair Instruction REP 11 66 000 Removing and installing vacuum pump (vacuum pipe and clamp installation).
5. Replace the following components only if oil contamination is found. Refer to the applicable parts list for each model.
 - Brake master cylinder and o-ring. Refer to Repair Instruction REP 34 31 505 Removing and installing or replacing brake master cylinder.
 - Brake servo unit and seal. Refer to Repair Instruction REP 34 33 505 Removing and installing or replacing brake booster.
 - Vacuum supply line and clamp. Refer to Repair Instruction REP 11 66 000 Removing and installing vacuum pump (vacuum pipe and clamp installation).

PARTS INFORMATION

Use the parts described below only if oil contamination is NOT found during the inspection, as directed in step 4.

E60, E63 and E64 with N62 or N62TU engine

Part Number	Description	Quantity
11 15 1 726 339	Vacuum pipe clamp	1
11 66 7 611 336	Vacuum pipe	1

E65 and E66 with N62 or N62TU engine

Part Number	Description	Quantity
11 15 1 726 339	Vacuum pipe clamp	1
11 66 7 611 337	Vacuum pipe	1

E65 and E66 with N73TU engine

Part Number	Description	Quantity
11 15 1 726 339	Vacuum pipe clamp	1
11 66 7 611 339	Vacuum pipe	1

Use the parts described below only if oil contamination is found during the inspection, as directed in step 5.

E60, E63 and E64 with N62 or N62TU engine

Part Number	Description	Quantity
11 15 1 726 339	Vacuum pipe clamp	1
34 33 6 753 979	Brake booster seal	1
34 33 6 797 659	Brake booster	1
34 33 6 797 658	Brake master cylinder	1

NEW 11 66 7 611 336 Vacuum pipe 1

E65 and E66 with N62 or N62TU engine

Part Number	Description	Quantity
11 15 1 726 339	Vacuum pipe clamp	1
34 33 6 753 979	Brake booster seal	1
34 33 6 797 657	Brake booster	1
34 33 6 797 650	Brake master cylinder	1
11 66 7 611 337	Vacuum pipe	1

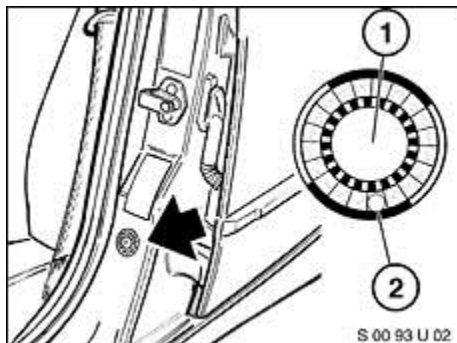
E65 and E66 with N73TU engine

Part Number	Description	Quantity
11 15 1 726 339	Vacuum pipe clamp	1
34 33 6 753 979	Brake booster seal	1
34 33 6 797 657	Brake booster	1
34 33 6 797 650	Brake master cylinder	1
11 66 7 611 339	Vacuum pipe	1

IMPORTANT:

Prior to the brake booster installation make sure that all transportation packaging materials (e.g. yellow foam securing the push-rod inside booster cavity) are removed.

LABEL INSTRUCTIONS



This Recall Campaign has been assigned code number **580**. After the vehicle has been checked and/or corrected, obtain a label (SD 92–380) and:

- Emboss your BMW center warranty number in the middle of the label (1);
- Punch out code number **580** (2), printed on the label; and
- Affix the label to the **B**-pillar as shown.

If the vehicle already has a label from a previous Service Action/Recall Campaign, affix the new label next to the old one. Do not affix one label on top of another one, because a number from an underlying label could appear in the punched-out hole of the new label.

WARRANTY INFORMATION

The repair described in this bulletin is covered under warranty regardless of time or mileage. Reimbursement for this Recall will be via normal claim entry utilizing the following information:

Defect Code: 00 34 91 01 00

Labor Operation:	Labor Allowance:	Description:
00 59 055*	E60	7 FRU
	E63 & E64	9 FRU
	E65 & E66 (N62 & N62TU)	10 FRU
	E65 & E66 (N73)	13 FRU
00 59 056*	E60	29 FRU
	E63 & E64 (manual transmission)	30 FRU
	E63 & E64 (automatic transmission)	29 FRU
	E65 & E66 (N62 & N62TU)	32 FRU
	E65 & E66 (N73)	37 FRU
Sublet Allowance	BMW Brake Fluid **	PN 81 22 0 142 156 Qty = 3 (12 oz.)

Sublet Code 4

* Main Work – Only one main labor operation (ending with 000-499) may appear on any claim or group of claims (warranty, maintenance or campaigns) that are generated from the same repair visit.

All other labor operations on the same line or other lines must be claimed using plus code labor operations (KSD2 labor operations that have a (+) prefix and the last three digits are 500 or a higher number).

**Reimbursement may be charged to sublet code 4 for the necessary amount of brake fluid required to perform the repair. Claiming more than the amount listed above or claiming outside of sublet code 4 will result in a delayed or denied claim payment.

ATTACHMENTS

view PDF attachment [B340410 Customer Letter](#).

[Copyright © 2010 BMW of North America, LLC]