

# Parts and Accessories. Installation Instructions.



## Auxiliary connector retrofit for external audio sources

**BMW 5 Series (E60, E61)**

**BMW 6 Series (E63, E64)**

**Retrofit kit No.** 65 12 0 153 502

### Installation time

The installation time is 1.0 hours, but this may vary depending on the condition of the car and the equipment in it.

### Important information

These installation instructions are primarily designed for use within the BMW dealership organisation and by authorised BMW service companies.

In any event the target group for these installation instructions is specialist personnel trained on BMW cars with the appropriate specialist knowledge.

All work must be completed using the latest BMW repair manuals, circuit diagrams, servicing manuals and work instructions in a rational order using the prescribed tools (special tools) and observing current health and safety regulations.

**To avoid unnecessary extra work and/or costs, if any installation or function problems occur, after a brief troubleshooting session (approx. 0.5 hours), an inquiry is to be sent straight away to the technical parts support via the Aftersales Assistance Portal (ASAP), quoting the chassis number, the part number of the retrofit kit and a precise description of the problem.**

Before you install the retrofit system, test the control module status with the CIP (coding, customising, programming) test program. If the test detects incorrect statuses in one or more control modules, these must be updated first using the "Load software" function.


After the installation work the retrofit kit must be programmed / coded using DISPlus or GT-1 via the **Retrofit/CIP** path.

Do not archive the hard copy of these installation instructions since daily updates are made by ASAP.

All the figures show LHD cars, proceed in exactly the same way on RHD cars.

See ASAP for details of the pictograms.

### Pictograms

 denotes instructions that draw your attention to special features.

◀ denotes the end of the instruction or other text.

Subject to technical modifications.

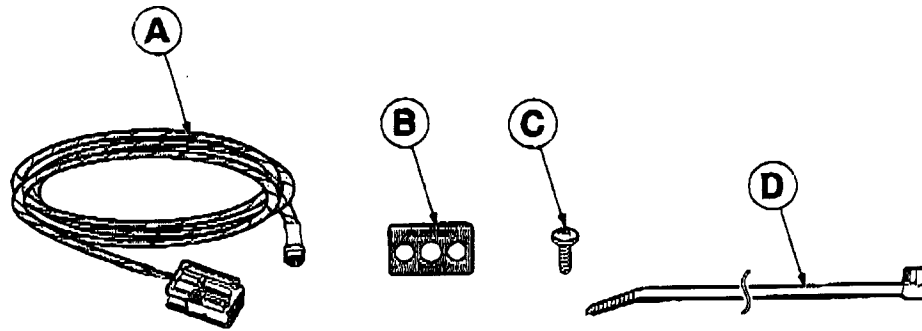
### Special tools required

None

## Contents

Section	Page
1. Parts list .....	3
2. Preparations.....	4
3. Connection diagram.....	5
4. To install and connect the AUX connector wiring harness in E60 and E61 cars .....	6
5. To install and connect the AUX connector wiring harness in E63 and E64 cars .....	7
6. Concluding work and coding .....	8
7. Circuit diagram .....	9

## 1. Parts list



061 0115 Z

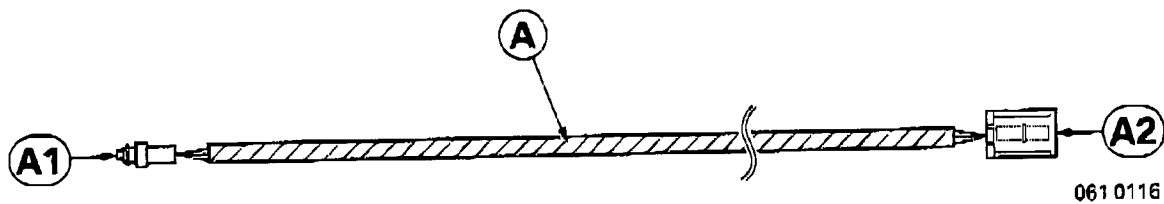
### Legend

- A AUX connector wiring harness
- B Mounting plate
- C Philips screw (2x)
- D Cable tie (5x)

## 2. Preparations

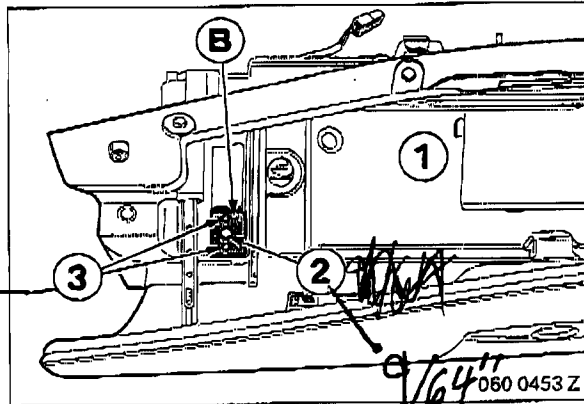
	TIS No.
Conduct a brief test	---
Disconnect the negative pole of the battery	12 00 ...
<b>The following components must be removed first of all:</b>	
Glove box on the right	51 16 360
M-ASK/CCC	65 83 010

**3. Connection diagram**



Item	Description	Signal	Cable colour / Cross-section	Connection location in the car	Abbreviation / Slot
A	AUX connector wiring harness	---	---	---	---
A1	Pawl socket 3.5 mm	---	---	In glove compartment	---
A2	SW 12-pin socket casing	---	---	Disconnected cables in radio plug X13813	X13813

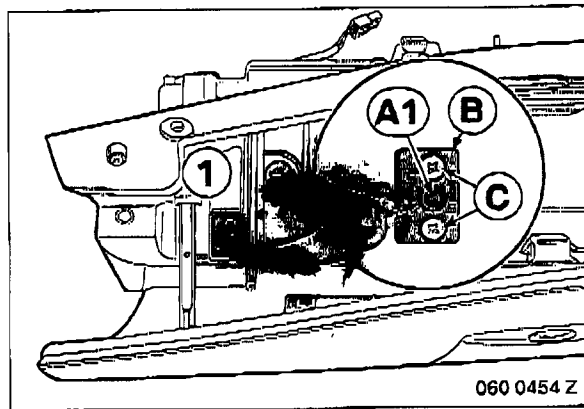
#### 4. To install and connect the AUX connector wiring harness in E60 and E61 cars



▶ All holes must be drilled precisely as shown in the illustration. ◀

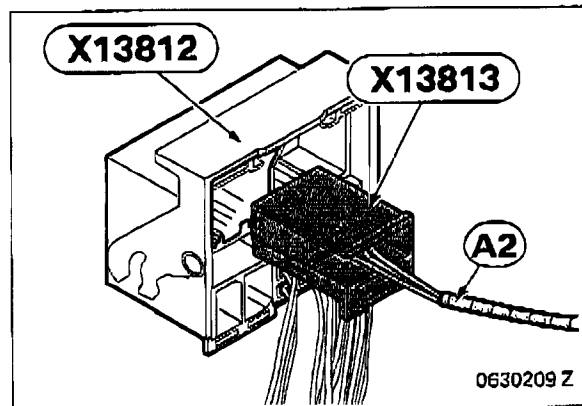
Place the mounting plate **B** in the glove compartment (1) and mark the position of the holes.

Drill the hole (2) with a 9 mm twist drill bit and holes (3) with a 2 mm twist drill bit in the glove compartment.



Insert branch **A1** in the glove compartment (1) and secure it to mounting plate **B** with a knurled nut (2).

Secure mounting plate **B** to the glove compartment (1) using Philips screws **C**.

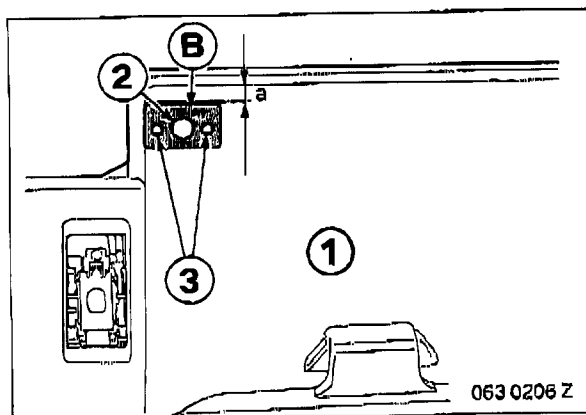


Disconnect the existing cables from branch **A2** and connect them to plug **X13813** :

- WS/BL cable to PIN 7
- WS/RT cable to PIN 2
- WS/BR cable to PIN 8

Connect plug **X13813** to plug **X13812**.

## 5. To install and connect the AUX connector wiring harness in E63 and E64 cars

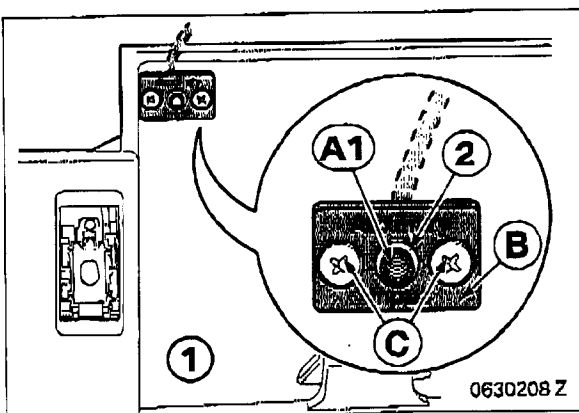


▶ All holes must be drilled precisely as shown in the illustration.

Place the mounting plate **B** in the glove compartment (1) and mark the position of the holes.

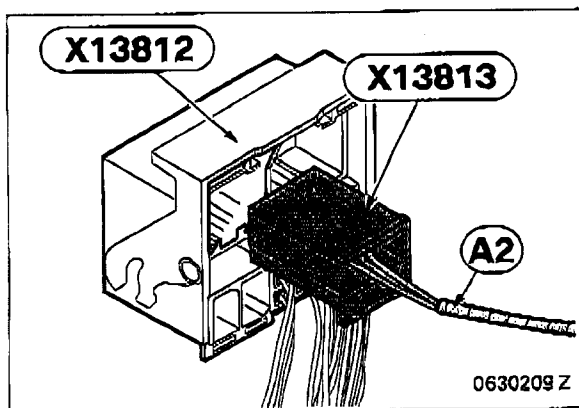
Dimension **a**: 10 mm

Drill the hole (2) with a 9 mm twist drill bit and holes (3) with a 2 mm twist drill bit in the glove compartment.



Insert branch **A1** in the glove compartment (1) and secure it to mounting plate **B** with a knurled nut (2).

Secure mounting plate **B** to the glove compartment (1) using Philips screws **C**.



Disconnect the existing cables from branch **A2** and connect them to plug **X13813**:

- WS/BL cable to PIN 7
- WS/RT cable to PIN 2
- WS/BR cable to PIN 8

Connect plug **X13813** to plug **X13812**.

## 6. Concluding work and coding

This retrofit system requires coding.

- Connect battery
- Encode/program the retrofit using DISPlus or GT-1 via path CIP
- Conduct a brief test
- Conduct a function test:
- Connect an external audio source to the pawl socket in the glove compartment
- Switch on the ignition and the main menu will appear in the on-board monitor
- Slide the controller downwards and select the "Entertainment" menu point
- Turn the controller clockwise, select the "AUX" menu point and confirm it
- Start the playback of the external audio source



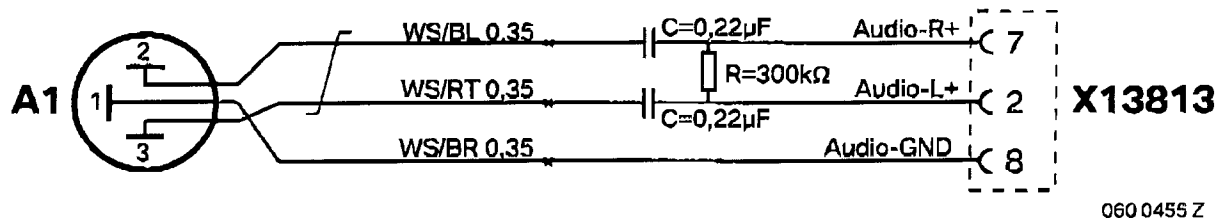
The volume and sound settings can be adjusted using the radio.

If the traffic bulletin feature is active, the audio signals from the external audio source will be interrupted when a traffic bulletin is broadcast. ◀

- Re-assemble the car



## 7. Circuit diagram



### Legend

A1 Pawl plug 3.5 mm  
 X13813 SW 12-pin socket casing

### Cable colours

BL	Blue
BR	Brown
GE	Yellow
GR	Grey
SW	Black
WS	White