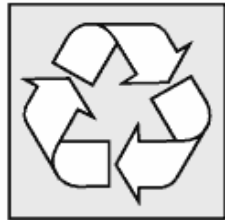


**Warning!**

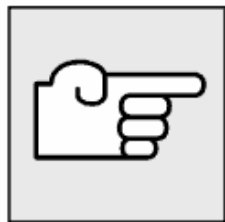
Danger of scalding!

Only perform these tasks on an engine that has cooled down.

*Recycling:*

Catch and dispose of drained coolant.

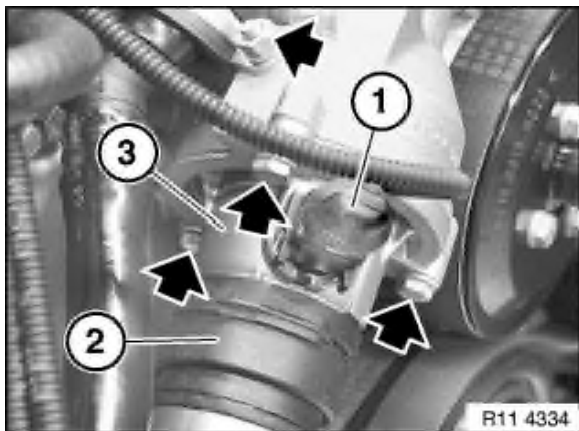
Observe country-specific waste-disposal regulations.



Follow instructions for working on cooling system.

Remove front underbody protection.

Remove coolant drain plug on radiator. Drain and dispose of coolant.

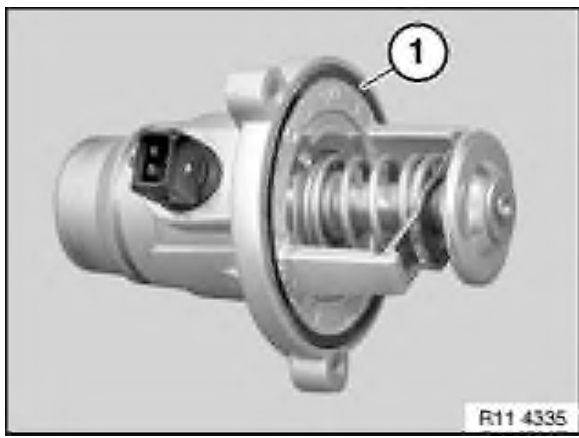


Unlock plug (1) and remove.

Unlock and detach water hose (2).

Unfasten nut.

Release screws and remove coolant thermostat (3).



Note:

Coolant thermostat is integrated in cover and can only be replaced as a complete unit.

Clean sealing surfaces.

Replace sealing ring (1).

Installation:

Top up coolant.

Vent cooling system and check for leaks.