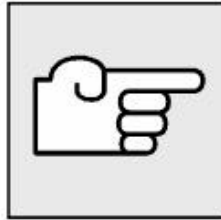
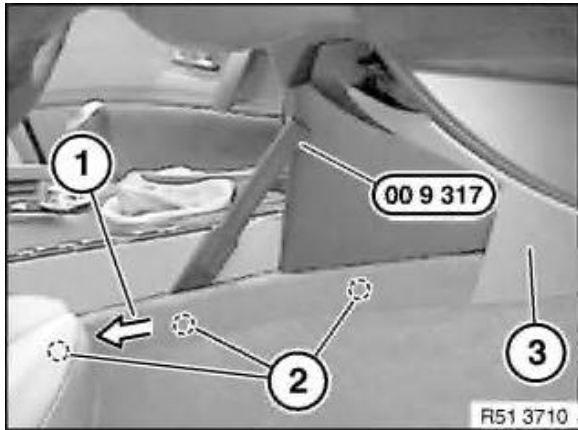
**Special tools required:**

- 00 9 317

*Note:*

Move front passenger seat completely towards rear.

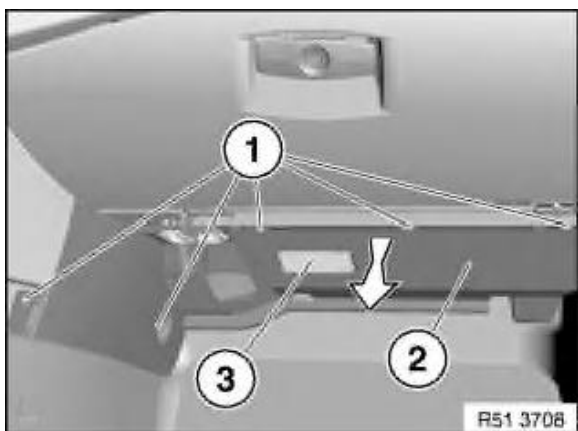


Drive bottom trim (1) towards rear with special tool 00 9 317 and remove.

Installation:

Make sure bottom trim (1) is correctly seated at retaining points (2).

Feed bottom trim (1) correctly into bottom right trim for instrument panel (3).



Release screws (1).

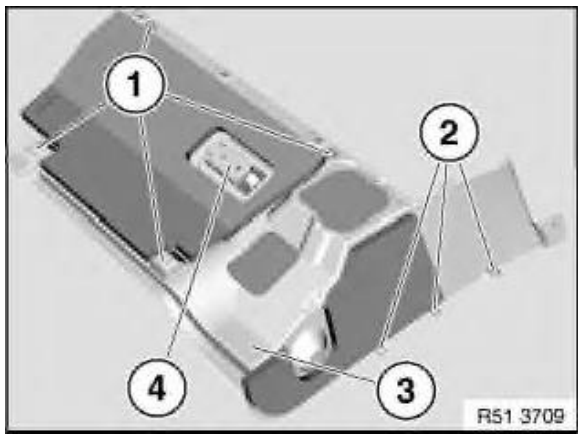
Important!

Carefully remove bottom right trim for instrument panel.

Move bottom right trim for instrument panel (2) slightly forwards and feed out towards rear.

Disconnect plug connection of footwell light (3).

Remove bottom right trim for instrument panel (2).



Installation:

Mounts (1) and guides (2) of bottom right trim for instrument panel (3) must not be damaged.

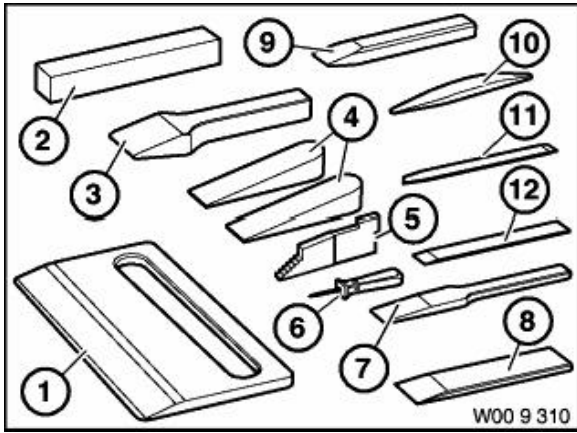
Make sure mounts (1) are correctly seated.

Replacement:

- Remove footwell light (4).

00 9 310 Assembly wedges (13)

Minimum set: Mechanical tools



Note:

For straightening and assembly jobs on vehicle bodies, e.g. fitting trim panels, removing window weatherstrips, repairing small-scale dents, removing residual adhesive materials, measuring gap widths, levering out trim panel parts

Series:

E12, E21, E23, E24, E28, E30, E30/C, E30tou, E31, E32, E32/3, E34, E34tou, E36, E36/2, E36/3, E36/5, E36/7, E36/C, E36tou, E38, E38/3, E39, E39PL, E39tou, E46, E46/16, E46/2, E46/3, E46/5, E46/C, E52, E53, E60, E61, E63, E64, E65, E66, E67, E83, E85, R50, R53, RR1

SI number:

1 02 97(174)

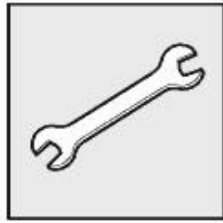
Order number:

00 9 310
Assembly wedges (13)

Consisting of:

1 = 00 9 311	Trim remover
2 = 00 9 312	Strike wedge, square
3 = 00 9 313	Striking wedge, large
4 = 00 9 314	Adjusting wedges (2 x)
5 = 00 9 315	Gap wedge
6 = 00 9 316	Sealing lip wedge
7 = 00 9 317	Trim panel wedge
8 = 00 9 318	Universal wedge
9 = 00 9 319	Striking wedge, small
10 = 00 9 321	Fishbone
11 = 00 9 322	Adhesive wedge
12 = 00 9 323	Cleaning wedge (scraper)
00 9 329	Case with insert for assembly wedges

In conjunction with: 009310

**Special tools required:**

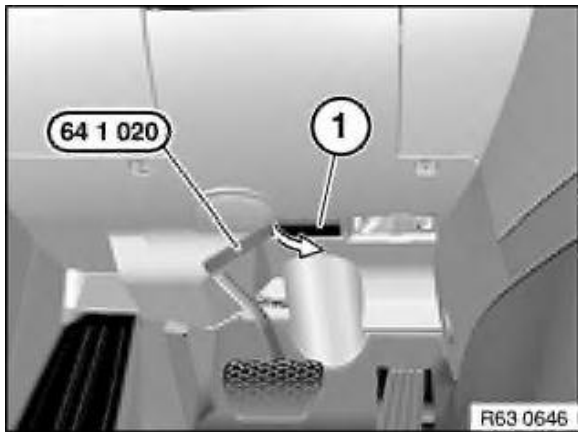
- 64 1 020

**Important!**

Follow instructions for handling light bulbs (interior lights).

Replacement:

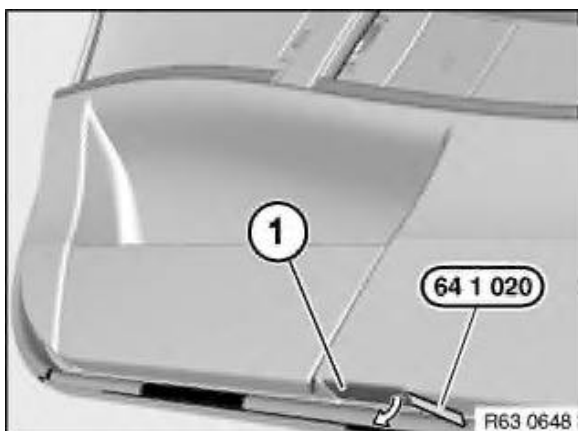
If necessary, remove bulb.

In footwell:

Lever out footwell light (1) with special tool 64 1 020 as illustrated. Disconnect associated plug connection and remove footwell light (1).

Replacement:

Note type of bulb.

On underside of door:

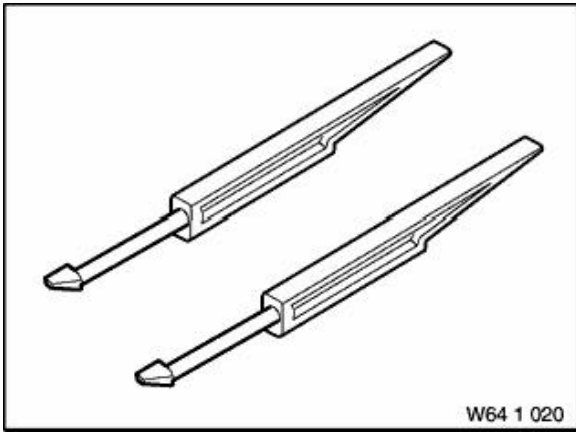
Lever out footwell light (1) with special tool 64 1 020 as illustrated. Disconnect associated plug connection and remove footwell light (1).

Replacement:

Note type of bulb.

64 1 020 Release hook

Minimum set: Mechanical tools



Note:

For releasing and removing fresh air grilles -
Model series: E53 For levering out various
trims - Model series: all

Series:

All models

SI number:

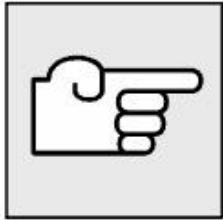
1 15 99(483)

Order number:

64 1 020
Release hook

**Caution!**

To prevent short-circuiting, disconnect light bulbs from voltage supply prior to replacement.



Do not touch the glass bulbs in new lights bulbs as even the slightest contamination will burn in and reduce bulb service life.

Only touch light bulbs with clean gloves or a clean cloth.

Do not expose light bulbs to mechanical vibrations.

Use only recommended light bulbs.

Follow the light bulb manufacturer's instructions without fail.

63 31 Interior Lights E60

Reading light, front	Type	12V 6W
Reading light, rear	Type	12V 6W
Interior light, front	Type	12V 6W
Interior light, rear	Type	12V 6W
Trunk light	Type	Festoon 12V 10W
Glovebox light	Type	Festoon 12V 5W
Footwell light trim	Type	Festoon 12V 5W
Footwell light door	Type	Festoon 12V 5W
Make-up mirror light, front	Type	Festoon 12V 10W