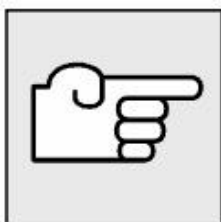
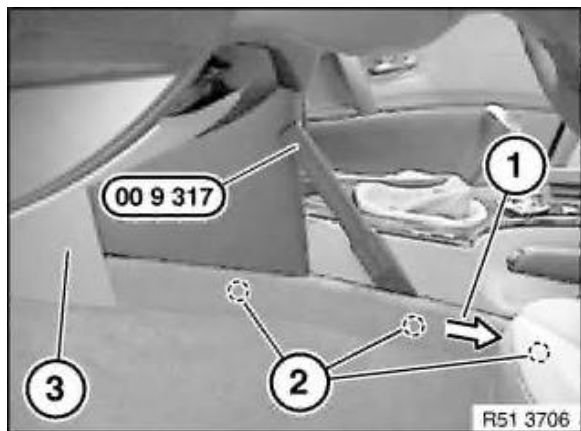
**Special tools required:**

- 00 9 317

*Note:*

Move driver's seat completely towards rear.

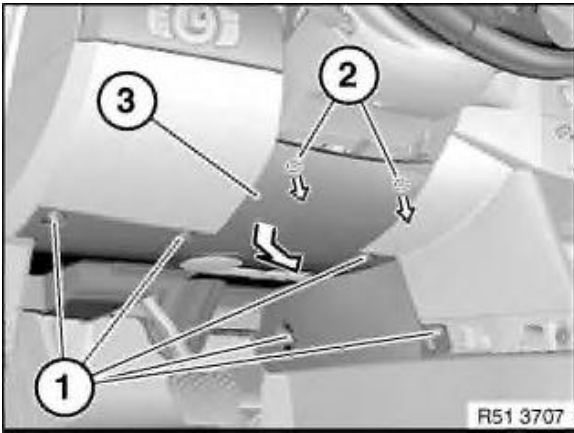


Drive bottom trim (1) towards rear with special tool 00 9 317 and remove.

Installation:

Make sure bottom trim (1) is correctly seated at retaining points (2).

Feed bottom trim (1) correctly into trim for pedal assembly (3).

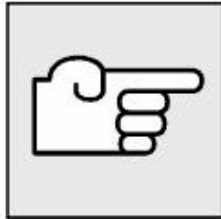


Release screws (1).

Unclip trim for pedal assembly (3) at retaining points (2) in direction of arrow.

Pull back trim for pedal assembly (3).

Disconnect associated plug connections and remove trim for pedal assembly (3).

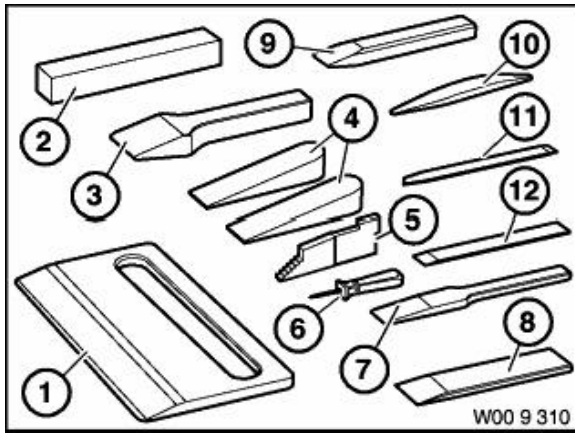


Replacement:

- Remove speaker for hands-free system
- Remove footwell light

00 9 310 Assembly wedges (13)

Minimum set: Mechanical tools



Note:

For straightening and assembly jobs on vehicle bodies, e.g. fitting trim panels, removing window weatherstrips, repairing small-scale dents, removing residual adhesive materials, measuring gap widths, levering out trim panel parts

Series:

E12, E21, E23, E24, E28, E30, E30/C, E30tou, E31, E32, E32/3, E34, E34tou, E36, E36/2, E36/3, E36/5, E36/7, E36/C, E36tou, E38, E38/3, E39, E39PL, E39tou, E46, E46/16, E46/2, E46/3, E46/5, E46/C, E52, E53, E60, E61, E63, E64, E65, E66, E67, E83, E85, R50, R53, RR1

SI number:

1 02 97(174)

Order number:

00 9 310
Assembly wedges (13)

Consisting of:

- | | |
|---------------|--------------------------------------|
| 1 = 00 9 311 | Trim remover |
| 2 = 00 9 312 | Strike wedge, square |
| 3 = 00 9 313 | Striking wedge, large |
| 4 = 00 9 314 | Adjusting wedges (2 x) |
| 5 = 00 9 315 | Gap wedge |
| 6 = 00 9 316 | Sealing lip wedge |
| 7 = 00 9 317 | Trim panel wedge |
| 8 = 00 9 318 | Universal wedge |
| 9 = 00 9 319 | Striking wedge, small |
| 10 = 00 9 321 | Fishbone |
| 11 = 00 9 322 | Adhesive wedge |
| 12 = 00 9 323 | Cleaning wedge (scraper) |
| 00 9 329 | Case with insert for assembly wedges |
- In conjunction with: 009310