*Necessary preliminary tasks:*

- Remove wheels.
- If necessary, remove and clean brake linings.

Observe safety instructions on raising the vehicle.

**Important!**

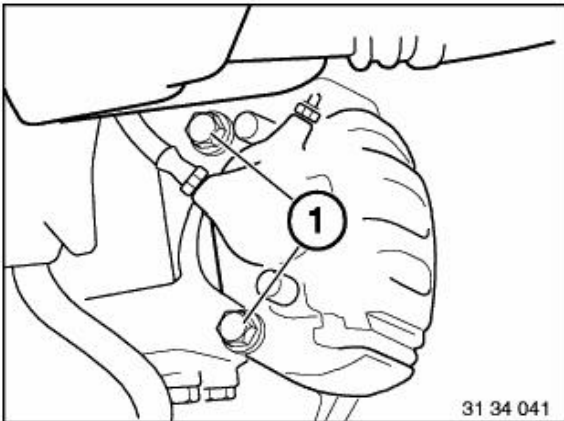
If the thickness of the brake disks drops below the minimum brake disk thickness (MIN TH) , then the brake disks must be replaced.

Brake disks may only be replaced in pairs (on each axle).

If the brake disks are replaced, you must also fit new brake linings.

The brake disks of M models are tied to the direction of travel:

The uneven part number denotes the left brake disk, the even part number the right brake disk!



Release screws (1), remove brake caliper and tie up.

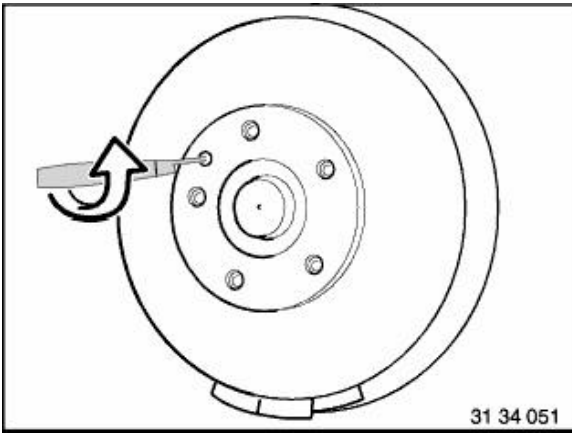
Note:

Brake hose remains connected.

If the brake hose was pulled from the mounting fixture during removal, make sure it is positively attached when installed!

Installation:

Tightening torque, 34 11 2AZ .



Unscrew bolts and take off brake disk.

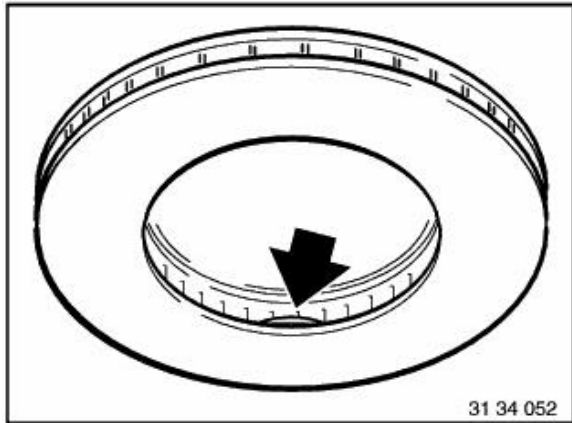
Important!

To release brake disk: Do not under any circumstances strike friction ring with a hammer or similar! If necessary, carefully tap on base of brake disk chamber with a rubber mallet.

Installation:

Clean contact surface of brake disk at wheel hub thoroughly; remove traces of corrosion if necessary. Unevenness on contact surface may result in distortion of brake disk!

Tightening torque 34 11 1AZ



Important!

Internally ventilated brake disks are balanced.

Never remove or reposition balance clips.

34 11 Front Brake E60

Different thicknesses on brake linings	max. mm	0.01
Surface roughness of braking surfaces (precision-turned)	Ra μ	0.5 ... 3.5
Brake disc diameter Models: 520i 525i	mm	310
Brake disc diameter Models: 530i 530d	mm	324
Brake disc diameter Models: 545i 645Ci	mm	348
Wear warning from residual lining thickness	mm	3.0
Brake disk minimum thickness (MIN TH) stamped on brake disk body Models: 520i 525i	mm	22.4
Brake disk minimum thickness (MIN TH) stamped on brake disk body Models: 530i 530d	mm	28.4
Brake disk minimum thickness (MIN TH) stamped on brake disk body Models:545i 645Ci	mm	28.4
Max. machining limit per friction ring side (M models must not be machined!)	mm	0.8

34 11 Front Brake

	Type	Thread	Tightening specification	Measure
1AZ Brake disk to wheel hub (contact faces between brake disk and wheel hub cleaned and grease-free)	All			16 Nm
2AZ Brake caliper to steering knuckle (screws lightly oiled, contact surfaces between brake caliper and steering knuckle cleaned and grease-free)	E34, E36, E32, E31, E38, E39, E46, E52, E53, E30 / 325ix, E65, E66, E67, E83, E85, E60, E63, E64			110 Nm
2AZ with aluminum brake caliper	E31			115 Nm
	E12, E21, E23, E24 to 5.82			95 Nm
	E28, E30, E24, from 5.82			123 Nm
3AZ Guide bolt	All	wrench size 7 mm		30 - 5 Nm
4AZ Bolts to guidepin (always replace)	E30			35 Nm
5AZ Protective plate to steering knuckle	E85, E83	M6		9 Nm
	E67, E60, E63, E64, E65, E66	M6		12 Nm