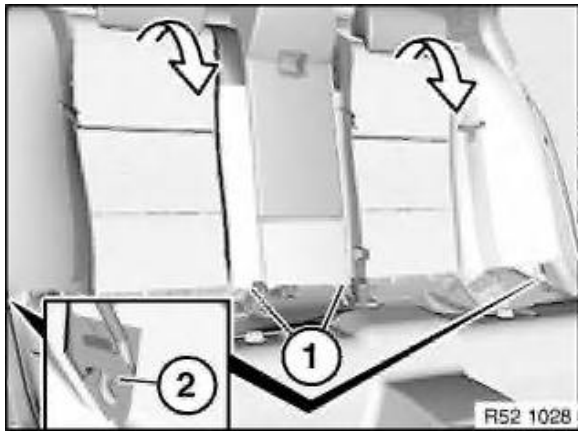
*Necessary preliminary tasks:*

- Remove rear seat
- Remove middle seat belt
- Open lock on rear seat back (emergency actuator)



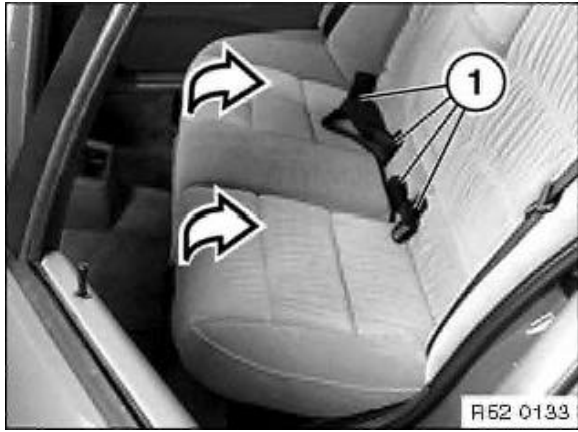
Release screws (1).

Feed backrest out of belts and lift out towards front.

Installation:

Pay attention to precise guidance (2).

Tightening torque: 52 24 1AZ .



Unclip rear seat on left/right towards top.

Lift out seat.

Installation:

Feed belt buckles (1) through designated openings into correct location.

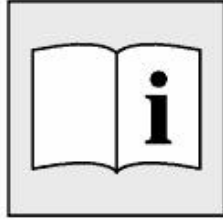
Guide lap belt behind seat edge upwards.

Make sure ISOFIX covers are correctly engaged.



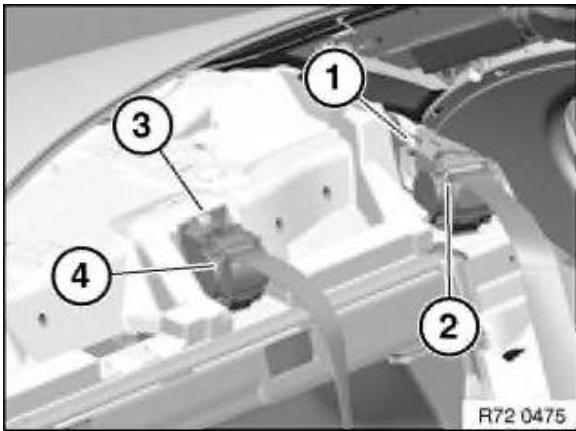
For op. ext. seat heating only:

Unfasten plug connection.



Necessary preliminary tasks:

- Remove panel for parcel shelf
- Remove rear seat



Removing left and right seat belts:

Release screw (1) from automatic reel (2) on left and right.

Tightening torques 72 11 1AZ .

Remove automatic reels (2) on left and right.

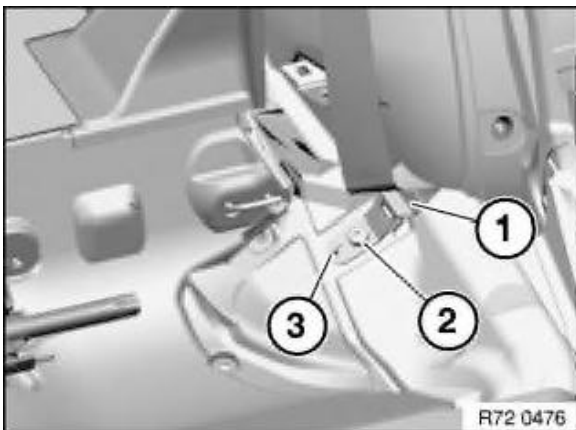
Release screw (3).

Tightening torques 72 11 1AZ .

Remove automatic reel (4).

Installation:

Guide lug of automatic reels (2 & 4) must be correctly seated in body opening.



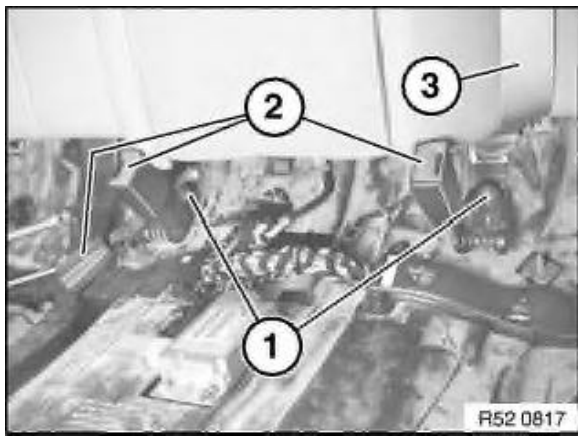
Release screws (2) on left and right.

Tightening torques 72 11 1AZ .

Remove left and right seat belts (1).

Installation:

Secure fittings of left and right seat belts (1) through guides (2) and stop (3).

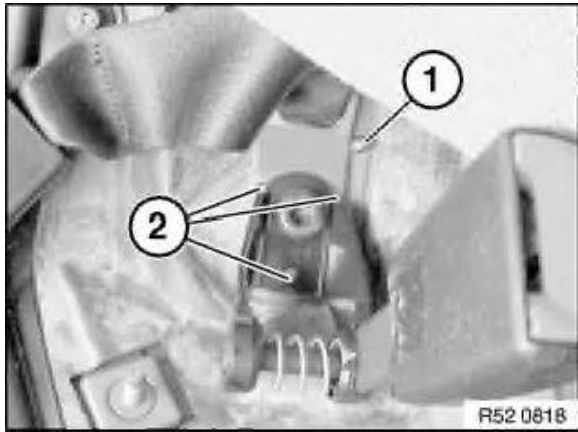


Removing middle seat belt:

Release screws (1).

Tightening torque 72 11 1AZ .

Remove lower straps (2) and center upper strap (3).



Installation:

Ensure correct installation sequence and installation position:

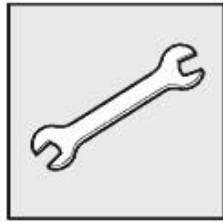
- Fittings of center lower strap/center upper strap must rest on stop (1).
- Secure lower strap on left and right through guides (2).

72 11 Seat Belts

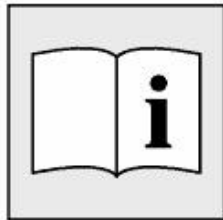
	Type	Thread	Tightening specification	Measure
1AZ Seat belt on body, except for B-pillar Automatic reel Lower strap End fitting	E36 / E31 / E38 / E39			48 Nm
	E46 / E52 / E53 / E65 / E66 / E85 / E60 / E63 /E83			31 Nm
Seat belt on B-pillar	All, except E53			31 Nm
Seat belt / seat belt catch tensioner to seat, on Touring also to back seat backrest	All, except E53, E52 / E64 / E65 / E66 / E85 / E60			48 Nm
2AZ Screws for seatbelt height adjustment on body	All, except E53 / E60			24 Nm
	E65 / E66			22 Nm
3AZ Seat belt to seat Install bolt with bolt cement.	E31			47 Nm
4AZ Seat belt to backrest	E31			24 Nm
5AZ Headrest to backrest	E31			24 Nm
6AZ Seat belt at belt height adjustment (reversing clip)	All			31 Nm
7AZ Tension relief between roller sun blind bracket and backrest lock bracket	E39/2			24 Nm
8AZ Retaining angle, belt buckle tensioner to seat rail	E46 / E85 / E83			24 Nm
9AZ Slide bar to body	E46 / E63			44 Nm
10AZ Counter-support plate to body, B- and C-pillars	E53			39 Nm

11AZ Seat belt to seat (end fitting)

	E53 / E46 Convertible / E64 / E65 / E66 / E85 / E60 / E83			45 Nm
12AZ Screw of seatbelt height adjuster to counter-support plate	E53			31 Nm
13AZ Belt buckle tensioner to seat	E53 / E52 / E63 / E64 / E83			45 Nm
	E60 / E65 / E66 / E85			31 Nm
14AZ Inertial reel unit to body / B-pillar	E53 / E60 / E63 / E83			31 Nm
15AZ Automatic reel on rear seat backrest	E53			45 Nm
	E83			35 Nm
16AZ Belt guide to front seat (reversing clip)	E46 Convertible / E64			4.5 Nm
17AZ Automatic reel to front seat backrest	E46 Convertible			39 Nm
	E64			31 Nm
18AZ Coupling gearing to centering pin	E46 Convertible / E64			2.5 Nm
19AZ Corner hoop to inner side panel	E83			4 Nm
	E63			3 ^{±0.5} Nm
20AZ Upper belt loop to body	E83			35 Nm
21AZ Automatic reel to body	E83			35 Nm

**Special tools required:**

- 00 9 317

*Necessary preliminary tasks:*

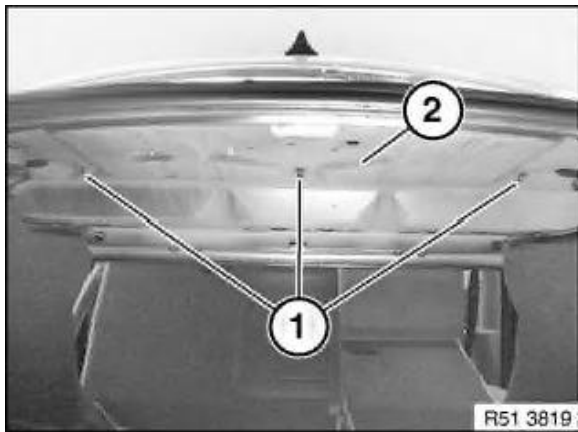
- Remove panel for roof pillar at front left/right

Version without through-loading system:

- Remove backrest for rear seat

Version with through-loading system:

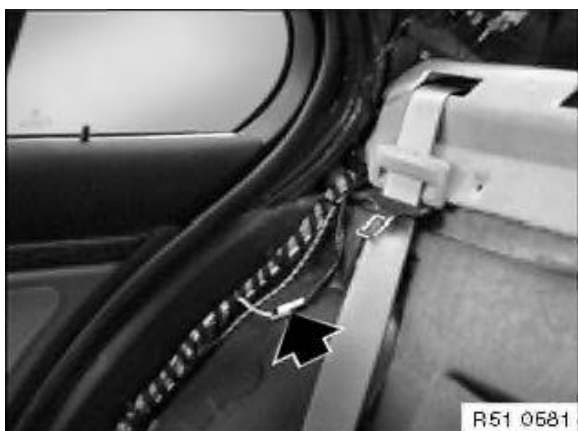
- Fold back backrest completely
- Remove left/right side section on rear seat backrest

Version with rear window roller blind only:

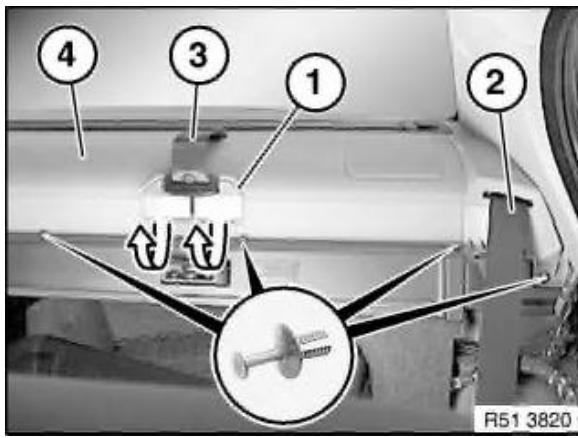
Release screws in luggage compartment.

Installation:

Tightening torque 51 46 3AZ .

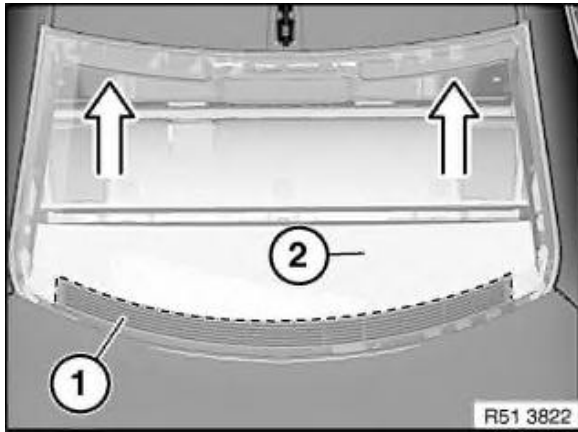
Version with rear window roller blind only:

Disconnect plug connection (1).



Release center seatbelt finisher strip (1) and feed out seatbelt strap (3).

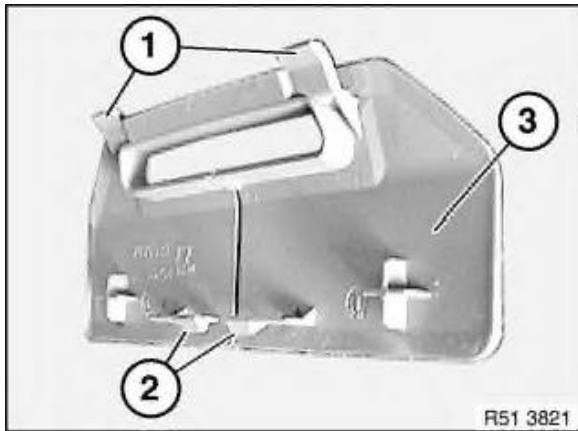
Release expander rivet and pull rear parcel shelf (4) forwards. Feed out left/right seatbelt strap (2) and disconnect speaker plug connection.



Pull out rear parcel shelf (2) towards front.

Installation:

Slide rear window shelf (2) correctly into ventilation grill guides (1).



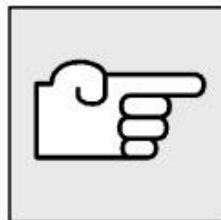
Installation:

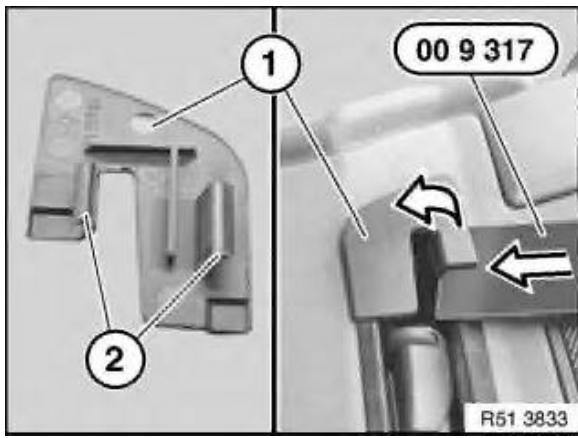
Following parts of center seatbelt finisher strip (3) must not be damaged or missing:

- 1 Guides
- 2 Retaining lugs

Note:

The operation "Removing trim for rear parcel shelf" ends here.



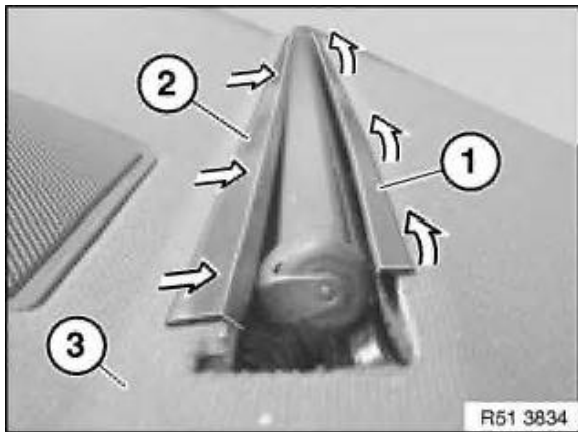


If necessary, remove or replace rear window roller blind:

Lever out protective cap (1) on left/right with special tool 00 9 317 .

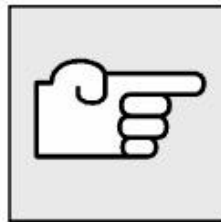
Installation:

Retaining lugs (2) of protective caps (1) must not be damaged or missing.



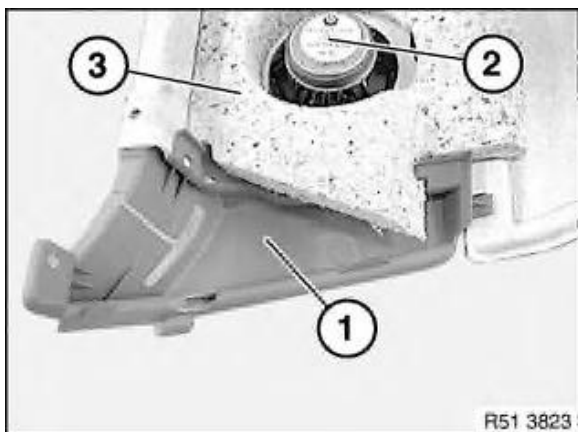
Lift out shelf (3) over rear groove (1) of rear window roller blind.

Pull front guide (2) out of shelf (3) and remove roller sun blind towards bottom.



Note:

The operation "Removing or replacing rear window roller blind" ends here.



Replacement only:

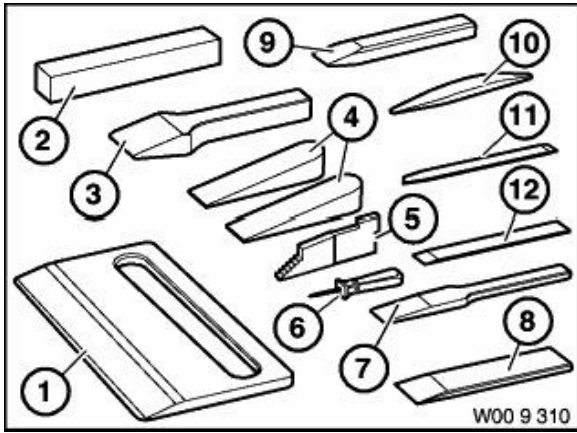
Remove left/right mid-range speaker (2) .

If necessary, remove left/right tweeter.

Remove trims (1) for belt outlet on left/right from rear parcel shelf (3).

00 9 310 Assembly wedges (13)

Minimum set: Mechanical tools



Note:

For straightening and assembly jobs on vehicle bodies, e.g. fitting trim panels, removing window weatherstrips, repairing small-scale dents, removing residual adhesive materials, measuring gap widths, levering out trim panel parts

Series:

E12, E21, E23, E24, E28, E30, E30/C, E30tou, E31, E32, E32/3, E34, E34tou, E36, E36/2, E36/3, E36/5, E36/7, E36/C, E36tou, E38, E38/3, E39, E39PL, E39tou, E46, E46/16, E46/2, E46/3, E46/5, E46/C, E52, E53, E60, E61, E63, E64, E65, E66, E67, E83, E85, R50, R53, RR1

SI number:

1 02 97(174)

Order number:

00 9 310
Assembly wedges (13)

Consisting of:

1 = 00 9 311	Trim remover
2 = 00 9 312	Strike wedge, square
3 = 00 9 313	Striking wedge, large
4 = 00 9 314	Adjusting wedges (2 x)
5 = 00 9 315	Gap wedge
6 = 00 9 316	Sealing lip wedge
7 = 00 9 317	Trim panel wedge
8 = 00 9 318	Universal wedge
9 = 00 9 319	Striking wedge, small
10 = 00 9 321	Fishbone
11 = 00 9 322	Adhesive wedge
12 = 00 9 323	Cleaning wedge (scraper)
00 9 329	Case with insert for assembly wedges

In conjunction with: 009310

**Warning!**

Follow safety instructions for working on cars with airbag systems.

Important!

Do not use any sharp-edged tools to remove trim (risk of damage to head airbag).

Necessary preliminary tasks:

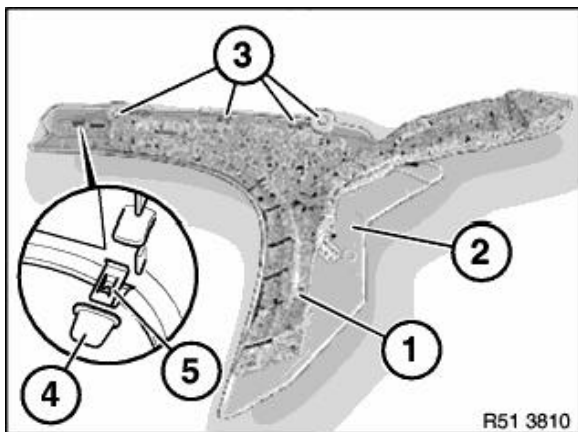
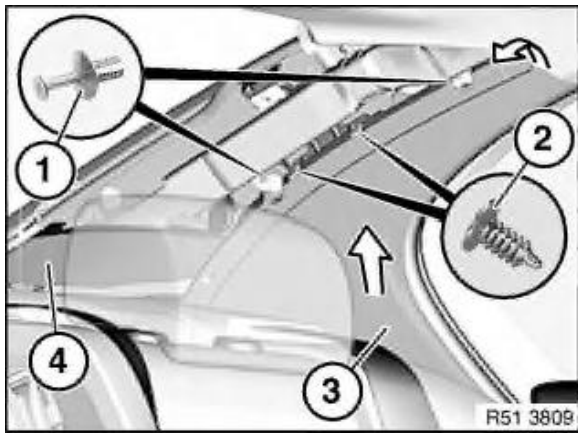
- Remove trim for rear roof pillar (rear).

Detach expansion rivets (1) and clips (2) from trim (3).

Pull out trim (3) inwards/upwards.

Installation:

If necessary, replace faulty clips (2) or expansion rivets (1).

*Installation:*

Following parts of trim (2) must not be damaged or missing:

- 1 Insulating mat
- 3 Bores
- 4 Grommet
- 5 Retainer

**Warning!**

If work is carried out in area of airbag systems, e.g. on:

- Door trim panels
- Interior trims
- Instrument panel etc.

the ignition must be turned off in each case.

- The ignition must always be off.
- The ignition key must be removed from the ignition lock.

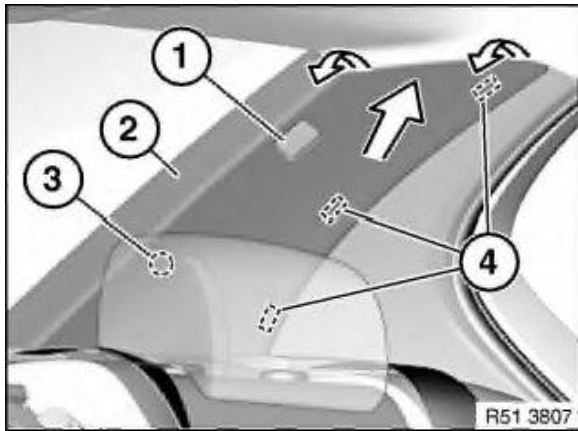
This eliminates the risk of injury.

**Warning!**

Follow safety instructions for working on cars with airbag systems.

Important!

Do not use any sharp-edged tools to remove trim (risk of damage to head airbag).

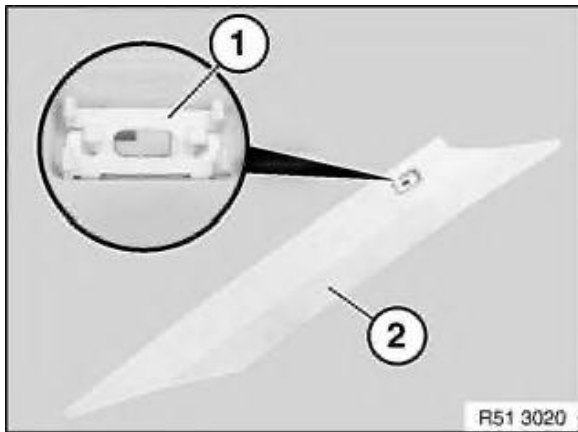


Lever out airbag emblem (1) and release screw underneath.

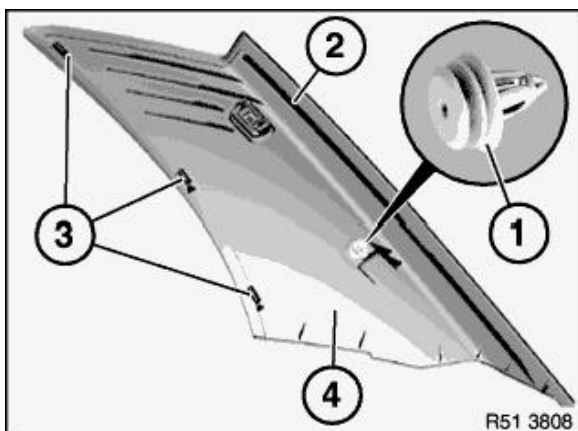
Installation:

Tightening torque 51 43 1AZ .

Unclip clip (3) and clips (4) of trim (2) and pull out trim (2) inwards and upwards.

*Installation:*

Retainer (1) on trim (2) must not be damaged or missing.

*Installation:*

Following parts of trim (4) must not be damaged or missing:

- 1 Clip
- 2 Guide
- 3 Clips

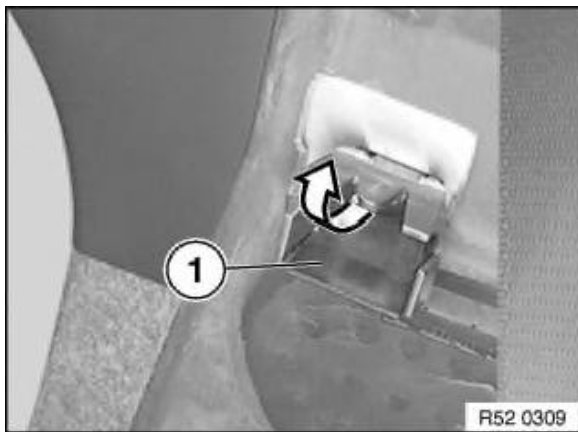
51 43 Side Trim Panel with Armrests

	Type	Thread	Tightening specification	Measure
1AZ Trim, rear roof pillar (C-pillar) on body	E38 / E60 / E61			3 Nm
	E65			1.8 + 0.4 Nm
2AZ Trim, front roof pillar (A-pillar) on body	E46 / E65			1.8 + 0.4 Nm
	E60 / E61 / E63			2.5 Nm
3AZ Side trim panel to body	E46 / Coupé			3 ± 0.5 Nm
	E46 / Compact			4.2 ± 0.8 Nm
4AZ Armrest to side trim panel	E46 / Coupé			2.5 ± 0.5 Nm



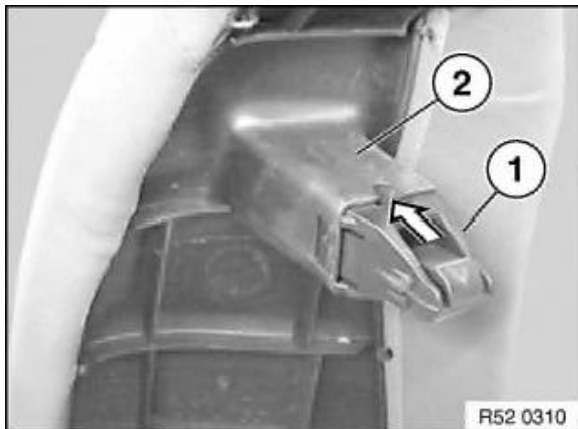
Pull seat belt to middle and place behind head restraint.

Pull top backrest side section (1) forwards (unclip) remove towards top (2).



Installation:

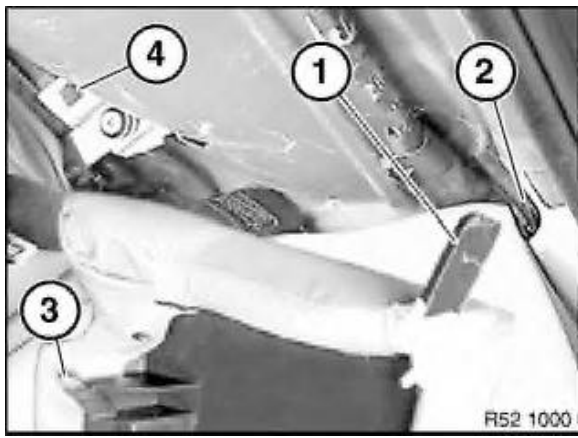
Pull clip (1) forwards out of sheet metal.



Installation:

Check clip (1) and mount (2) for damage.

Slide clip (1) into mount (2) of backrest side section.

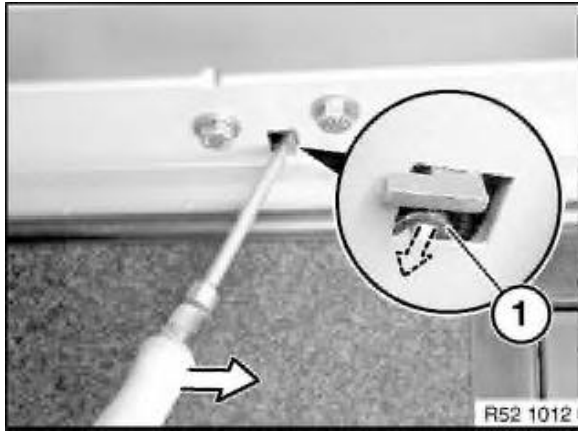


Installation:

- First feed guides (1 and 3) on backrest side section into mounts (2 and 4) of body.
- Then press backrest side section downwards so that guides are correctly seated in mounts.
- To finish, clip in backrest side section at top.

51 46 Partition Panels

	Type	Thread	Tightening specification	Measure
1AZ Rear shelf (rear shelf with roller blind for rear window) on body	E38 / E39			6 Nm
	E65 / E66			2.5 ± 0.5 Nm
2AZ Roller sun blind on rear-window shelf base	E38 / E39			3 Nm
	E65 / E66			2.0 ± 0.7 Nm
3AZ Rear window roller blind with rear shelf to body	E60 / E65 / E66			3.5 ± 0.7 Nm



Open luggage compartment.

Insert screwdriver for levering in snap-in hole of rear seat lock.

Press screwdriver to center of car and in so doing press supporting point (1) of Bowden cable outwards.

52 24 Rear Seat (normal), manual

	Type	Thread	Tightening specification	Measure
1AZ Backrest on body	E38	M6		5 Nm
	E60	M8		18.5 Nm
2AZ Head restraint support to backrest	E60	M6	Screws, top	5.6 Nm
			Screws, bottom	8 Nm
3AZ Armrest lock to backrest	E60	M6		8 Nm
4AZ Backrest lock to backrest	E60	M6		19 Nm
5AZ Center armrest to backrest frame	E60	M6		19 Nm
6AZ Storage compartment casing to body	E63, E64			7.5 Nm
7AZ Ski bag casing to body (hexagon screw)	E63, E64	M8		24 Nm