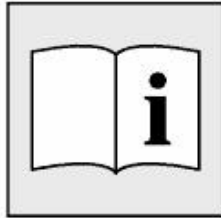
**Special tools required:**

- 00 9 317

*Necessary preliminary tasks:*

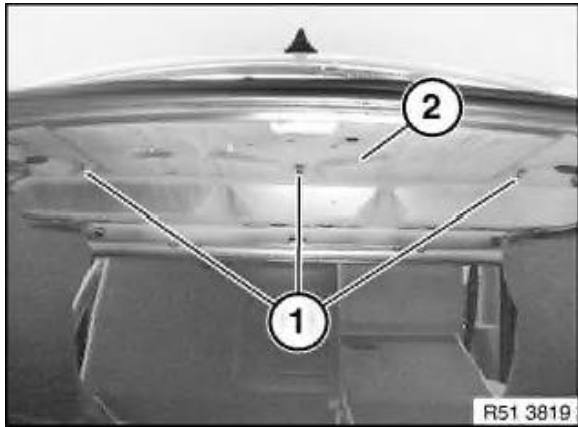
- Remove panel for roof pillar at front left/right

Version without through-loading system:

- Remove backrest for rear seat

Version with through-loading system:

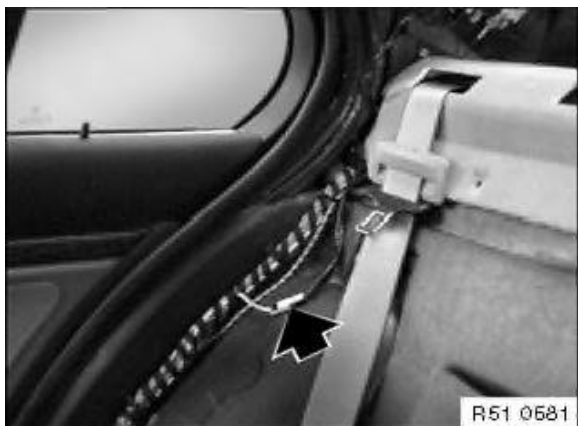
- Fold back backrest completely
- Remove left/right side section on rear seat backrest

Version with rear window roller blind only:

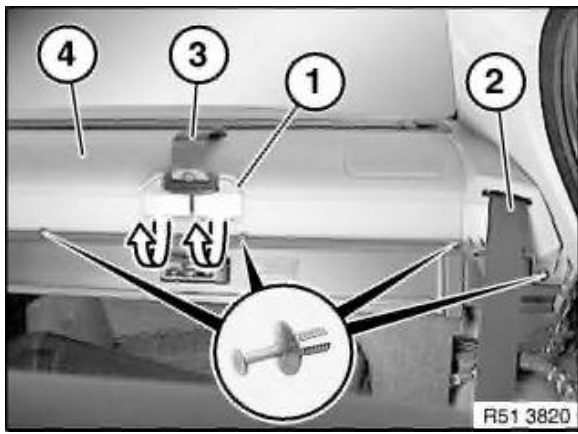
Release screws in luggage compartment.

*Installation:*

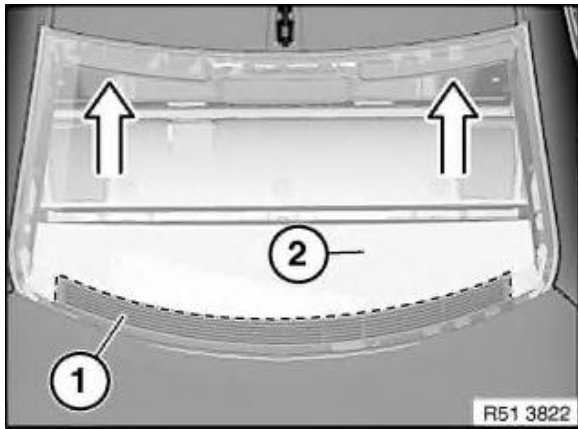
Tightening torque 51 46 3AZ .

Version with rear window roller blind only:

Disconnect plug connection (1).



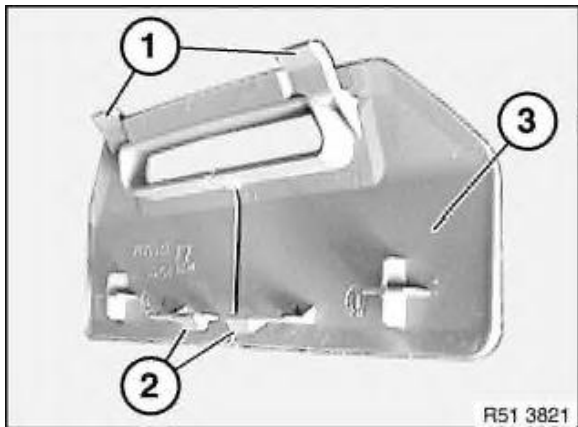
Release center seatbelt finisher strip (1) and feed out seatbelt strap (3).  
 Release expander rivet and pull rear parcel shelf (4) forwards.  
 Feed out left/right seatbelt strap (2) and disconnect speaker plug connection.



Pull out rear parcel shelf (2) towards front.

*Installation:*

Slide rear window shelf (2) correctly into ventilation grill guides (1).



*Installation:*

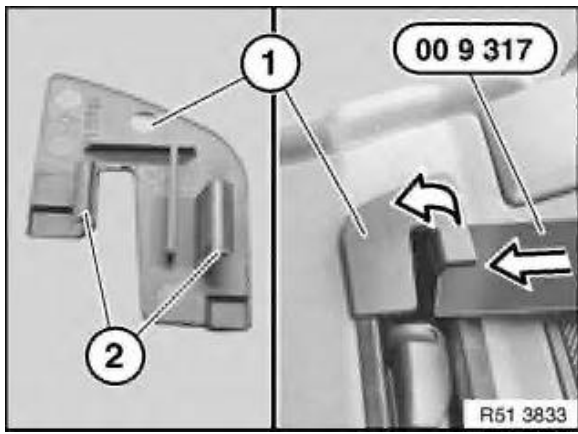
Following parts of center seatbelt finisher strip (3) must not be damaged or missing:

- 1 Guides
- 2 Retaining lugs



*Note:*

The operation "Removing trim for rear parcel shelf" ends here.

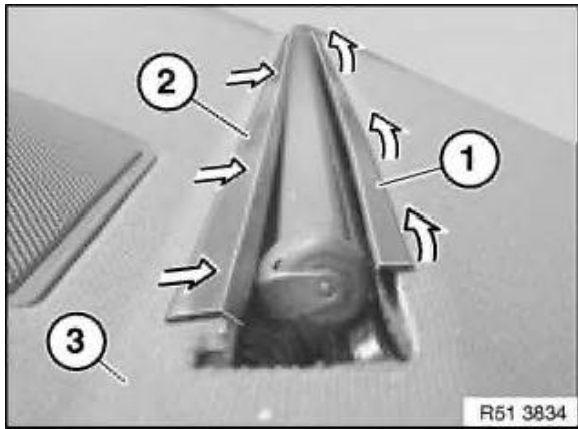


If necessary, remove or replace rear window roller blind:

Lever out protective cap (1) on left/right with special tool 00 9 317 .

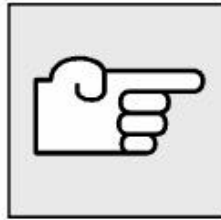
*Installation:*

Retaining lugs (2) of protective caps (1) must not be damaged or missing.



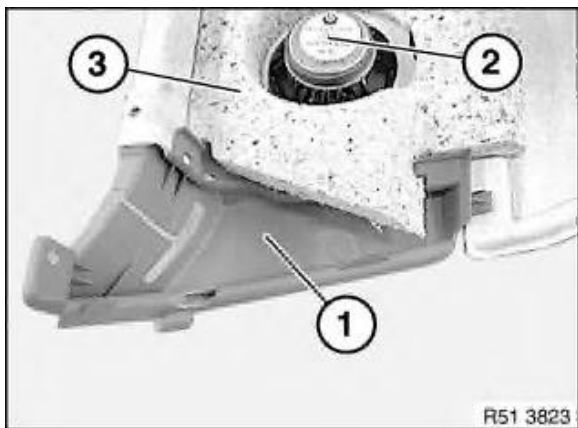
Lift out shelf (3) over rear groove (1) of rear window roller blind.

Pull front guide (2) out of shelf (3) and remove roller sun blind towards bottom.



*Note:*

The operation "Removing or replacing rear window roller blind" ends here.



Replacement only:

Remove left/right mid-range speaker (2) .

If necessary, remove left/right tweeter.

Remove trims (1) for belt outlet on left/right from rear parcel shelf (3).