



# Installation Instructions

Page 1 of 8

July 2006

Audio, Satellite Radio

Ver 2.0

Accessory  
Development

---

*These installation instructions supercede all previous versions.*

## **SUBJECT**

**SIRIUS RETROFIT KIT - P/N 65 11 0 406 350**

## **MODEL**

5 Series Wagon (E61):      Select Vehicle Production 03/05 – On\*

\* Vehicle must have optional Satellite Radio Preparation (SA693).

**SUGGESTED INSTALLATION TIME:      2.5 HOURS\*\***

\*\* Suggested installation time includes re-coding of the vehicle only for this retrofit kit. This time is based on a vehicle that is at the current software level and does not require any updates. Before installing this accessory into the vehicle, the vehicle should be connected to the DIS and checked for software updates. If updates are available the vehicle should be programmed prior to installing this accessory. Total installation time may vary depending on condition of vehicle and equipment in it.

Please refer to SI B09 05 01 for latest BMW approved Retrofit coding procedures.

**Total Installation time may vary depending on vehicle options and equipment.**

The instructions below are developed for BMW vehicles and are not to be compared to any other existing instructions for vehicles other than BMW. No methods other than those specified in this document are to be used for installation in BMW vehicles. Left and right are determined from the driver's seat.

Carefully read all instructions and supplements before proceeding with the installation. Reference should be made to TIS for instructions dealing with a stock part of the vehicle but not stated in detail in these instructions.

The instructions were complete and up to date at time of publication; however, changes to the vehicle or installation may have occurred. Please report any problems or changes noted with the installation to BMW Technical Hotline, along with VIN, date of manufacture and as much detail as possible.

**★ ★ DO IT RIGHT THE FIRST TIME, ON TIME, EVERY TIME ★ ★**

**PARTS INFORMATION****Contents of Kit - P/N 65 11 0 406 350**

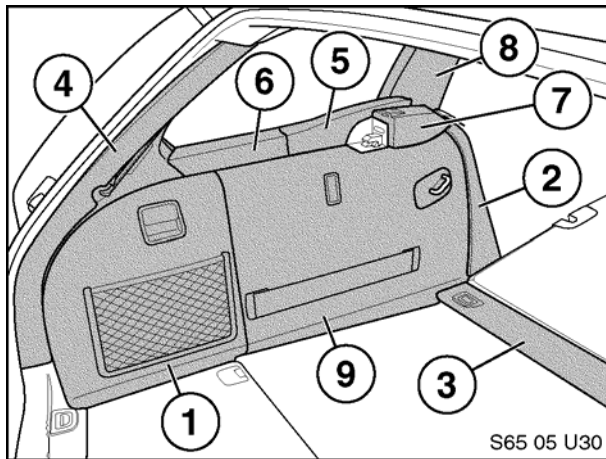
<b>Description</b>	<b>Qty</b>	<b>BMW Part Number</b>
Receiver Bracket	1	65 15 6 927 492
Bracket Holder	1	65 15 6 925 442
Hex Nut	8	61 13 1 372 033
Hex Bolt	12	07 11 9 902 932

**ADDITIONAL REQUIRED PARTS**

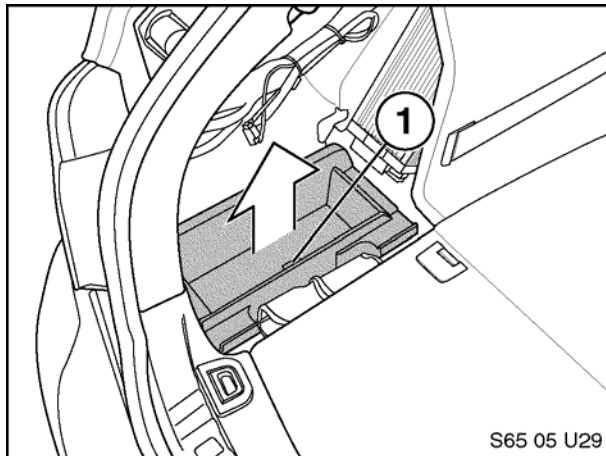
<b>Description</b>	<b>BMW Part Number</b>
Sirius Receiver (Vehicle Production 07/03 – 03/06)	65 12 6 948 064
Sirius Receiver (Vehicle Production 03/06 – On)	65 12 6 987 545

***Note: Please utilize the correct Sirius receiver based on vehicle production listed above. Due to hardware and vehicle wiring changes it is not possible to interchange parts.***

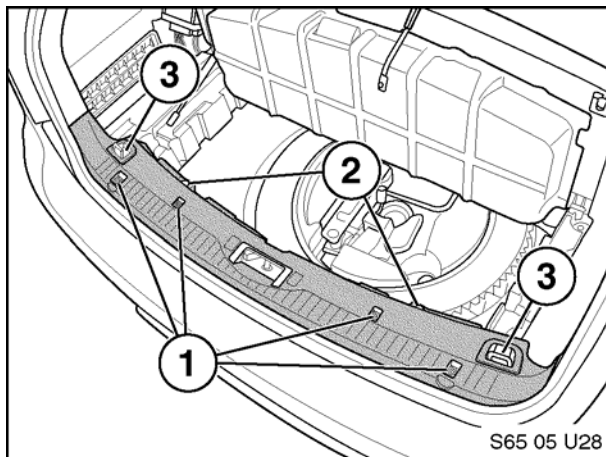
***Caution: The technician performing this installation must be experienced working with MOST-ring connectors and fiber-optic components. Never touch tip of fiber-optic cable with bare fingers. Oil from fingertips can cause errors in MOST system. If necessary, clean cables with alcohol before reassembly.***

**Procedure**

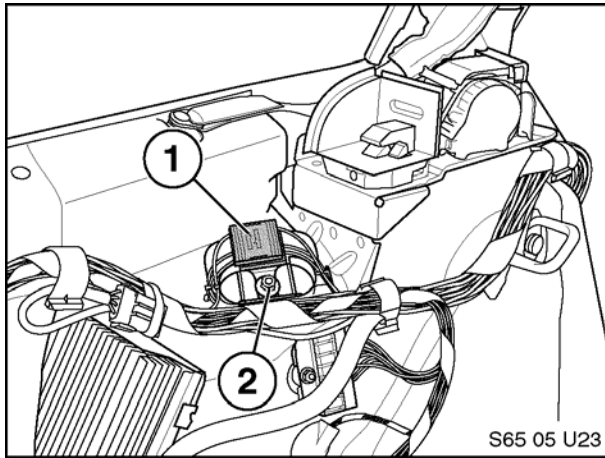
1. Disconnect vehicle battery.
2. Remove rear trim panel (1).
3. Fold down rear seat backrest and remove the following:
  - left backrest part (2) per TIS 52 26 008
  - front trim (3) per TIS 51 47 131
  - D-pillar trim (4) per TIS 51 43 259
  - cap (5) per TIS 51 47 157
  - left capping (6&7) per TIS 51 47 156
  - C-pillar trim (8) per TIS 51 43 251 and 51 43 255
  - arch trim (9) per TIS 51 47 151



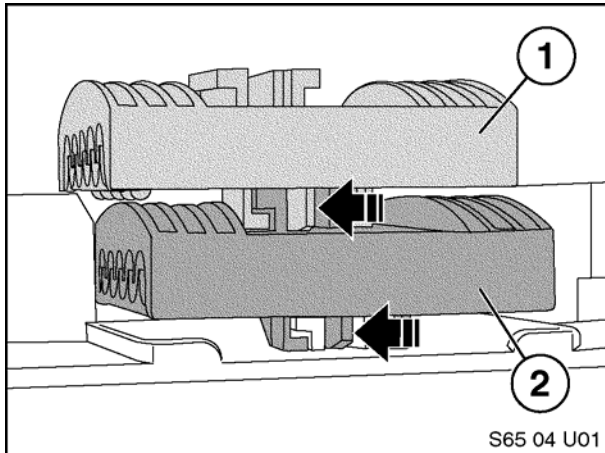
4. Remove cover plate, unscrew 8mm Hex bolt and remove pocket in upward direction (1).



5. Remove four cover plates and unscrew four Phillips head screws (1).
6. Remove two trim panel rivets (2).
7. Slide out trim covers and remove two T25 Torx screws on each side (3).

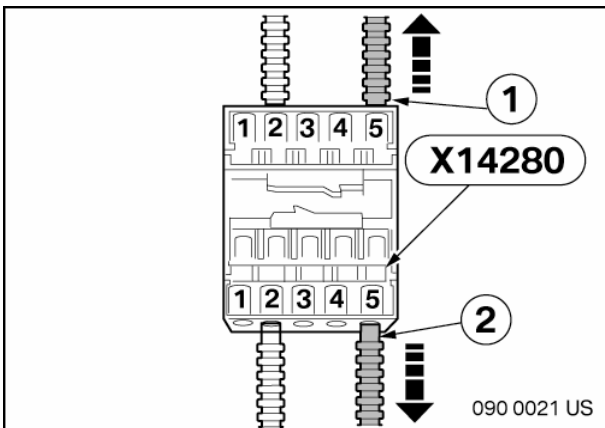


8. Locate fiber optic distribution block (1) and unscrew 10mm Hex nut (2).



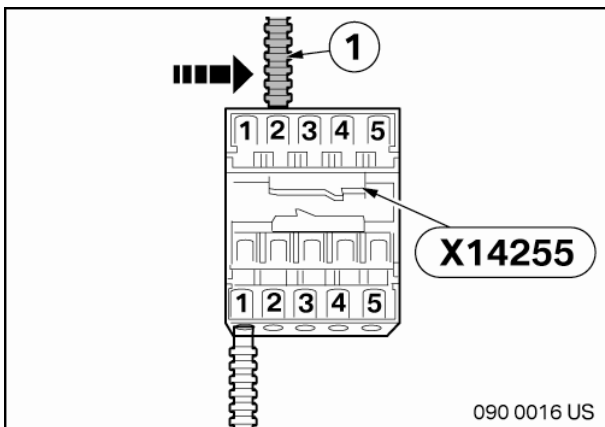
9. Separate upper black junction block (1) from lower black junction block (2) by pushing locking tab (black arrow) to the left and sliding upper block rearward.
10. Separate lower junction block (2) from plastic mounting bracket by pushing locking tab (black arrow) to the left and sliding block rearward.

*Fiber optic cables not shown in illustration S65 04 U01*



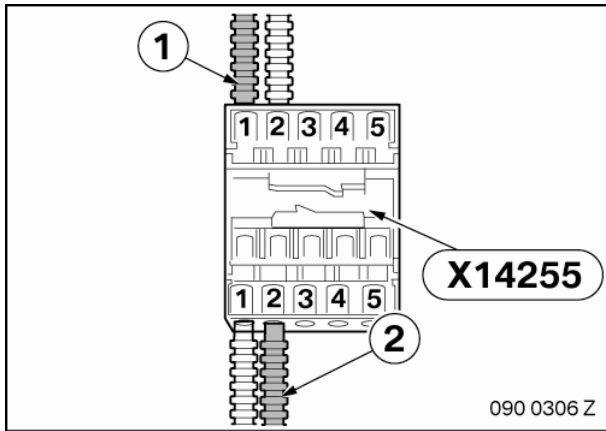
**Warning:** Before proceeding with the next step, please label all fiber cables including whether cable is Input or Output to avoid cabling errors.

11. Unlock the cover caps from the MOST-bus junction blocks with the aid of a small flat head screwdriver.
12. Remove the satellite receiver (SDARS) fiber optic cables (1 & 2) from **Position 5** of the upper black junction block **X14280** with the aid of a small flat head screwdriver.
13. Remove the fiber optic cable (1) from **Position 1** on the lower black junction block **X14255** and re-connect it to **Position 2**.



**Note:** The number of fiber cables connected to MOST junction block X14255 may differ than shown depending on vehicle options.

**Note:** It may be necessary to remove and re-connect multiple fiber cables into next slot positions from Step 13 if Position 2 is already occupied.



14. Connect the SDARS fiber optic cable (1) removed from junction block X14280 in Step 12 into the empty slot **Position 1** of junction block **X14255**.

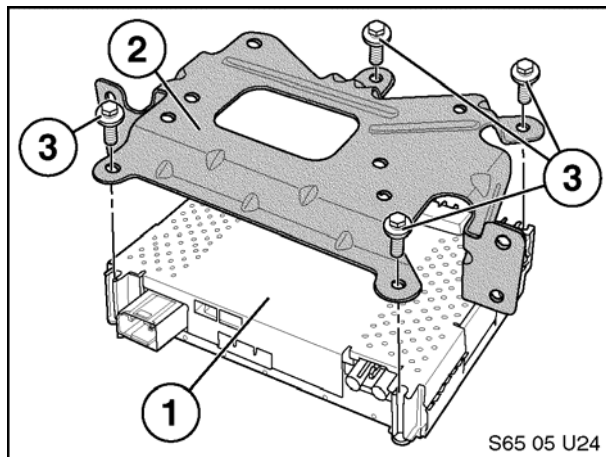
15. Connect the SDARS fiber optic cable (2) removed from junction block X14280 in Step 12 into **Position 2** of junction block **X14255**.

**Note: The number of fiber cables connected to MOST junction block X14255 may differ than shown depending on vehicle options.**

16. Lock the cover caps onto the upper and lower black junction blocks and re-secure both junction blocks to the plastic bracket.

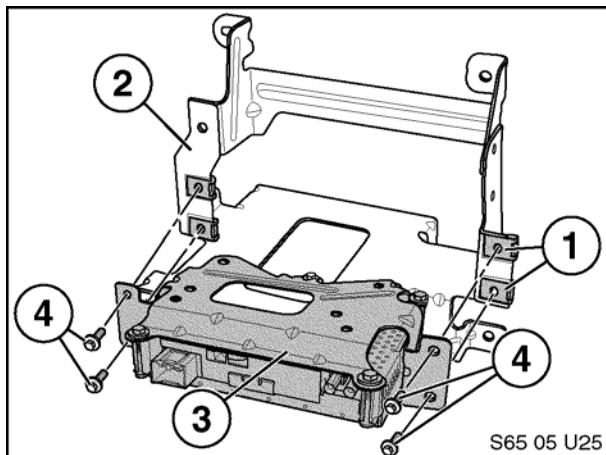
17. Mount receiver bracket (2) onto Sirius receiver (1) using four 8mm Hex bolts (3).

**Caution: Take care to avoid over-tightening or cross-threading these bolts, as the aluminum threading of the receiver may be damaged.**

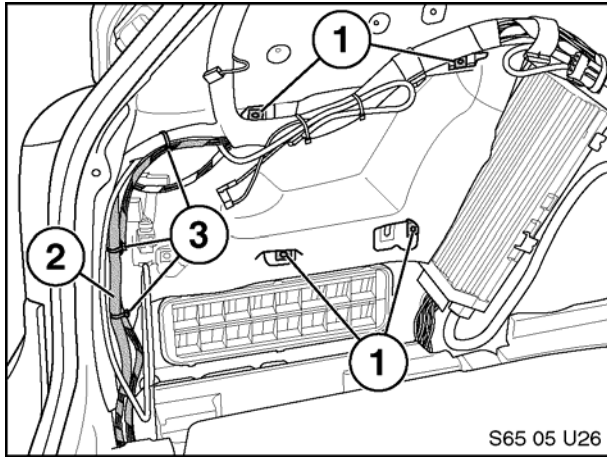


18. Slide four clip nuts (1) onto bracket holder (2).

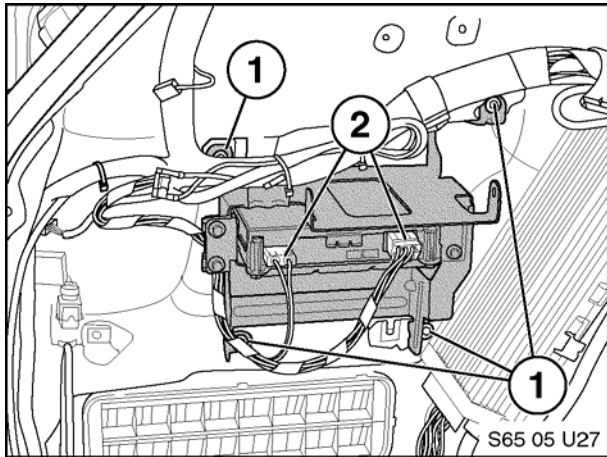
19. Mount receiver assembly (3) onto bracket holder (2) using four 8mm bolts (4).



6



20. Locate bracket holder mounting points. Slide four clip nuts onto mounting points (1).
21. Locate Sirius antenna and power cables (2) and remove wire ties (3).



22. Connect Sirius antenna and power connectors onto Sirius receiver (2) and mount bracket to location using four 8mm Hex bolts (1).
23. Re-connect battery and re-install all components removed during installation.

**Installation is complete.**

**Proceed to Retrofit Coding and then Activation Procedure to finalize Sirius vehicle retrofit.**

**RETROFIT CODING**

**Note: Please refer to SI B09 05 01 for latest Progman retrofit procedure before starting vehicle coding.**

Retrofit Sirius Receiver using Progman 21.xx or later

*Follow approved Progman Retrofit procedures until Retrofit selection appears then:*

Select: **Retrofits**

Again Select: **Retrofits**

Select: **SDARS**

Select: **Added**

Informational page displays "Retrofitting SDARS selected. The vehicle order is changed during sequence".

Select: **CONTINUE**

Tester will automatically determine measures plan for encoding 655 (SDARS) and will be added to vehicle order.

Select: **ACCEPT**

Select: **START** to execute measures plan

Upon completion of SDARS retrofit coding conduct functional test of the Sirius Receiver.

**Proceed to Sirius Activation Procedure.**

## ACTIVATION PROCEDURE Sirius Satellite Radio for E61

Step 1: Locate vehicle outside so that the roof with has a clear **Line-of-Sight** to the sky. Make sure that vehicle is located at a distance greater than 10 feet from nearest building. (Do not place vehicle under a tree or other solid structure).

**Note: For BMW Centers located in downtown cities such as NYC or LA, it may not be necessary to locate vehicle outside. In this case, locate vehicle near window or other area with adequate signal strength to receive Sirius signal and activate receiver. Please consult your Sirius representative for signal coverage in your area.**

Step 2: Turn key to position 1. (**KL-R**)

Step 3: From Main Menu, select **Entertainment** option using iDrive.

Step 4: Select **SAT** option on top of screen.

Step 5: Select **All Channels**. A list of available channels will appear. If a receiver is not yet activated none of the channels will be checked (✓) except **CH 184 Sirius Weather**. Scroll down channel listing and select channel 184 to confirm it is available and audio is heard. **Channel 184 should be available on every new receiver and was designed to allow technicians to confirm Sirius receiver functionality before initial activation.**

Step 7: If "**CH 184 Sirius Weather**" is displayed and audio is functioning correctly, proceed to step 10. If not, go to next step.

*Step 8: If "**CH 184 Sirius Weather**" is not available, turn key OFF, wait @ 5 minutes, for MOST Bus to reset and repeat Steps 2 - 4.*

*Step 9: Allow receiver to update information. (Approx. 30 seconds) Audio should now be heard under "**CH 184 Sirius Weather**" channel. Channel 184 should be the only available channel.*

Step 10: Contact Sirius to activate the receiver. The **12-digit Sirius Receiver ESN** can be found on the Sirius receiver or by selecting an unchecked channel (such as CH 001). ESN will be displayed on screen if an unchecked channel is selected.

Step 11: After Sirius Customer Service Representative activates receiver, it will take approximately 5 minutes or less for signal to reach the vehicle. Leave radio in Sirius Satellite mode with "Sirius Weather" displayed and key in KL-R position for approximately 5 additional minutes in order to successfully download all initial satellite information.

Step12: Turn KEY OFF. Wait approximately 5 minutes for receiver to reset, and repeat Steps 2-4.

Step 13: Select **All Channels**. A list of available channels will appear. If a receiver is activated correctly all channel numbers will include a check mark (✓). If receiver is activated under a censored plan such as Family Package certain channels containing objectionable material will remain unchecked. Please refer to Vehicle Owner's Manual for additional Sirius Satellite Mode functionality and features.

**ACTIVATION COMPLETE**