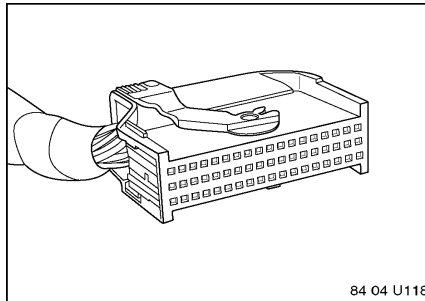
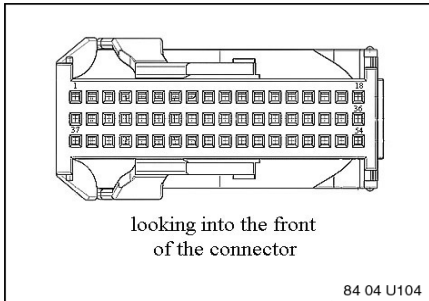


TCU Connector E60/63/64

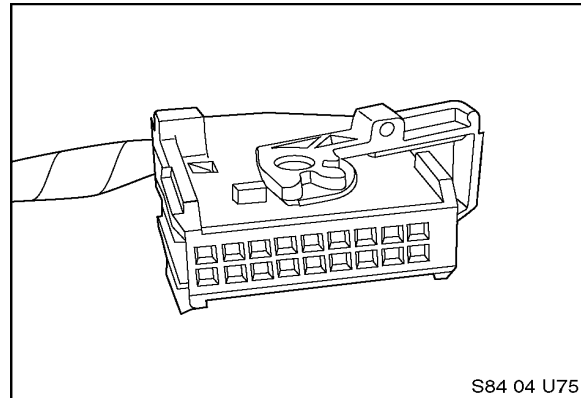
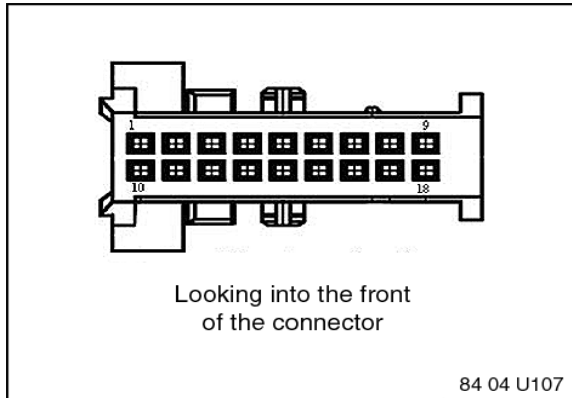
54 Female Pin, Male ELO Connector



Pin#	TCU 54 Pin ELO Connector	Description	Comments
1	MIC1+	Microphone 1 Positive	
2	MIC2+	Microphone 2 Positive	
3		cradle Enable	as 03/04
4			
5			
6			
7			
8			
9	P2K RX Audio On/Off	Wired Portable Analog Audio From Phone	
10	P2K Audio Ground	Wired Portable Audio Ground	
11	P2K TX Audio	Wired Portable Analog Audio To Phone	
12			
13			
14	MDI	Motorola Diag Interface (MOT Use Only)	
15	IBUS	IBUS Interface (for Airbag)	
16	Aux Battery+	Auxilliary Battery Positive Terminal	
17	Battery+	Main Battery Positive (Klemme 30)	
18	Battery+	Main Battery Positive (Klemme 30)	
19	MIC1-	Microphone 1 Negative	
20	MIC2-	Microphone 2 Negative	
21	MIC Shield	Microphone Shield	
22	Hookswitch Portable	Hookswitch to detect portable phone	
23			
24	DFA_FL	Wheelspeed, Front Left	
25	DFA_FR	Wheelspeed, Front Right	
26			
27	RS232 RTS	Serial Debug Port RTS	
28	RS232 Ground	Serial Debug Port Ground	
29	P2K TXD	Wired Portable Serial IF TxD	
30	P2K RXD	Wired Portable Serial IF RxD	
31	Ecall Button	Emergency Call Button	
32	Charger_On_Off	Charger: on if +12V, off if Gnd	
33	MOST Wakeup	MOST Wakeup Output	
34	TEL_ON	Telephone On Indicator for compensator	
35			
36	Battery Ground	Main Battery Ground (Klemme 31)	
37	Vehicle Speaker+ (emergency)	Vehicle Speaker Positive	
38	Vehicle Speaker- (emergency)	Vehicle Speaker Negative	
39	P2K Shield	Wired Portable Serial IF Shield	
40			
41			
42			
43	RS232 TX	Serial Debug Port TxD	
44	RS232 RX	Serial Debug Port RxD	
45	RS232 CTS	Serial Debug Port CTS	
46		Cradle Key+	as 03/04
47			
48			
49	P2K Ground	Wired Portable Serial IF Phone Ground	
50	MAYDAY LED	MAYDAY LED Output	
51			
52	58g	Lighting Intensity Dimming Signal; signal via bluetooth to handset (not for Japan)	
53	Aux Battery Ground	Auxilliary Battery Ground	
54	Battery Ground	Main Battery Ground (Klemme 31)	

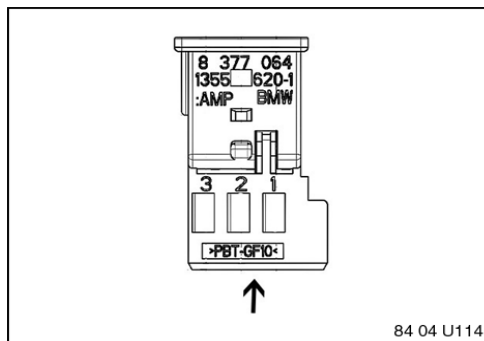
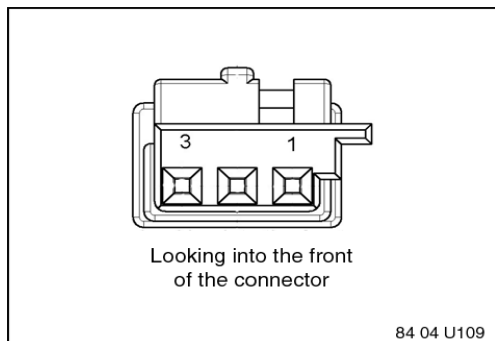
Ejectbox E60/63/64

26 Female Pin, Male ELO Connector



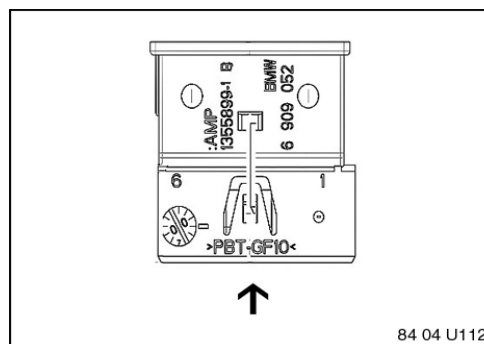
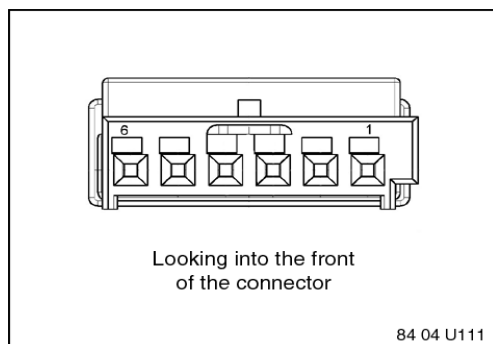
PIN #	Ejectbox front 18 pin ELO (P2K)	Discription	Comments
1	Charger_On_Off	Charger: on if +12V, off if Gnd	
2	Battery Ground (Klemme 31)	Main Battery Ground	
3	58g	Lighting Intensity Dimming Signal; signal via bluetooth to handset	
4	P2K Audio Ground	Wired Portable Audio Ground	
5	Battery+	Main Battery Positive (Klemme 30)	
6			
7			
8			
9	P2K TXD	Wired Portable Serial IF TxD	
10	Hookswitch Portable	Hookswitch to detect portable phone	
11			
12			
13	P2K TX Audio	Wired Portable Analog Audio To Phone	
14	cradle Enable		as 03/04
15	P2K RX Audio On/Off	Wired Portable Analog Audio From Phone	
16	Cradle Key+		as 03/04
17			
18	P2K RXD	Wired Portable Serial IF RxD	

Microphone E60/63/64/65 3 Female Pin, Male ELO Connector



PIN #	Microphone 3 Pin ELO Connector, female	Description	Comments
1	MIC(+)	Microphone 1 Positive	
2	MIC(-)	Microphone 1 Negative	
3	MIC SHIELD	Microphone Shield	

Mayday Switch E60/63/64/65 6 Female Pin, Male ELO Connector



Pin#	Mayday Switch 6 Pin ELO Connector	Description	Comments
1			
2	58g	Instruments and location lights	
3	Mayday LED	Mayday LED Input	
4	Ecall Button	Emergency Call Button	
5	Ground	Main Battery Groun	
6			