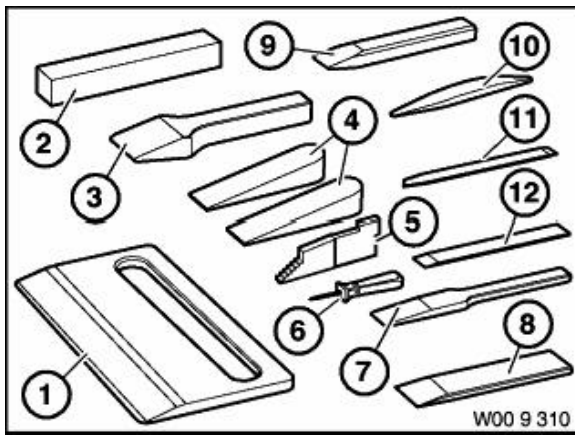


# 00 9 310 Assembly wedges (13)

Minimum set: Mechanical tools



Note:

For straightening and assembly jobs on vehicle bodies, e.g. fitting trim panels, removing window weatherstrips, repairing small-scale dents, removing residual adhesive materials, measuring gap widths, levering out trim panel parts

Series:

E12, E21, E23, E24, E28, E30, E30/C, E30tou, E31, E32, E32/3, E34, E34tou, E36, E36/2, E36/3, E36/5, E36/7, E36/C, E36tou, E38, E38/3, E39, E39PL, E39tou, E46, E46/16, E46/2, E46/3, E46/5, E46/C, E52, E53, E60, E61, E63, E64, E65, E66, E67, E83, E85, R50, R53, RR1

SI number:

1 02 97(174)

Order number:

00 9 310  
Assembly wedges (13)

Consisting of:

1 = 00 9 311	Trim remover
2 = 00 9 312	Strike wedge, square
3 = 00 9 313	Striking wedge, large
4 = 00 9 314	Adjusting wedges (2 x)
5 = 00 9 315	Gap wedge
6 = 00 9 316	Sealing lip wedge
7 = 00 9 317	Trim panel wedge
8 = 00 9 318	Universal wedge
9 = 00 9 319	Striking wedge, small
10 = 00 9 321	Fishbone
11 = 00 9 322	Adhesive wedge
12 = 00 9 323	Cleaning wedge (scraper)
00 9 329	Case with insert for assembly wedges

In conjunction with: 009310