

Receptacle Contacts

**Technical Features**

**Material**

Receptacle Contact: CuNiSi  
Tab Contact: CuSn  
Cantilever Spring: Stainless Steel

**Contact Finish:**

Tin plated,  
selective gold plated

**Wire Size Range:**

>0.35–0.5 mm<sup>2</sup>  
>0.5–1.0 mm<sup>2</sup>  
>1.0–2.5 mm<sup>2</sup>  
stranded cable (FLR)

**Current Carrying Capacity:**

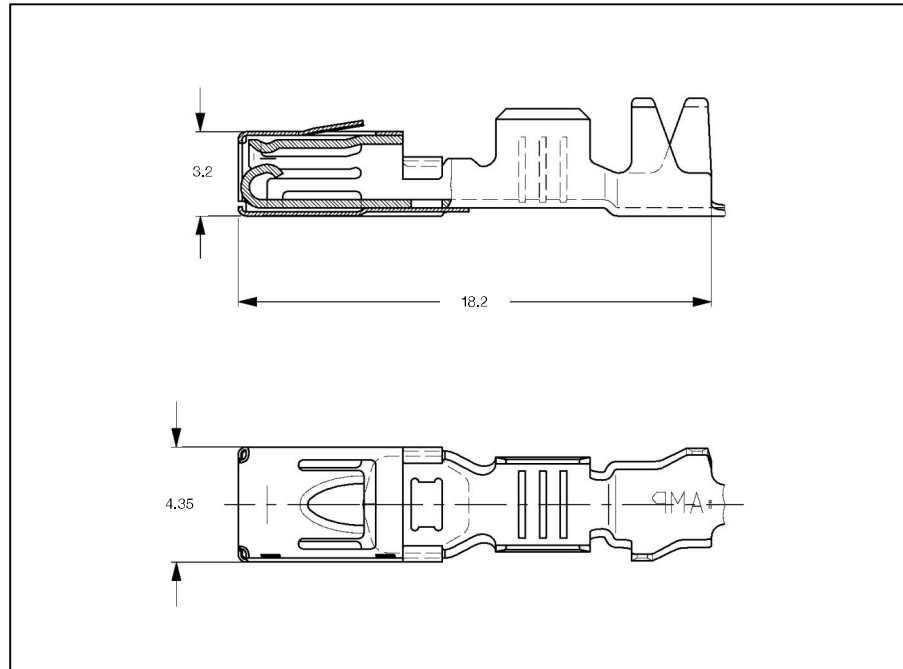
34 A (20 °C)  
25 A (80 °C)

**Temperature Range:**

–40 °C ... +130 °C (tin plated)  
–40 °C ... +150 °C (gold plated)

**Centerline**

Standard: 5.08 x 5.08 mm  
Single Wire Sealing System:  
7.0 x 7.0 mm



**Insertion and  
Extraction Tool:**  
Part No. **6-1579007-3**

**Chart Drawings**  
Receptacle Contact: 1355934  
Tab Contact: 1355933

**Product Specification:**  
108-18476

**Application Specification:**  
114-18141  
114-18063

**Standard Receptacle Contacts**

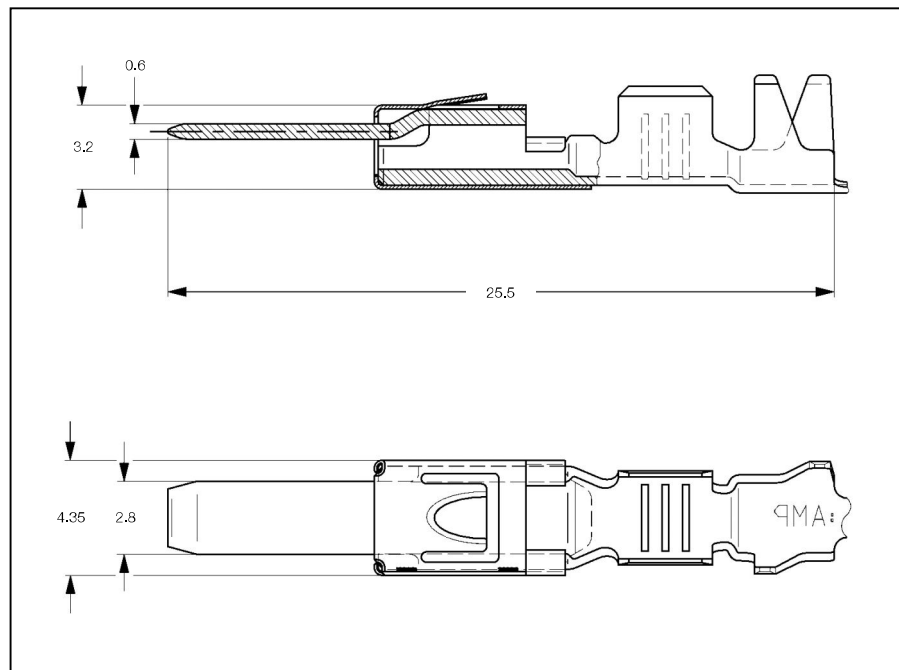
Wire Size Range (mm <sup>2</sup> )	Insulation Diameter		Material and Finish	Part Numbers						
	FLK (mm)	FLR (mm)		Strip Form	Package Quantity	Loose-Piece	Package Quantity	Applicator		Hand Tool 354940-1 with Die Set
								Standard	Fine Adjust	
0.35–0.5	–	1.2–1.6	tin plated	968678-2	5,000	929155-2	500	–	1528211	539711-2
			gold plated	968678-5	5,000	929155-5	500	–	–	–
>0.5–1.0	–	1.7–2.1	tin plated	968074-2	5,000	929156-2	500	–	1528344	58589-2
			gold plated	968074-5	5,000	929156-5	500	–	–	–
>1.0–2.5	–	2.2–3.0	tin plated	968075-2	4,000	929157-2	500	1426259	1528223	58590-2
			gold plated	968075-5	4,000	929157-5	500	–	–	–
4.0	–	3.4–3.7	tin plated	1355950-2	3,000	1355951-2	500	–	1528358	58590-2

**Single Wire Sealing System**

Wire Size Range (mm <sup>2</sup> )	Insulation Diameter		Material and Finish	Part Numbers						
	FLK (mm)	FLR (mm)		Strip Form	Package Quantity	Loose-Piece	Package Quantity	Applicator		Hand Tool 354940-1 with Die Set
								Standard	Fine Adjust	
0.35–0.5	–	1.2–1.6	tin plated	968860-2	3,300	929158-2	500	–	–	539712-2
			gold plated	968860-5	3,300	929158-5	500	–	–	–
>0.5–1.0	–	1.7–2.1	tin plated	968119-2	3,000	929159-2	500	–	1528175	58591-2
			gold plated	968119-5	3,000	929159-5	500	–	–	–
>1.0–2.5	–	2.2–3.0	tin plated	968120-2	3,000	929160-2	500	–	1528321	58592-2
			gold plated	968120-5	3,000	929160-5	500	–	–	–

Tab Contacts

**Tab 2.8 x 0.63 mm,  
Mates with  
Micro Power Quadlok**



**Standard Tab Contacts**

Wire Size Range (mm <sup>2</sup> )	Insulation Diameter		Material and Finish	Part Numbers				Applicator		Hand Tool 354940-1 with Die Set
	FLK (mm)	FLR (mm)		Strip Form	Package Quantity	Loose-Piece	Package Quantity	Standard	Fine Adjust	
0.35-0.5	-	1.2-1.6	tin plated	968679-2	5,000	929161-2	500	-	1528211	539711-2
			gold plated	968679-5	5,000	929161-5	500			
>0.5-1.0	-	1.7-2.1	tin plated	968136-2	5,000	929162-2	500	-	1528344	58589-2
			gold plated	968136-5	5,000	929162-5	500			
>1.0-2.5	-	2.2-3.0	tin plated	968137-2	4,000	929163-2	500	1426259	1528223	58590-2
			gold plated	968137-5	4,000	929163-5	500			
4.0	-	3.4-3.7	tin plated	1355964-2	3,000	1355965-2	500	-	1528358	58590-2

**Single Wire Sealing System**

Wire Size Range (mm <sup>2</sup> )	Insulation Diameter		Material and Finish	Part Numbers				Applicator		Hand Tool 354940-1 with Die Set
	FLK (mm)	FLR (mm)		Strip Form	Package Quantity	Loose-Piece	Package Quantity	Standard	Fine Adjust	
0.35-0.5	-	1.2-1.6	tin plated	968681-2	3,500	929164-2	500	-	-	539712-2
			gold plated	968681-5	3,500	929164-5	500			
>0.5-1.0	-	1.7-2.1	tin plated	968138-2	3,000	929165-2	500	-	1528175	58591-2
			gold plated	968138-5	3,000	929165-5	500			
>1.0-2.5	-	2.2-3.0	tin plated	968139-2	3,000	929166-2	500	-	1528321	58592-2
			gold plated	968139-5	3,000	929166-5	500			

Receptacle Contacts

**Technical Features**

**Material**

Receptacle Contact: CuNiSi  
Tab Contact: CuSn  
Cantilever Spring: Stainless Steel

**Contact Finish:**

Pre-tin plated

**Wire Size Range:**

>1.0–2.5 mm<sup>2</sup>  
>2.5–4.0 mm<sup>2</sup> Single Wires  
(Single Wire Sealing System)

**Current Carrying Capacity:**

4.0 mm<sup>2</sup> (free in air/RT)  
45 A (20 °C)  
30 A (80 °C)

**Temperature Range:**

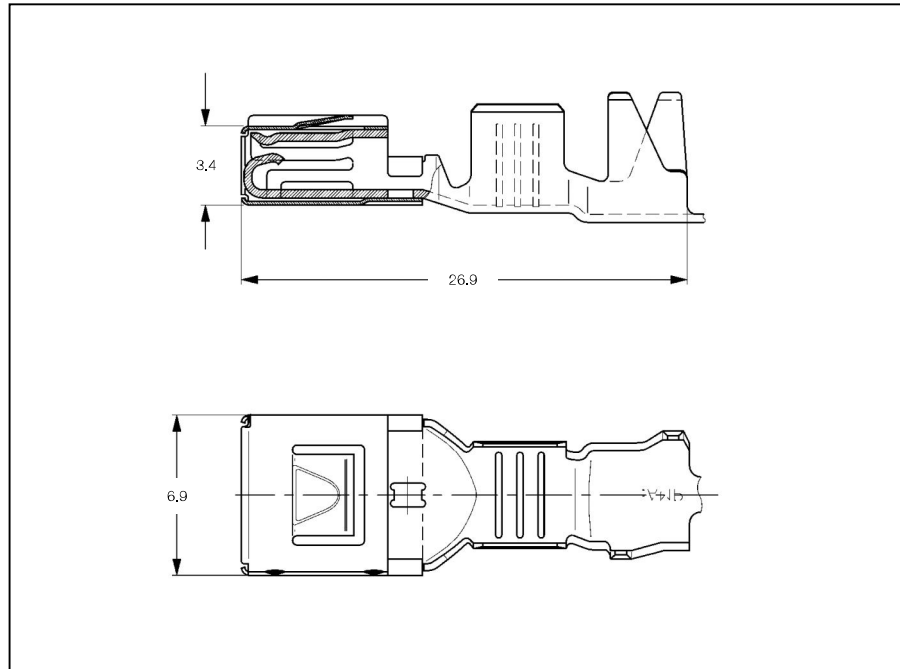
–40 °C to +130 °C (tin plated)

**Centerline:**

“Pitch 7” Version:  
7.62 x 7.0 mm (Standard)

“Pitch 6” Version:  
7.62 x 6.0 mm (Standard)

9.1 x 9.1 mm  
(Single Wire Sealing System)



**Insertion and  
Extraction Tool:**  
Part No. **6-1579007-4**

**Chart Drawings:**  
Receptacle Contact: 1241638  
Tab Contact: 1241639

**Product Specification:**  
108-18476

**Application Specification:**  
114-18141  
114-18063

**Standard Receptacle Contacts**

Wire Size Range (mm <sup>2</sup> )	Insulation Diameter		Material and Finish	Part Numbers				Applicator		Hand Tool 354940-1 with Die Set
	FLK (mm)	FLR (mm)		Strip Form	Package Quantity	Loose-Piece	Package Quantity	Standard	Fine Adjust	
>1.0–2.5	–	2.2–3.0	pre-tin plated	968072-2*	2,800	929203-2	500	–	1528215	58593-2
				1241601-2**	2,500	1241642-2	500			
>2.5–4.0	–	3.4–3.7	pre-tin plated	968073-2*	2,300	929204-2	500	1426313	1528319	58594-2
				1241602-2**	2,400	1241643-2	500			

\* “Pitch 7” Version

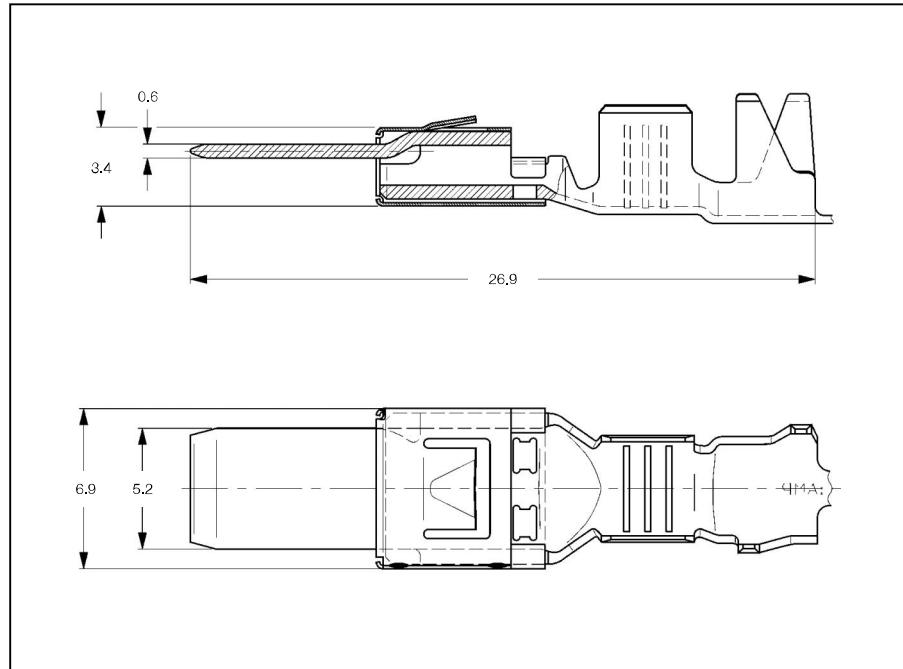
\*\* “Pitch 6” Version

**Single Wire Sealing System**

Wire Size Range (mm <sup>2</sup> )	Insulation Diameter		Material and Finish	Part Numbers				Applicator		Hand Tool 354940-1 with Die Set
	FLK (mm)	FLR (mm)		Strip Form	Package Quantity	Loose-Piece	Package Quantity	Standard	Fine Adjust	
>1.0–2.5	–	2.2–3.0	pre-tin plated	968121-2	1,800	929205-2	500	–	1528356	58595-2
>2.5–4.0	–	3.4–3.7	pre-tin plated	968122-2	1,800	929206-2	500	–	1528357	58596-2

Tab Contacts

**Tab 5,2 x 0.63 mm,  
Mates with  
Power Quadlok**



**Standard Tab Contacts**

Wire Size Range (mm <sup>2</sup> )	Insulation Diameter		Material and Finish	Part Numbers				Applicator		Hand Tool 354940-1 with Die Set
	FLK (mm)	FLR (mm)		Strip Form	Package Quantity	Loose-Piece	Package Quantity	Standard	Fine Adjust	
> 1.0–2.5	–	2.2–3.0	pre-tin plated	968131-2*	3,000	929207-2	500	–	1528215	58593-2
				1241614-2**	3,000	1241644-2	500			
> 2.5–4.0	–	3.4–3.7	pre-tin plated	968132-2*	2,300	929208-2	500	1426313	1528319	58594-2
				1241615-2**	2,300	1241645-2	500			

\* "Pitch 7" Version  
\*\* "Pitch 6" Version

**Single Wire Sealing System**

Wire Size Range (mm <sup>2</sup> )	Insulation Diameter		Material and Finish	Part Numbers				Applicator		Hand Tool 354940-1 with Die Set
	FLK (mm)	FLR (mm)		Strip Form	Package Quantity	Loose-Piece	Package Quantity	Standard	Fine Adjust	
> 1.0–2.5	–	2.2–3.0	pre-tin plated	968133-2	2,000	929209-2	500	–	1528356	58595-2
> 2.5–4.0	–	3.4–3.7	pre-tin plated	968134-2	2,000	929210-2	500	–	1528357	58596-2