**Special tools required:**

- 00 9 317

**Warning!**

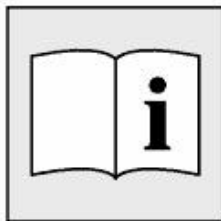
Model with side airbag:

Side airbag is mounted on door trim panel:

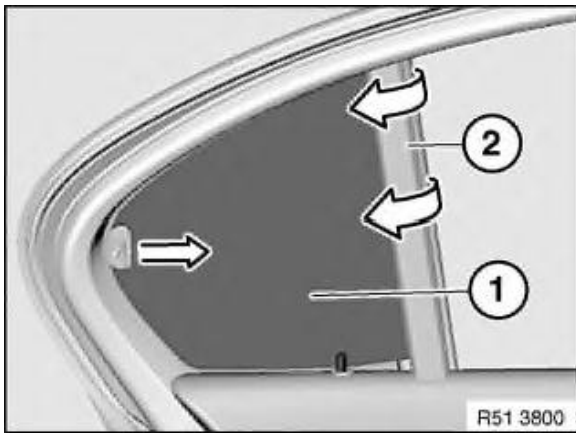
Disconnect battery.

Important!

Do not use any sharp-edged removal tools, risk of damage to airbag.

*Necessary preliminary tasks:*

- If necessary, remove footwell light at bottom.
- If necessary, remove LED for door handle/door compartment light.



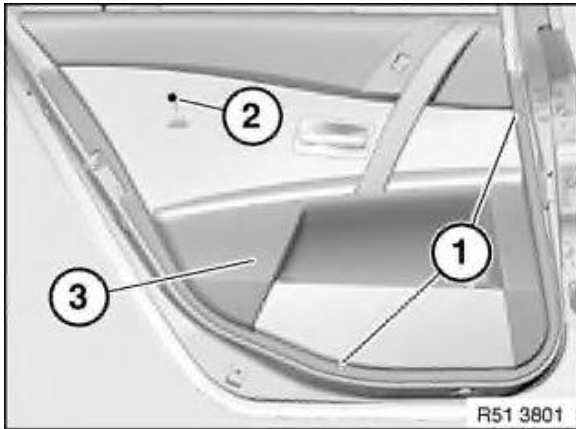
Version with roller sun blind additionally:

Remove roller sun blind on side window:

- retract roller sun blind (1),
- open side window,
- Unclip holder (2) for roller sun blind in direction of arrow.

Installation:

Holder (2) must not be damaged.



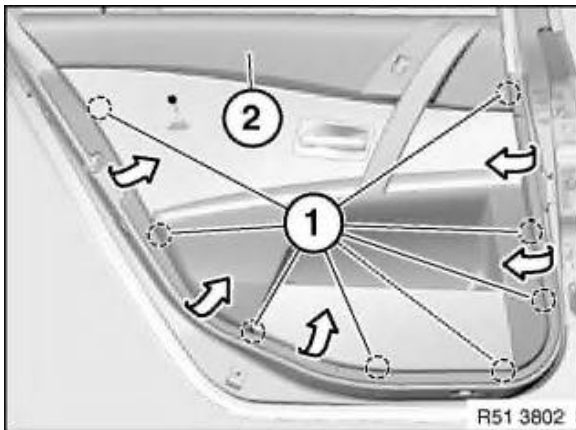
If necessary, lever out airbag emblem (2) with special tool 00 9 317 and release screw underneath.

Tightening torque, 51 42 4AZ .

Release protective caps (1) and screws underneath.

Tightening torque, 51 42 1AZ .

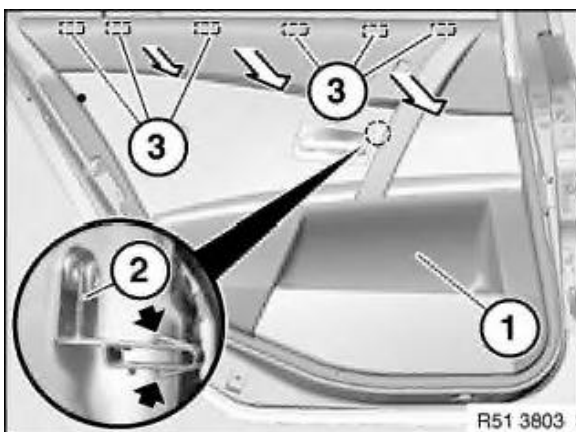
3 Door trim panel



Note:

Start by unclipping door trim panel (2) at bottom.

Unclip clips (1) of door trim panel with special tool 00 9 317 .



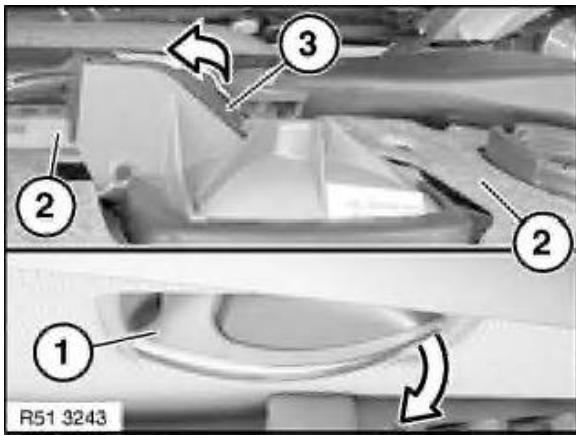
Carefully unclip door trim panel (1) at top from retainers (3).

Feed door trim panel (1) upwards out of central clip mounting and release button.

Installation:

Attach central clip mounting to door trim panel.

Bend open retainers on inner door plate for accommodating central clip (2) for installation.



Unhook Bowden cable for release lever:

- Tighten release lever (1).
- Lever out lock (2).
- Detach Bowden cable (3) towards rear/top.

Installation:

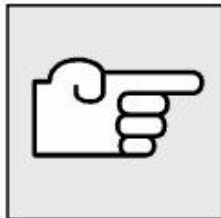
For fitting, press release lever (1) fully onto door trim panel.



Model with side airbag:

Warning!

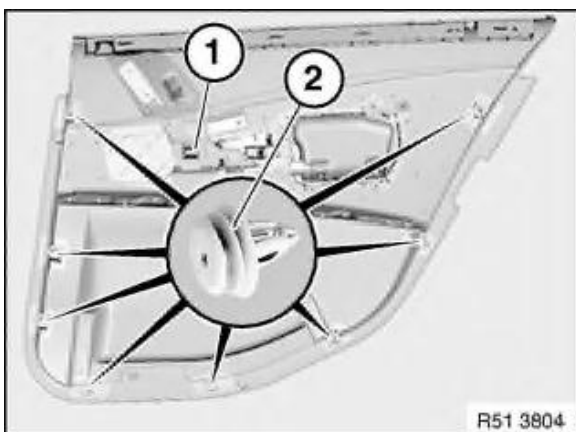
Disconnect plug connection on side airbag.



Disconnect remaining plug connections.
Remove door trim.

Installation:

Connect all plugs to original locations.

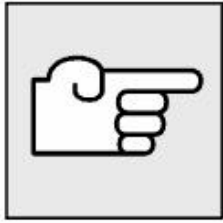


Installation:

All clips (3) are white.

If necessary, replace faulty clips (1).

Attach central clip mounting (1) to door trim panel.



Installation:

After assembling the door trim panel proceed as follows:

- Open door window,
- lock with ignition key,
- check whether linkage of safety lock button can move freely,
- if necessary, align linkage.