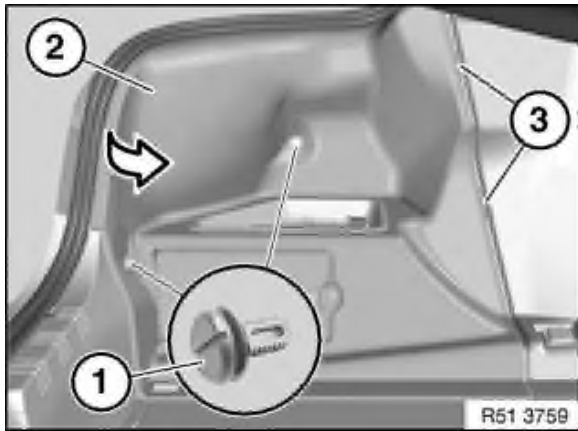


*Necessary preliminary tasks:*

- Remove luggage compartment floor trim panel.

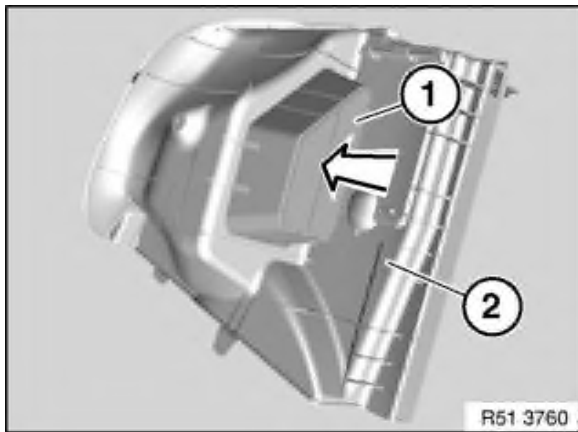


Open rotary clips (1) and remove.

Feed out luggage compartment trim on left side panel (2) in direction of arrow and remove.

*Installation:*

Correctly feed in guides (3) of luggage compartment trim on left side panel (2).



*Replacement:*

If necessary, unclip storage compartment (1) all round and remove in direction of arrow from luggage compartment trim on left side panel (2).