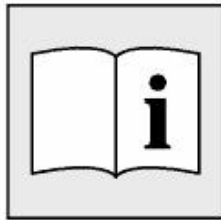
**Special tools required:**

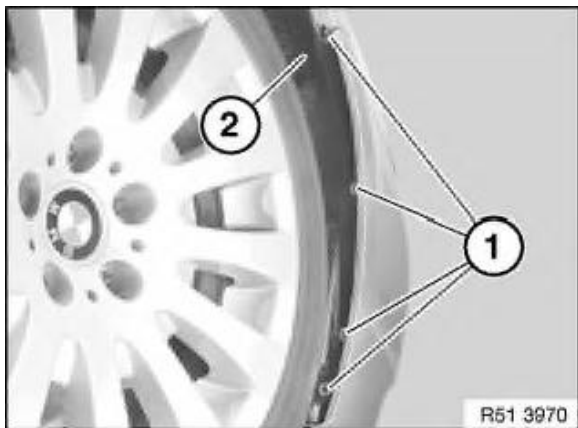
- 00 9 317

*Necessary preliminary tasks:*

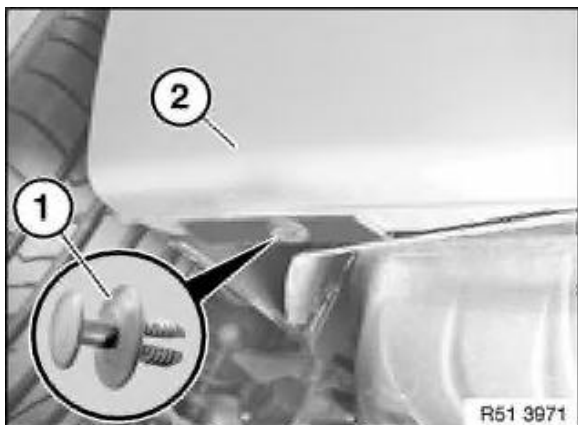
- Partially remove luggage compartment wheel arch trim on left.
- Remove license plate.

Note:

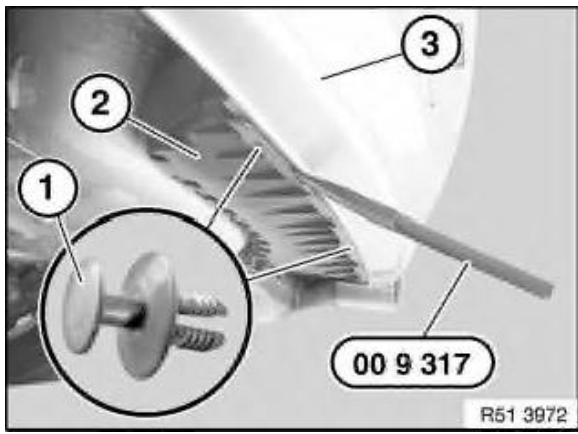
The operation is described on the left side; proceed in the same way for the right side.



Release screws (1) on wheel arch trim (2).

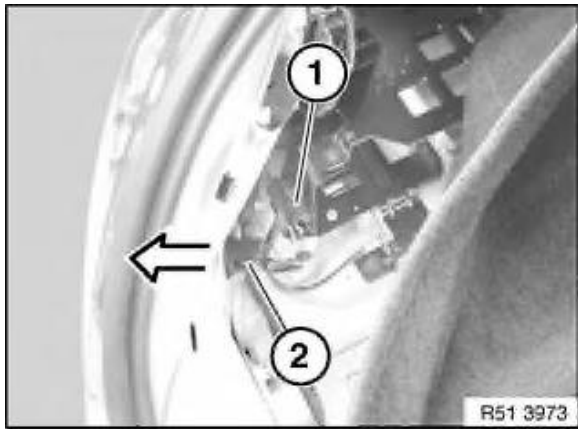


Release expander rivet (1) on bumper trim (2).



Release expander rivet (1) on guide (2).

Unclip guide (2) with special tool 00 9 317 from bumper trim (3).



Disconnect plug connection (1) and feed out wiring harness with cable grommet (2) in direction of arrow.



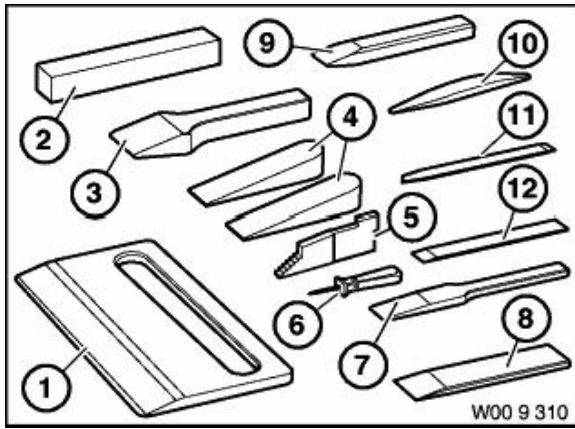
Release expander rivets (1) on bumper trim (2).

Unclip bumper trim (2) to side panel outwards.

Remove bumper trim (2) towards rear (with aid of a 2nd person).

00 9 310 Assembly wedges (13)

Minimum set: Mechanical tools



Note:

For straightening and assembly jobs on vehicle bodies, e.g. fitting trim panels, removing window weatherstrips, repairing small-scale dents, removing residual adhesive materials, measuring gap widths, levering out trim panel parts

Series:

E12, E21, E23, E24, E28, E30, E30/C, E30tou, E31, E32, E32/3, E34, E34tou, E36, E36/2, E36/3, E36/5, E36/7, E36/C, E36tou, E38, E38/3, E39, E39PL, E39tou, E46, E46/16, E46/2, E46/3, E46/5, E46/C, E52, E53, E60, E61, E63, E64, E65, E66, E67, E83, E85, E87, R50, R52, R53, RR1

SI number:

1 02 97(174)

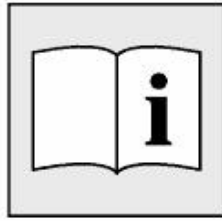
Order number:

00 9 310
Assembly wedges (13)

Consisting of:

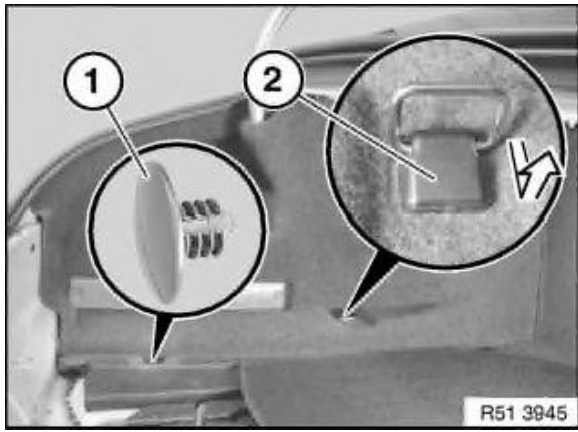
1 = 00 9 311	Trim remover
2 = 00 9 312	Strike wedge, square
3 = 00 9 313	Striking wedge, large
4 = 00 9 314	Adjusting wedges (2 x)
5 = 00 9 315	Gap wedge
6 = 00 9 316	Sealing lip wedge
7 = 00 9 317	Trim panel wedge
8 = 00 9 318	Universal wedge
9 = 00 9 319	Striking wedge, small
10 = 00 9 321	Fishbone
11 = 00 9 322	Adhesive wedge
12 = 00 9 323	Cleaning wedge (scraper)
00 9 329	Case with insert for assembly wedges

In conjunction with: 009310



Necessary preliminary tasks:

- Remove trim on rear apron



Release clip (1).

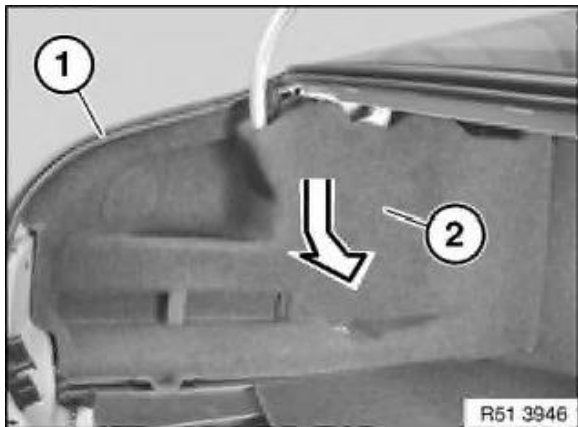
Lever out cover on lashing point (2) and remove.

Release screw underneath and remove lashing point (2) in direction of arrow.

If necessary, remove warning triangle.

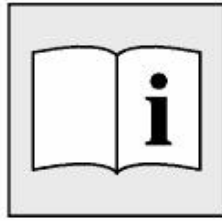
Installation:

Clip (1) and cover on lashing point (2) must not be damaged.

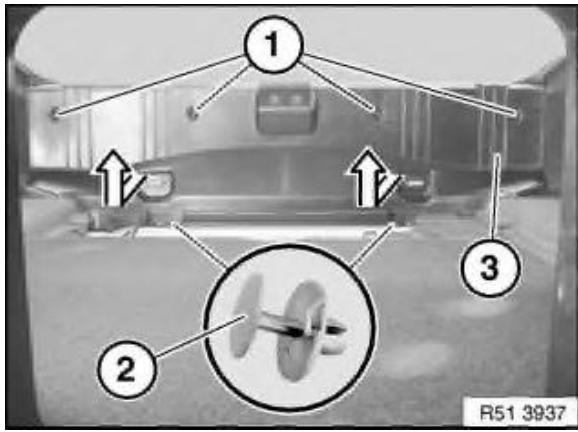


Release mocket (1).

Feed out trim (2) in direction of arrow and remove.

*Necessary preliminary tasks:*

- Remove luggage compartment floor trim (luggage compartment mat).



Release protective caps (1) and screws underneath.

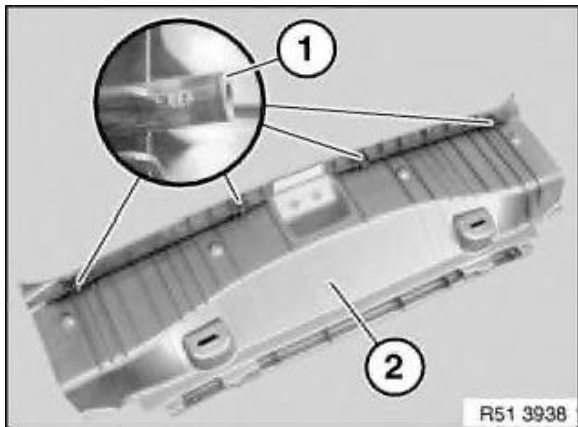
Lever out expander rivets (2).

Lever out trim (3) inwards/upwards.

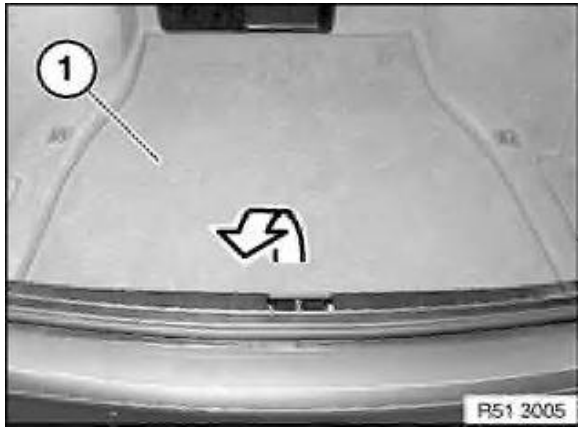
Installation:

Replace damaged protective caps (1) and expander rivets (2).

Make sure rear lid seal is correctly seated.

*Installation:*

Guides (1) of trim (2) must not be damaged.



Open rear lid.

Remove luggage compartment floor trim (1).